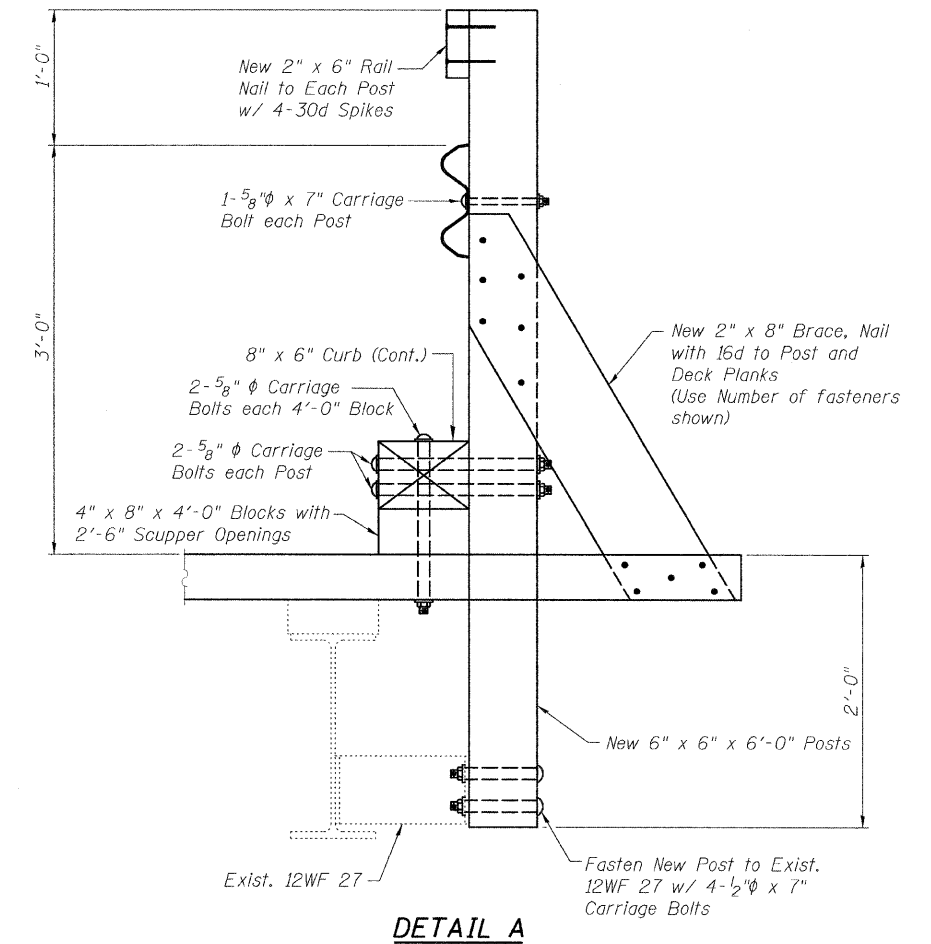
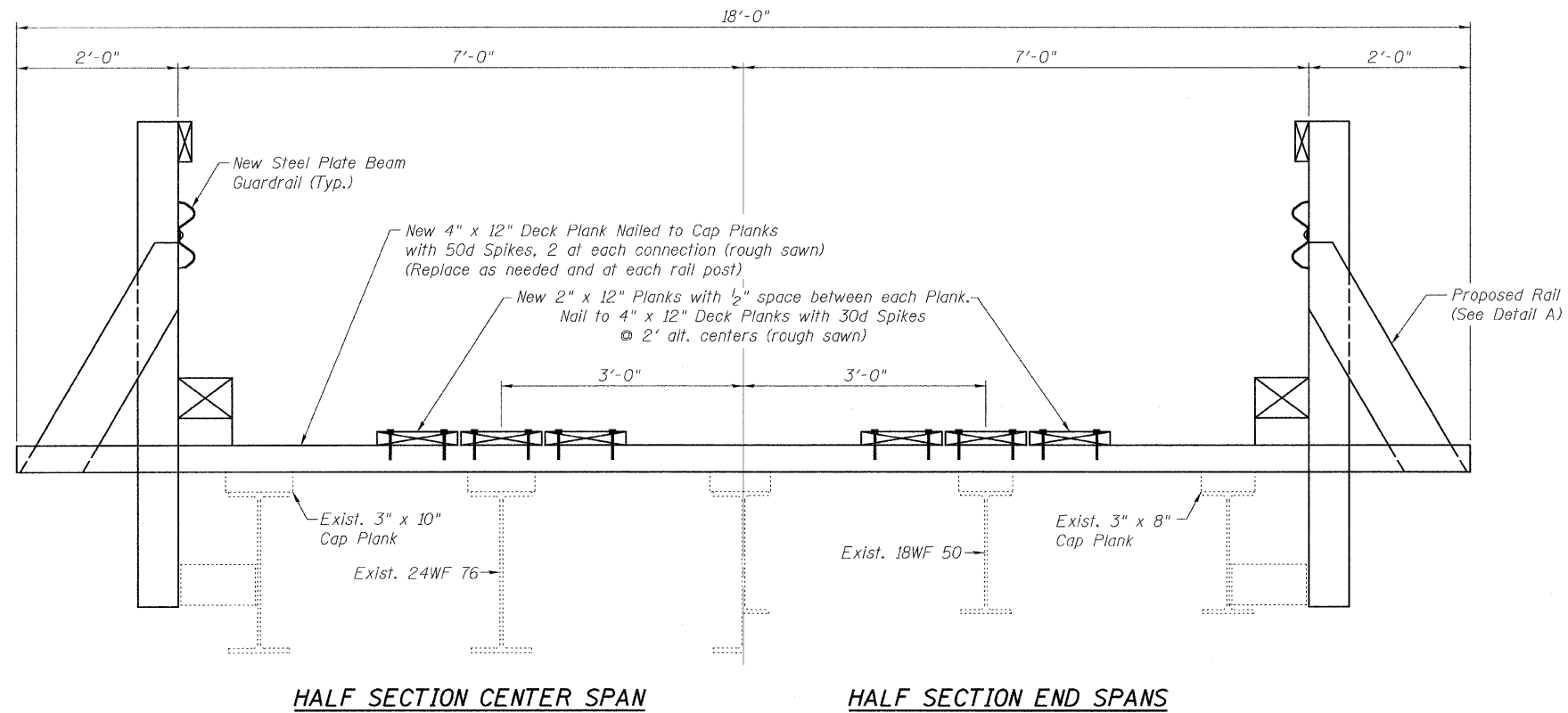


F.A.P. RTE.	SECTION	COUNTY	TOTAL SHEETS	SHEET NO.
		MARION	15	15
STA.		TO STA.		
FED. ROAD DIST. NO.	ILLINOIS	FED. AID PROJECT		



Note: Cost of 2 x 8 brace, new post, steel plate beam section, 2 x 6 top rail, and bridge rail hardware included with "Bridge Rail".

DESIGNED	F.L.L.
CHECKED	M.A.H.
DRAWN	F.L.L.
CHECKED	M.A.H.

PLOT DATE = #DATE#
FILE NAME = #FILES#

SUPERSTRUCTURE DETAILS
BIOSTATION BRIDGE
STEPHEN FORBES STATE PARK
MARION COUNTY
STRUCTURE NO. 061-9201