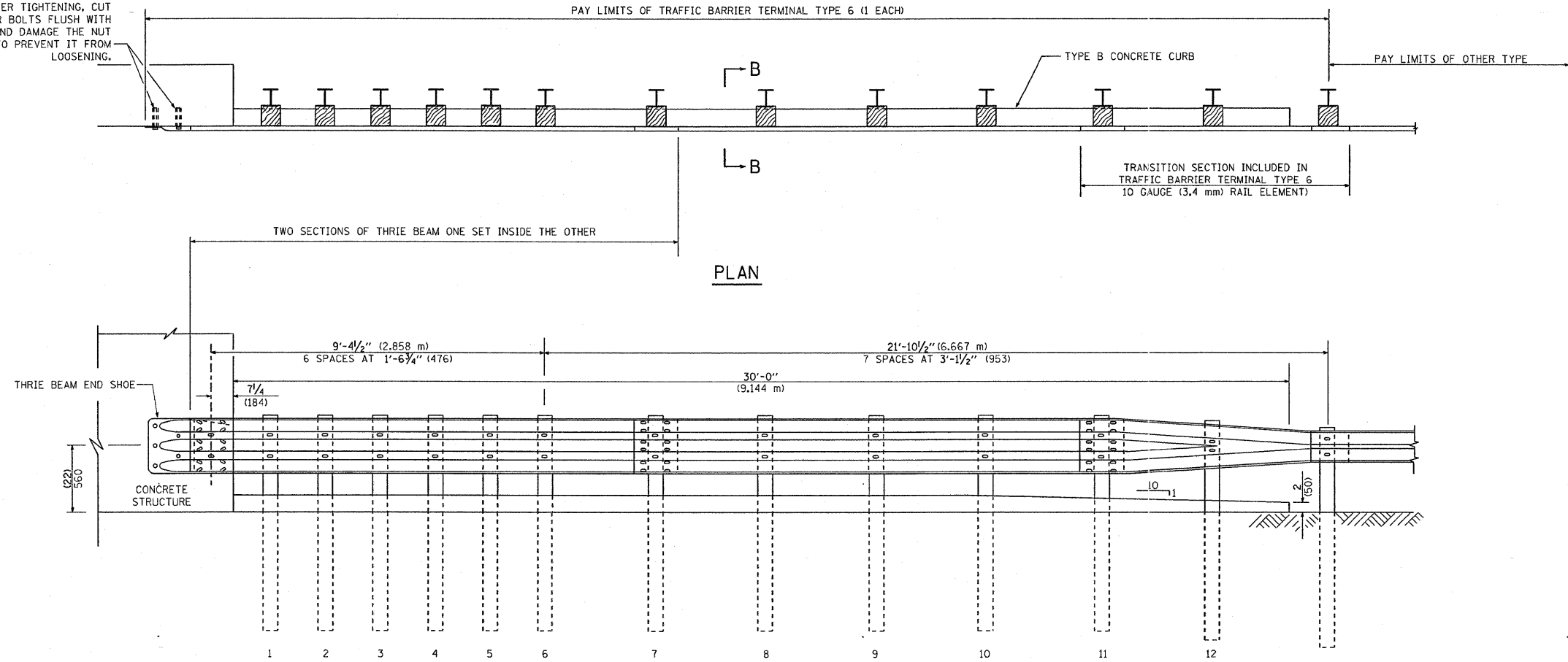


5 EPOXY GROUTED $\frac{3}{4}$ " (M20) ANCHOR BOLTS WITH STANDARD WASHERS. AFTER TIGHTENING, CUT THE ANCHOR BOLTS FLUSH WITH NUTS, AND DAMAGE THE NUT TO PREVENT IT FROM LOOSENING.

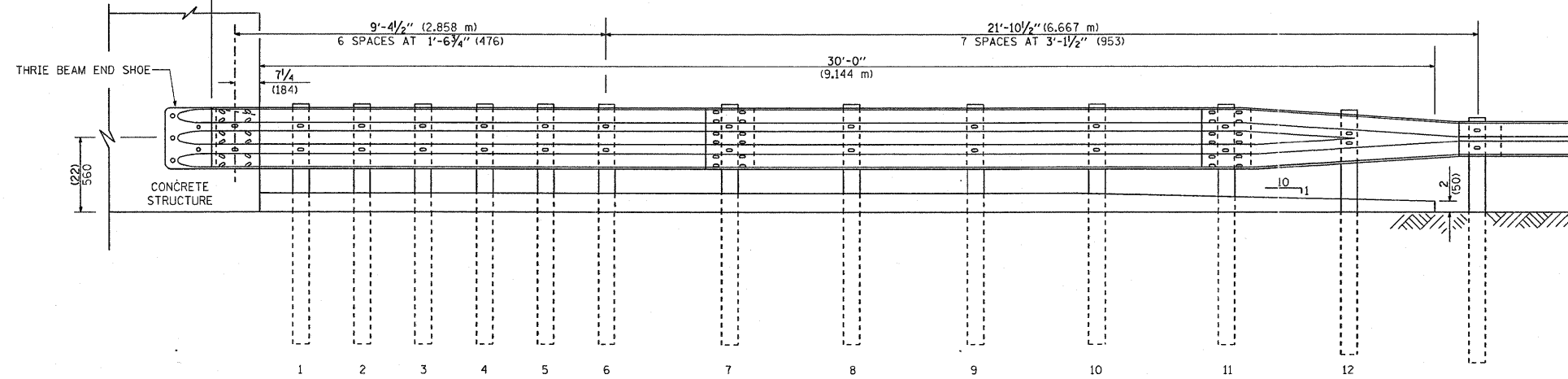
OTHER CONCRETE STRUCTURE

PAY LIMITS OF TRAFFIC BARRIER TERMINAL TYPE 6 (1 EACH)

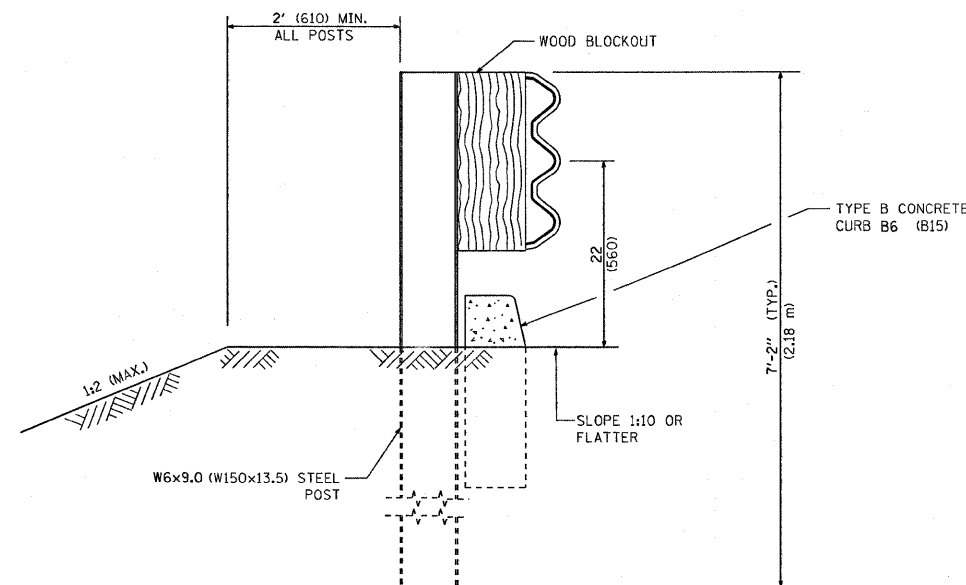
PAY LIMITS OF OTHER TYPE



ELEVATION



SECTION B-B



FILE NAME = c:\Projects\diststd2007\bn22.dgn	USER NAME = bauerdl	DESIGNED - DRAWN -	REVISED - STATE STANDARD: 631031-05 - 02/19/2008	STATE OF ILLINOIS DEPARTMENT OF TRANSPORTATION	TYPE 6 TERMINAL FOR USE WITH 21" HIGH SPBGR		F.A.U. RTE. 1339	SECTION 0101-311 HB-I	COUNTY Cook	TOTAL SHEETS 12	SHEET NO. 11
PLOT SCALE = 50.0000" / IN.	CHECKED -	REVISED -	REVISED -		SCALE: NONE	SHEET NO. 2 OF 3 SHEETS	STA.	TO STA.	CONTRACT NO. 60c44		
PLOT DATE = 2/21/2008	DATE -	REVISED -	REVISED -		FED. ROAD DIST. NO. 1 ILLINOIS FED. AID PROJECT						