

**NOTES:**

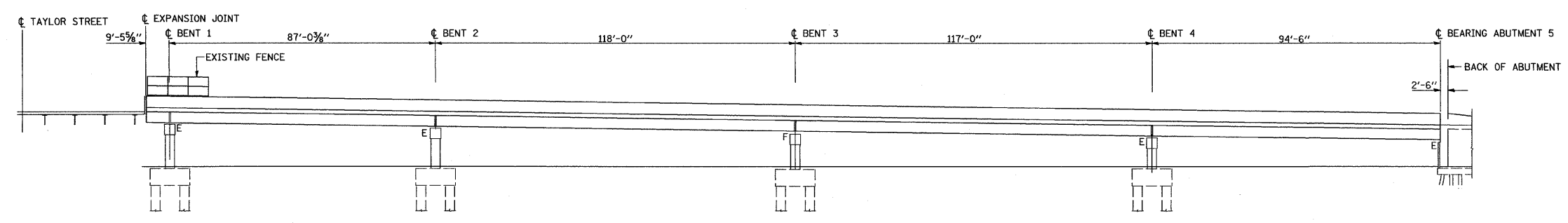
PLAN DIMENSIONS AND DETAILS RELATIVE TO EXISTING PLANS ARE SUBJECT TO ROUTINE VARIATIONS. THE CONTRACTOR SHALL FIELD VERIFY EXISTING DIMENSIONS AND DETAILS AFFECTING NEW CONSTRUCTION AND MAKE NECESSARY APPROVED ADJUSTMENTS PRIOR TO CONSTRUCTION OR ORDERING OF MATERIALS. SUCH VARIATIONS SHALL NOT BE CAUSE FOR ADDITIONAL COMPENSATION FOR A CHANGE IN SCOPE OF THE WORK, HOWEVER, THE CONTRACTOR WILL BE PAID FOR THE QUANTITY ACTUALLY FURNISHED BASED UPON THE UNIT PRICE BID FOR THE WORK.

REINFORCEMENT BARS SHALL CONFORM TO THE REQUIREMENTS OF ASTM A706 Gr 60 (IL MODIFIED). SEE SPECIAL PROVISIONS.

EXISTING REINFORCEMENT BARS EXTENDING INTO THE REMOVAL AREA SHALL BE CLEANED, STRAIGHTENED AND INCORPORATED INTO THE NEW CONSTRUCTION. ANY REINFORCEMENT BARS THAT ARE DAMAGED DURING CONCRETE REMOVAL SHALL BE REPLACED WITH APPROVED BAR SPLICER OR ANCHORAGE SYSTEM. COST INCLUDED WITH CONCRETE REMOVAL.

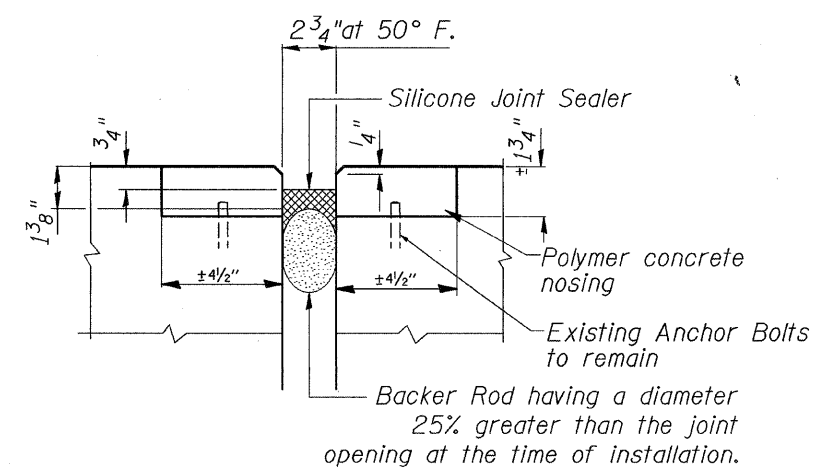
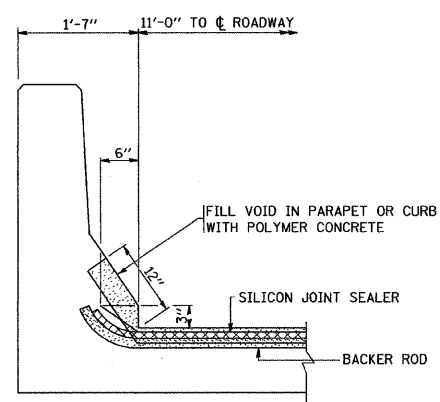
PRIOR TO POURING THE NEW CONCRETE DECK, ALL HEAVY OR LOOSE RUST, LOOSE MILL SCALE, AND OTHER LOOSE OR POTENTIALLY DETRIMENTAL FOREIGN MATERIAL SHALL BE REMOVED FROM THE SURFACES IN CONTACT WITH CONCRETE. TIGHTLY ADHERED PAINT MAY REMAIN UNLESS OTHERWISE NOTED. REMOVAL SHALL BE ACCOMPLISHED BY METHODS THAT WILL NOT DAMAGE THE STEEL AND THE COST WILL BE INCLUDED IN THE PAY ITEM COVERING REMOVAL OF THE EXISTING CONCRETE.

JOINT OPENINGS SHALL BE ADJUSTED ACCORDING TO ARTICLE 520.04 OF THE STD. SPECS. WHEN THE DECK IS POURED AT AN AMBIENT TEMPERATURE OTHER THAN 50 ° F.



**TOTAL BILL OF MATERIALS**

DESCRIPTION	UNIT	QUANTITY
REINFORCEMENT BARS (EPOXY COATED)	POUND	980
CONCRETE SUPERSTRUCTURE	CU. YDS	6.4
CONCRETE REMOVAL	CU. YDS	6.3
SILICONE JOINT SEALER, 2 3/4"	FOOT	23
POLYMER CONCRETE	CU. FT.	3.12
PREFORMED JOINT STRIP SEAL	FOOT	35.7
REMOVING AND RE-ERECTING EXISTING RAILING	FOOT	30



FILE NAME = c:\projects\struct1\016-1165.dgn	USER NAME = hamdanah	DESIGNED -	REVISED -	<b>STATE OF ILLINOIS DEPARTMENT OF TRANSPORTATION</b>	<b>TAYLOR STREET OVER I-90 / 94 BRIDGE REPAIRS S.N. 016-1165 AND S.N. 016-2535</b>		F.A.J. RTE. 1438	SECTION 2626.23 B-1	COUNTY COOK	TOTAL SHEETS 12	SHEET NO. 4	
PLOT SCALE = 50.0000 "/ IN.	CHECKED -	REVISED -	REVISED -		SCALE: NONE	SHEET NO. 1 OF 5 SHEETS	STA.	TO STA.	CONTRACT NO. 60C46			
PLOT DATE = 3/19/2008	DATE -	REVISED -	REVISED -		FED. ROAD DIST. NO. 1 ILLINOIS FED. AID PROJECT							