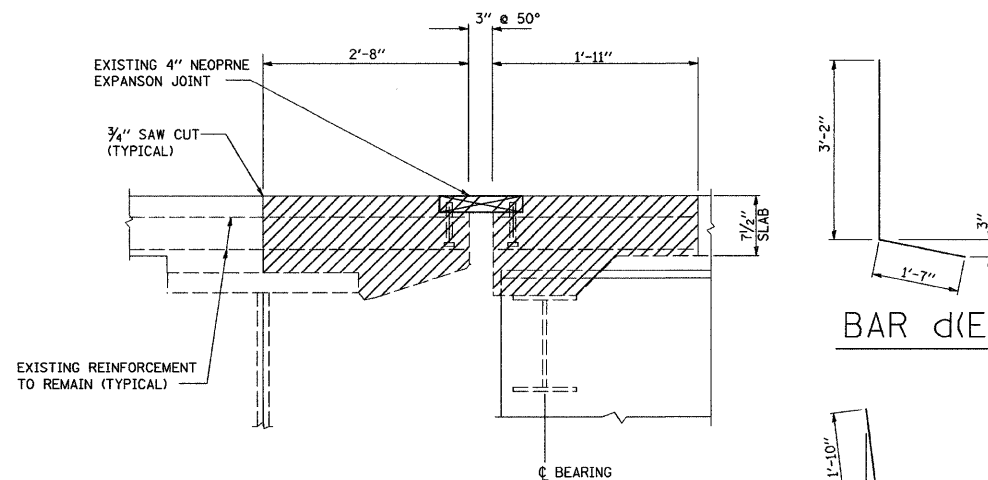
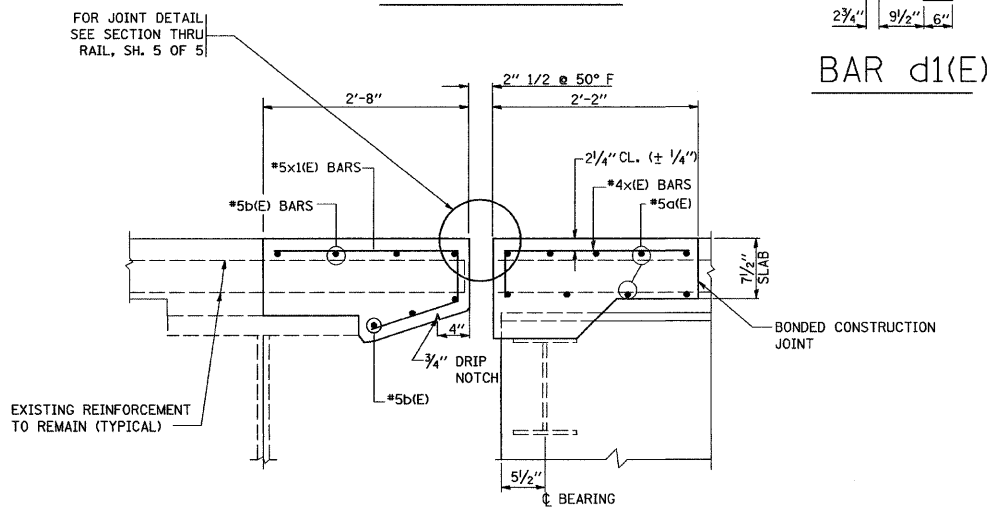


**EXPANSION JOINT PLAN
AT ENTRANCE RAMP N.B.**

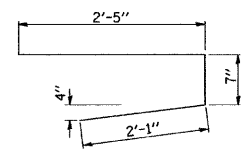
FOR VIEW D-D SEE SHEET 3 OF 5
FOR VIEW C-C SEE SHEET 4 OF 5



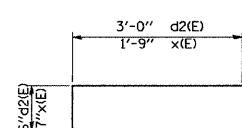
**SECTION A-A
(EXISTING)**



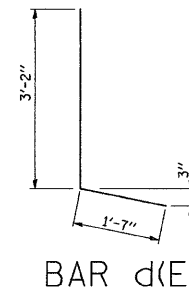
**SECTION A-A
(PROPOSED)**



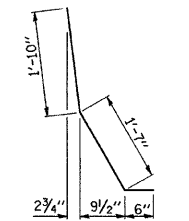
BAR x1(E)



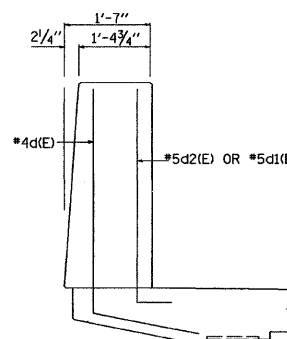
BAR x(E) & d2(E)



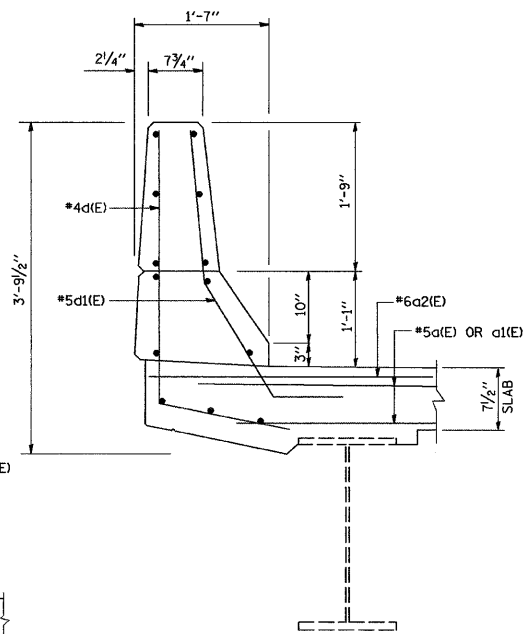
BAR d(E)



BAR d1(E)



SECTION E-E



SECTION B-B

BILL OF MATERIALS

BAR	NO.	SIZE	LENGTH	SHAPE
d(E)	4	#5	24'-6"	U
d1(E)	4	#5	13'-0"	U
d2(E)	8	#6	4'-0"	U
b(E)	8	#5	32'-3"	U
d(E)	6	#4	4'-9"	L
d1(E)	2	#5	3'-11"	L
d2(E)	4	#5	3'-6"	L
x(E)	34	#5	2'-4"	L
x1(E)	59	#5	5'-1"	L
CONCRETE REMOVAL			CU. YD.	5.6
REINFORCEMENT BAR (EPOXY COATED)			POUND	920
CONCRETE SUPERSTRUCTURE			CU. YD.	5.7
PREFORMED JOINT STRIP SEAL			FOOT	35.7

NOTES:

REINFORCEMENT BARS DESIGNATED (E) SHALL BE EPOXY COATED.

LEGEND

INDICATES CONCRETE REMOVAL

FILE NAME = c:\projects\struct1\016-1165.dgn	USER NAME = hmdnrah	DESIGNED -	REVISED -
PLOT SCALE = 50.0000' / IN.	CHECKED -	DRAWN -	REVISED -
PLOT DATE = 3/19/2008	DATE -	REVISIONS -	REVISED -

**STATE OF ILLINOIS
DEPARTMENT OF TRANSPORTATION**

TAYLOR STREET AND OVER I-90 /94 (DAN RYAN EXPRESSWAY) BRIDGE JOINT REPAIRS S.N. 016-1165 AND S.N. 016-2535			
SCALE: NONE	SHEET NO. 2 OF 5 SHEETS	STA.	TO STA.

F.A.U. RTE. 1438	SECTION 2626.23 B-I	COUNTY COOK	TOTAL SHEETS 12	SHEET NO. 5
CONTRACT NO. 60C46				
FED. ROAD DIST. NO. 1 ILLINOIS FED. AID PROJECT				