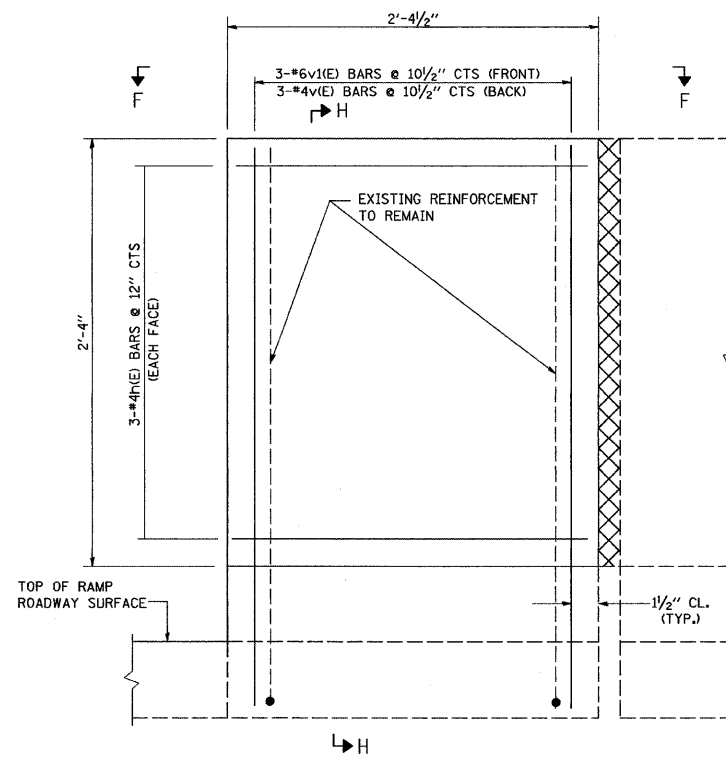
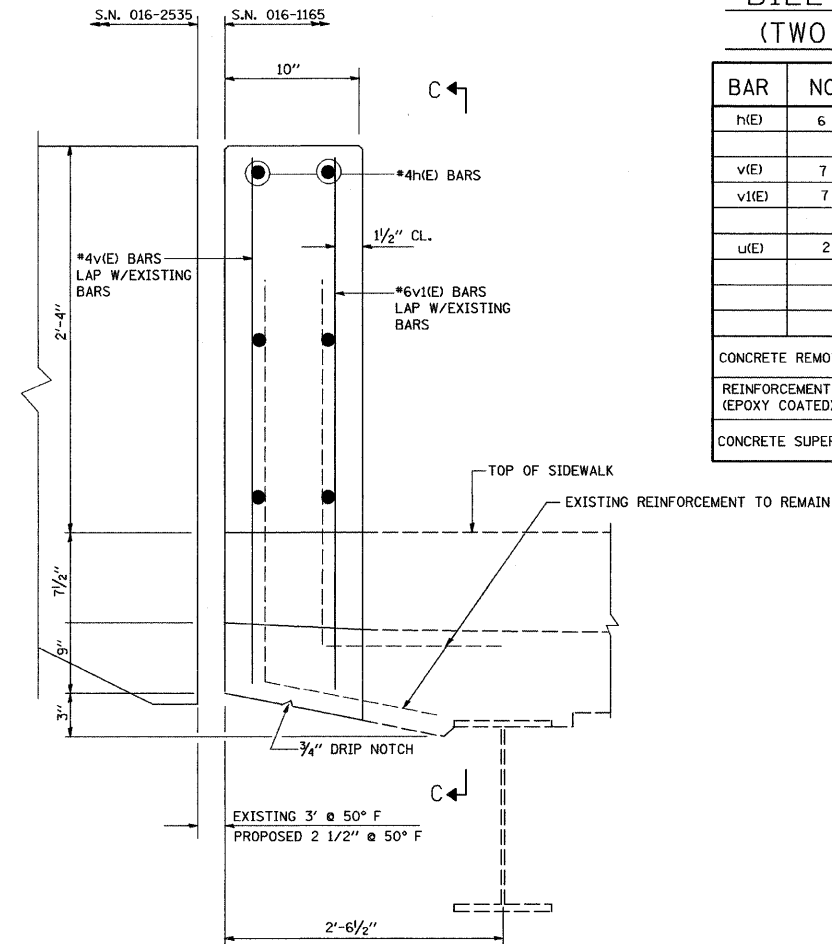


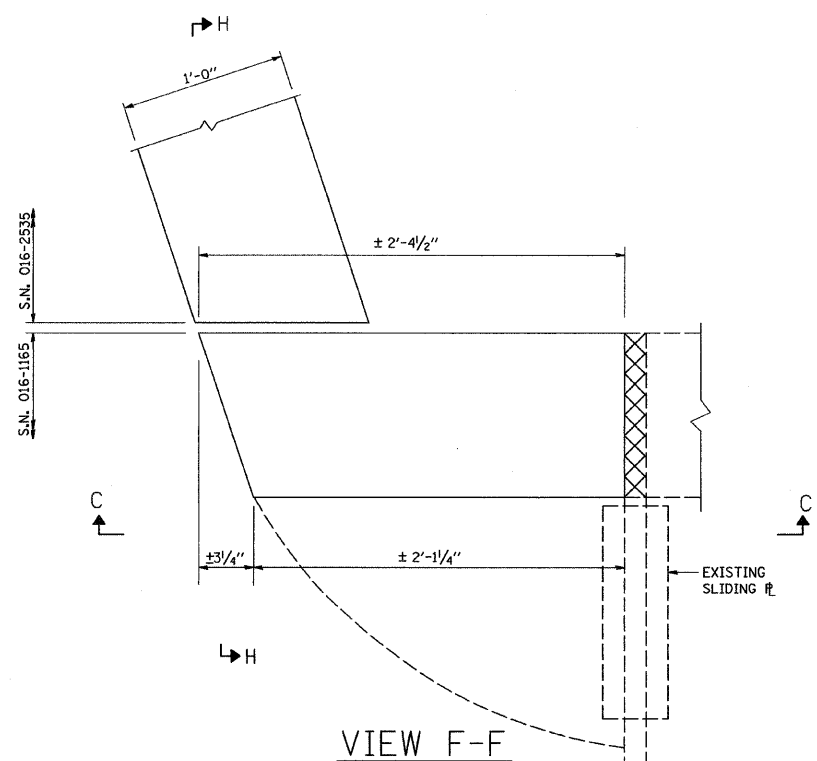
SECTION C-C  
EXISTING BARRIER WALL



SECTION C-C  
PROPOSED BARRIER WALL



SECTION H-H



VIEW F-F

BILL OF MATERIALS  
(TWO BARRIER WALLS)

BAR	NO.	SIZE	LENGTH	SHAPE
h(E)	6	#4	2'-0"	—
v(E)	7	#4	3'-5"	—
v1(E)	7	#6	3'-6"	—
u(E)	2	#4	1'-3 3/4"	□
CONCRETE REMOVAL			CU. YDS.	0.7
REINFORCEMENT BAR (EPOXY COATED)			POUND	60
CONCRETE SUPERSTRUCTURE			CU. YDS.	0.7

LEGEND  
 INDICATES CONCRETE REMOVAL

FILE NAME = c:\projects\struct1\016-1165.dgn	USER NAME =	DESIGNED -	REVISED -
		DRAWN -	REVISED -
		CHECKED -	REVISED -
		DATE -	REVISED -

STATE OF ILLINOIS  
DEPARTMENT OF TRANSPORTATION

TAYLOR STREET OVER I-90 /94 (DAN RYAN EXPRESSWAY)  
BRIDGE JOINT REPAIRS  
S.N. 016-1165 AND S.N. 016-2535  
SCALE: NONE SHEET NO. 4 OF 5 SHEETS STA. TO STA.

F.A.U. RTE. 1438	SECTION 2626.23 B-I	COUNTY COOK	TOTAL SHEETS 12	SHEET NO. 7
CONTRACT NO. 60C46				
FED. ROAD DIST. NO. 1 ILLINOIS FED. AID PROJECT				