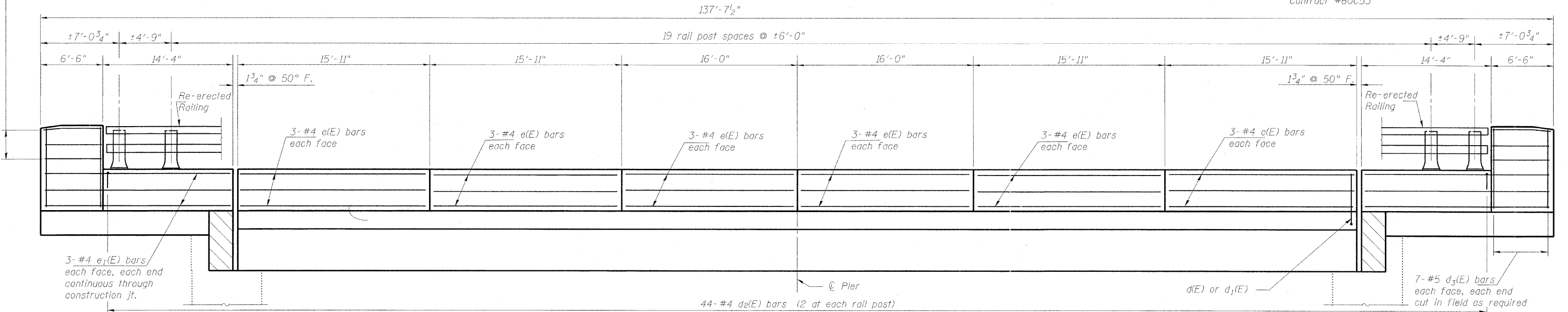


STATE OF ILLINOIS  
DEPARTMENT OF TRANSPORTATION

ROUTE NO.	SECTION	COUNTY	TOTAL SHEETS	SHEET NO.	SHEET NO. 11 16 SHEETS
FAP 311	625X-B-R-1	DuPage	29	19	
FED. ROAD DIST. NO. 7		ILLINOIS	FED. AID PROJECT-		

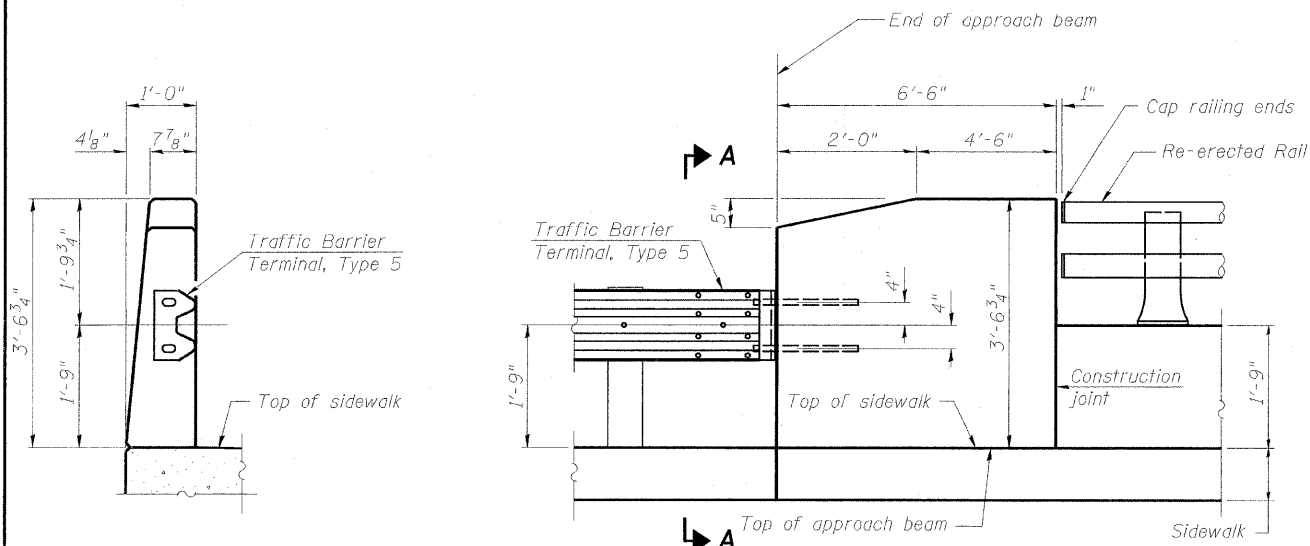
Contract #60053

3-#4 e<sub>2</sub>(E) bars,  
each face, each end  
Bend in field as required.

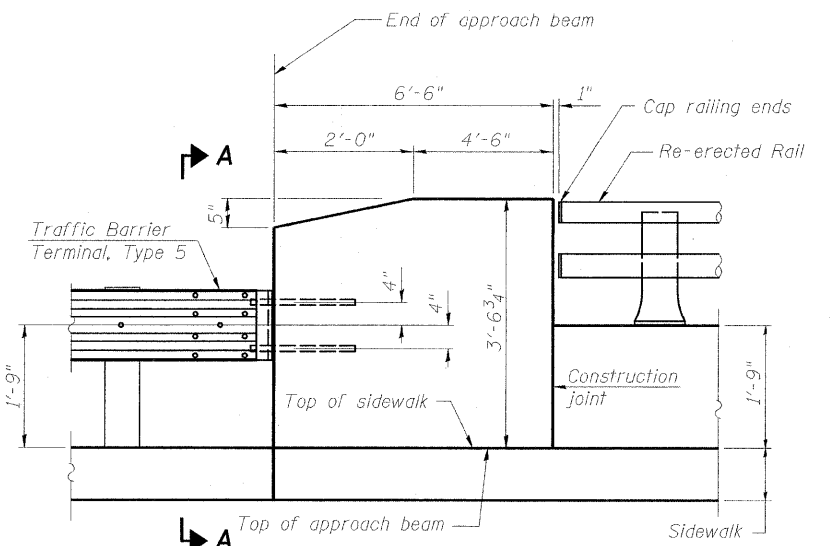


**ELEVATION OF PARAPETS**

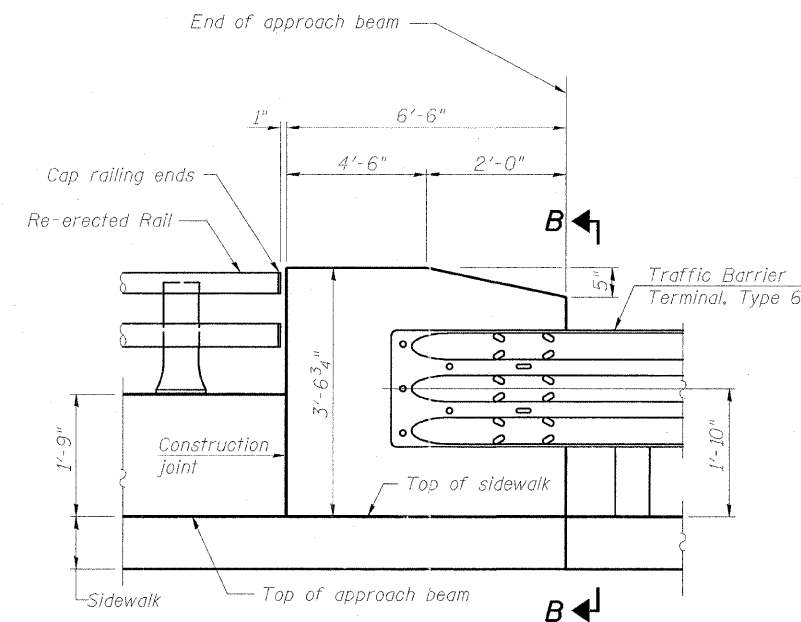
Note: Contractor shall measure existing rail post spacing and make any adjustments to parapet dimensions as required prior to constructing parapets.



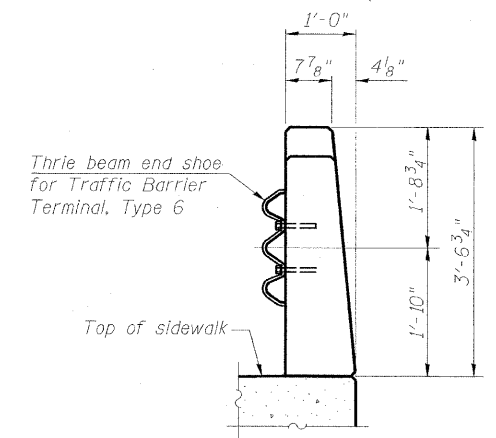
**SECTION A-A**



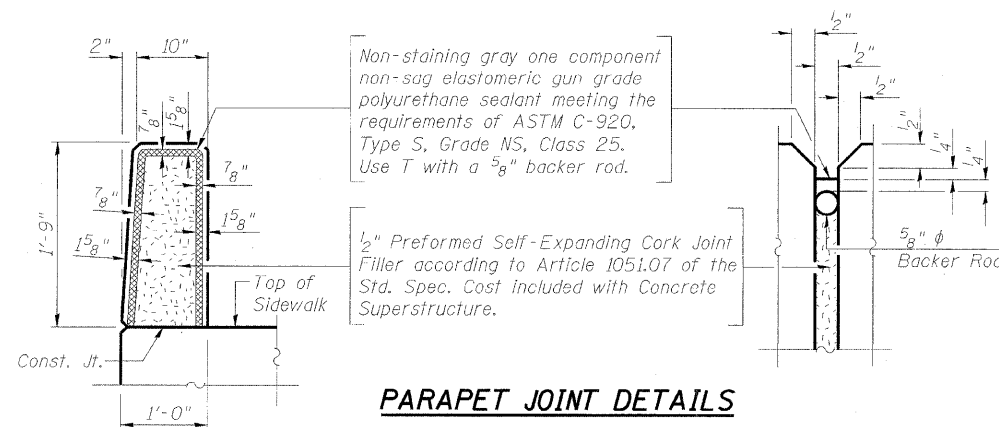
**INSIDE ELEVATION OF PARAPET AT NW AND SE CORNERS**



**INSIDE ELEVATION OF PARAPET AT NE AND SW CORNERS**



**SECTION B-B**



**PARAPET JOINT DETAILS**

DESIGNED	DDB
CHECKED	LLV
DRAWN	JSD
CHECKED	DDB

**PARAPETS**  
F.A.P. 311 (US RTE. 34)  
OVER W BRANCH OF DU PAGE RIVER  
SECTION 625X-B-R-1,  
DU PAGE COUNTY, STA. 1701+11  
STRUCTURE NO. 022-0040

**STS CONSULTANTS**  
111 NE Jefferson Ave.  
Peoria, Illinois 61602  
Ph (309) 676-8464  
FAX (309) 676-5445  
IL Design Firm Reg. No. 184-001518