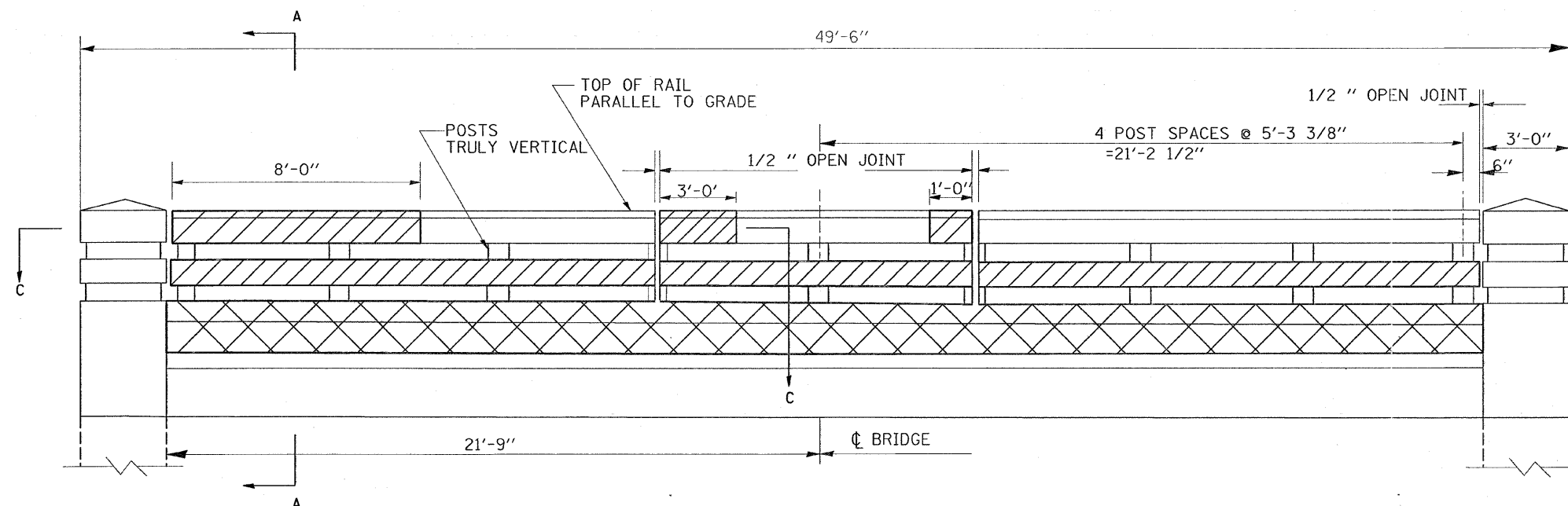
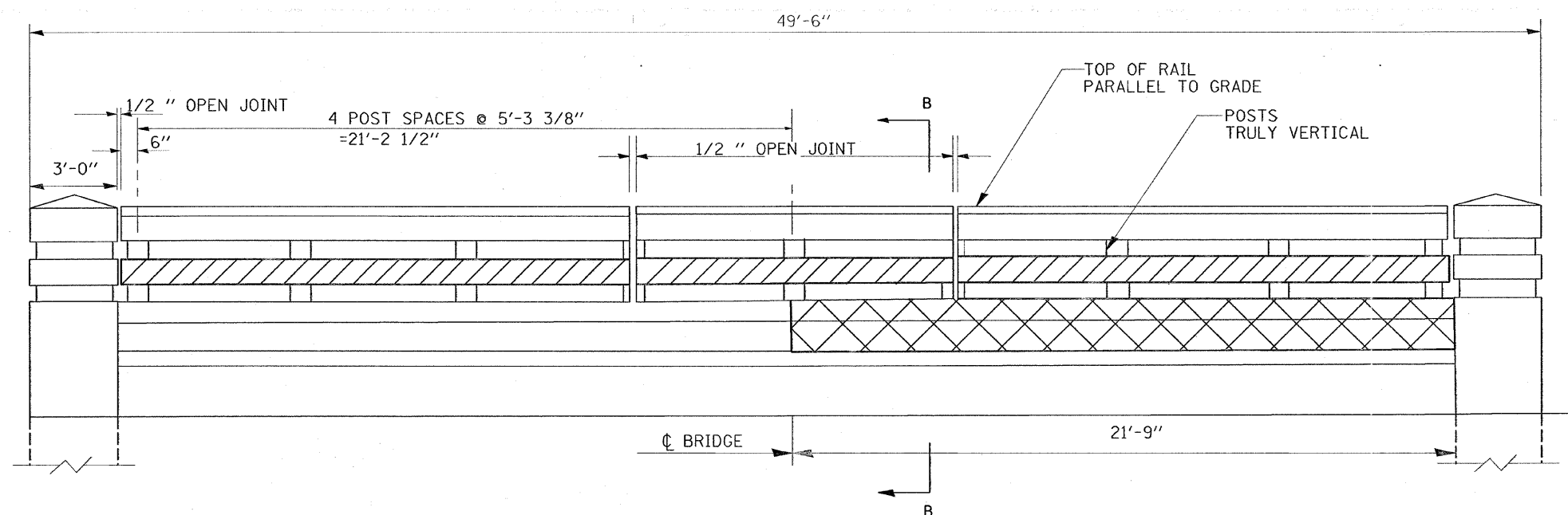


F.A.P. RTE.	SECTION	COUNTY	TOTAL SHEETS	SHEET NO.
305	2007-028 RS	COOK	35	11
STA.		TO STA.		
FED. ROAD DIST. NO. 1		ILLINOIS	FED. AID PROJECT	



NORTH ELEVATION
(LOOKING SOUTH)



SOUTH ELEVATION
(LOOKING NORTH)

- HATCHED AREAS INDICATE "STRUCTURAL REPAIR TO CONCRETE DEPTH EQUAL TO OR LESS THAN 5 INCHES"
- CROSSHATCHED AREAS INDICATE "STRUCTURAL REPAIR TO CONCRETE DEPTH GREATER THAN 5 INCHES"

REVISIONS	
NAME	DATE

ILLINOIS DEPARTMENT OF TRANSPORTATION

CONCRETE REMOVAL
SN 016-0535

SCALE: VERT.
HORIZ.
DATE

DRAWN BY
CHECKED BY