

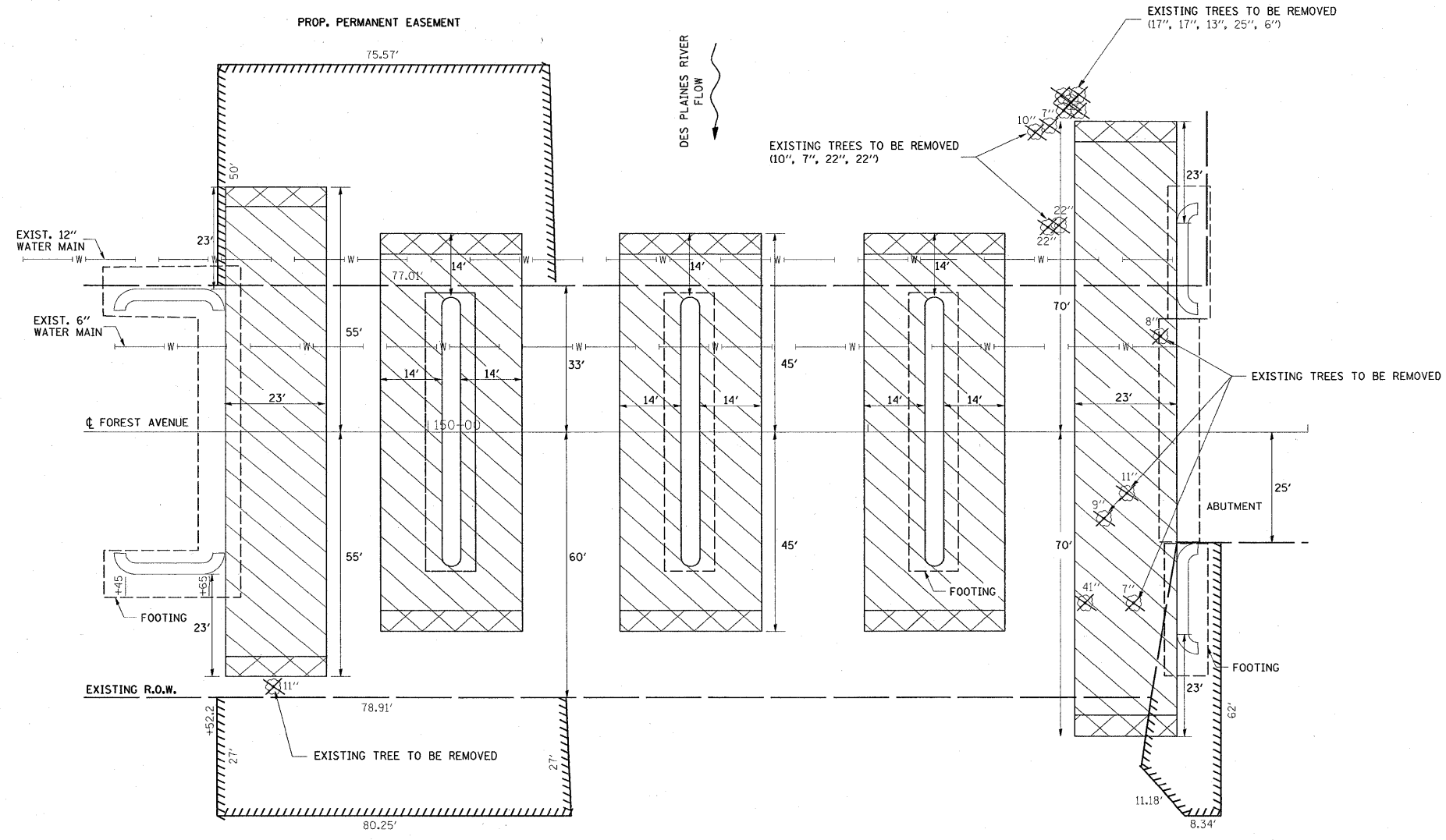
ELEVATION



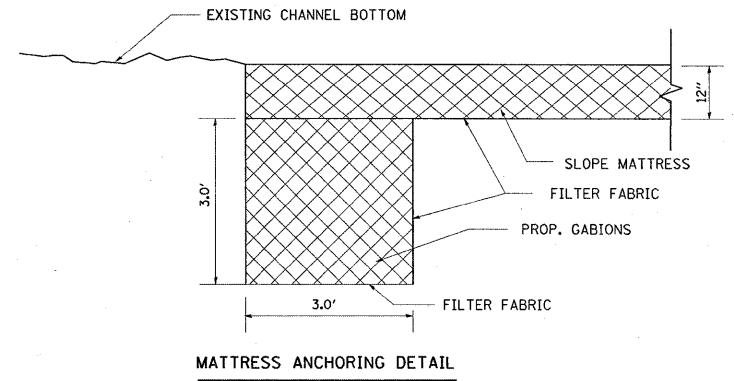
ACCESS TO THIS SITE IS LIMITED. THE CONTRACTOR SHALL ONLY ACCESS THIS SITE BY RAISING AND/OR LOWERING ALL EQUIPMENT AND MATERIAL OVER THE SIDES OF THE BRIDGE. THE CONTRACTOR WILL NOT BE ALLOWED OTHER ACCESS WITHOUT WRITTEN PERMISSION FROM THE ENGINEER. THIS WORK WILL NOT BE PAID FOR SEPARATELY, BUT SHALL BE CONSIDERED AS INCLUDED IN THE CONTRACT UNIT PRICES FOR THE CONSTRUCTION ITEMS INVOLVED AND NO ADDITIONAL COMPENSATION WILL BE ALLOWED

- TBM: CUT ON WINGWALL (NE CORNER OF WINGWALL)
EL. = 617.89
- BM: CONCRETE POST WITH REBAR, LOCATED 332' W. OF BRIDGE AND 37' S OF ϕ OF FOREST AVE. (C.C. #406)
EL. = 614.60
- BM: NORTHWEST HANDRAIL POST - CHISLED SQUARE
EL. = 618.42

NOTES:
GABIONS SHALL BE PLACED AT THE UPSTREAM AND DOWNSTREAM ENDS OF THE PROPOSED SLOPE MATTRESS ACROSS THE CHANNEL
SLOPE MATTRESS SHALL BE SECURELY WIRED DOWN TO THE GABIONS IN ACCORDANCE WITH THE REQUIREMENTS OF ARTICLE 284 OF THE STANDARD SPECIFICATIONS



PLAN



FILE NAME = c:\projects\117183\des_bridges.dgn	USER NAME = SMITHKL	DESIGNED -	REVISED -	STATE OF ILLINOIS DEPARTMENT OF TRANSPORTATION	COUNTERMEASURE PLACEMENT DETAIL FOREST AVE. OVER THE DES PLAINES RIVER	F.A.U. RTE. 1472	SECTION 2007-045 I	COUNTY COOK	TOTAL SHEETS 12	SHEET NO. 5
PLOT SCALE = 50.0000' / IN.	CHECKED -	REVISED -	SCALE:			SHEET NO. OF SHEETS STA. TO STA.	FED. ROAD DIST. NO. 1 [ILLINOIS] FED. AID PROJECT			
PLOT DATE = 2/28/2008	DATE -	REVISED -	CONTRACT NO. 60D35							