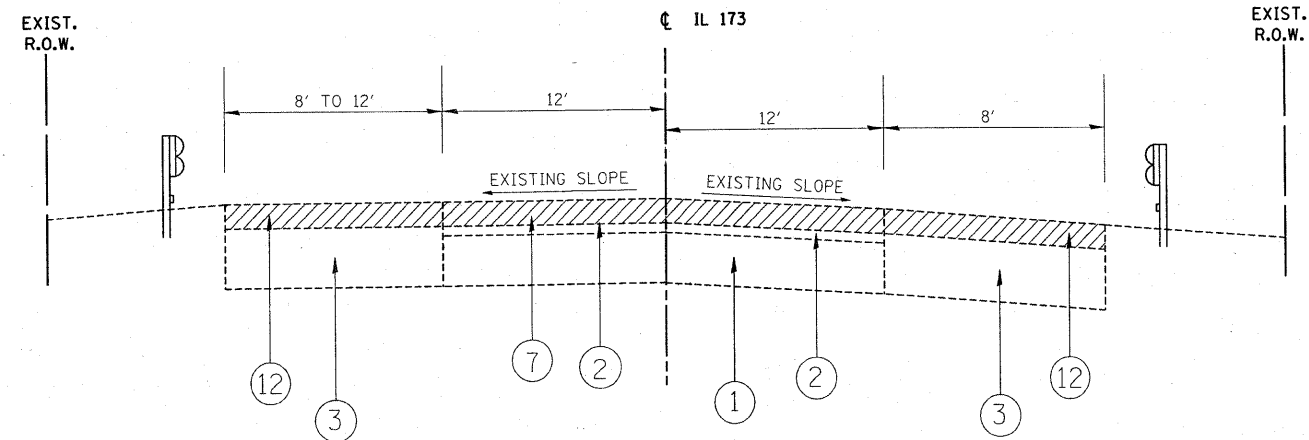
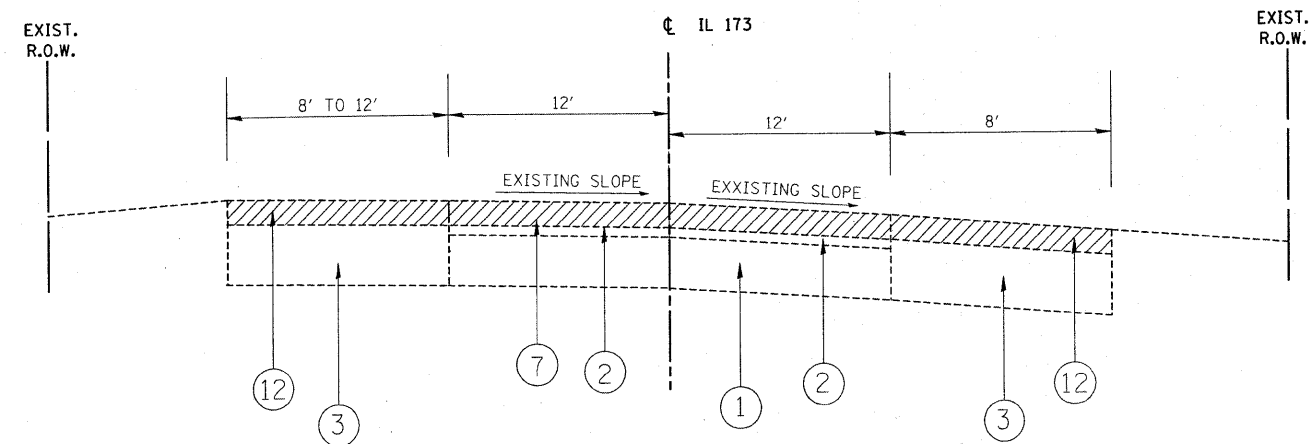


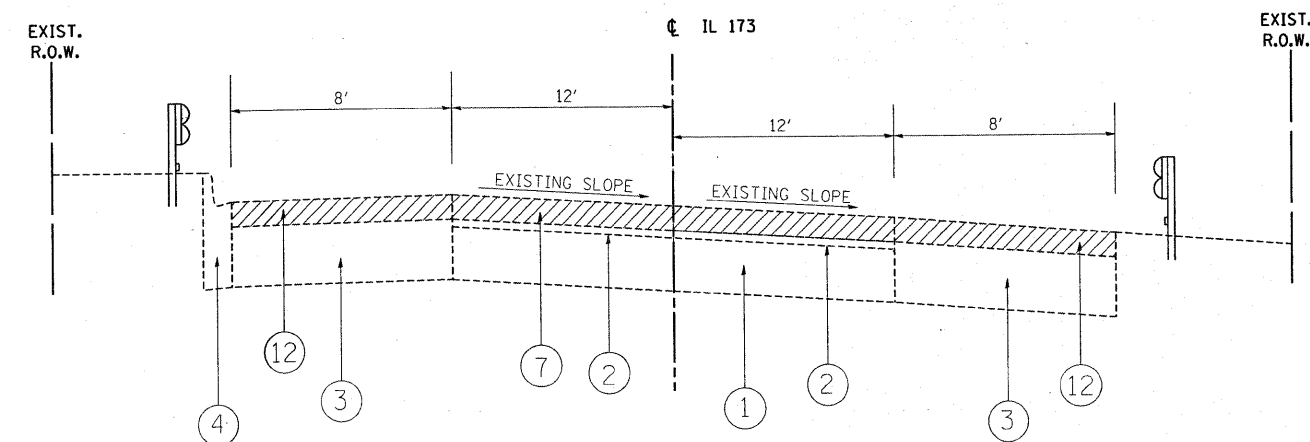
EXISTING TYPICAL SECTION IL 173
STA. 94+00 TO STA. 94+51.02



EXISTING TYPICAL SECTION IL 173
STA. 108+00 TO STA. 109+00



EXISTING TYPICAL SECTION IL 173
STA. 94+93.96 TO STA. 95+00



EXISTING TYPICAL SECTION IL 173
STA. 95+72.92 TO STA. 107+00

LEGEND:

- ① EXISTING P.C.C. PAVEMENT, 8" (±)
- ② EXISTING HMA OVERLAY, 6" (±)
- ③ EXISTING HMA SHOULDERS
- ④ EXISTING COMBINATION CONCRETE CURB & GUTTER, TYPE B-6.24
- ⑤ EXISTING AGGREGATE SHOULDERS
- ⑥ EXISTING AGGREGATE SIDEWALK
- ⑦ PROPOSED HMA SURFACE REMOVAL, 2 1/2" (FOR BRIDGE, USE 2")
- ⑧ PROPOSED LEVELING BINDER (MACHINE METHOD) N70, 3/4 "
- ⑨ PROPOSED POLYMERIZED HMA SURFACE COURSE, MIX "F", N90, 1 3/4 " (FOR BRIDGE, USE 2")
- ⑩ PROPOSED AGGREGATE WEDGE SHOULDER, TYPE B
- ⑪ PROPOSED STRIP REFLECTIVE CRACK CONTROL TREATMENT
- ⑫ PROPOSED HMA SURFACE REMOVAL, 1"
- ⑬ PROPOSED HMA SURFACE COURSE, MIX "D" N70, 1-1/2" & VARIES
- APPLIES ONLY TO HMA SHOULDER

FILE NAME = c:\projects\dl01108\design_aa.dgn	USER NAME = galbannb	DESIGNED -	REVISED -	STATE OF ILLINOIS DEPARTMENT OF TRANSPORTATION	IL 173 (LAKE AVENUE TO ORCHARD STREET) PROPOSED TYPICAL SECTIONS	F.A.P. RTE.	SECTION	COUNTY	TOTAL SHEETS	SHEET NO.
	PLOT SCALE = 50,0000 ' / IN.	CHECKED -	REVISED -			303	2007-049-1	LAKE	49	4
PLOT DATE = 2/25/2008	DATE -	REVISED -	REVISED -	SCALE: N.T.S.	SHEET NO. 6 OF 25 SHEETS	STA.	TO STA.	FED. ROAD DIST. NO. 1 ILLINOIS FED. AID PROJECT		
						CONTRACT NO. 60039				