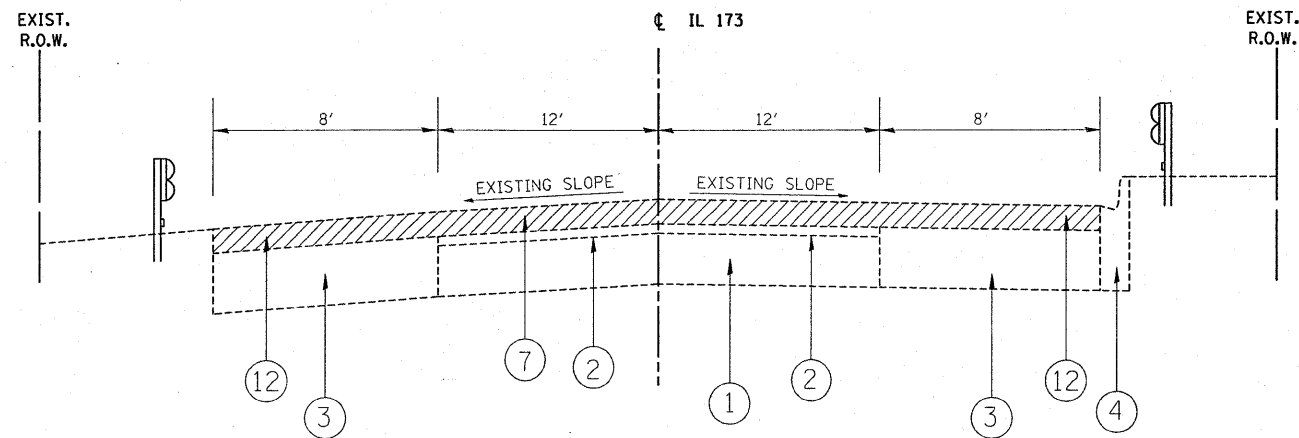
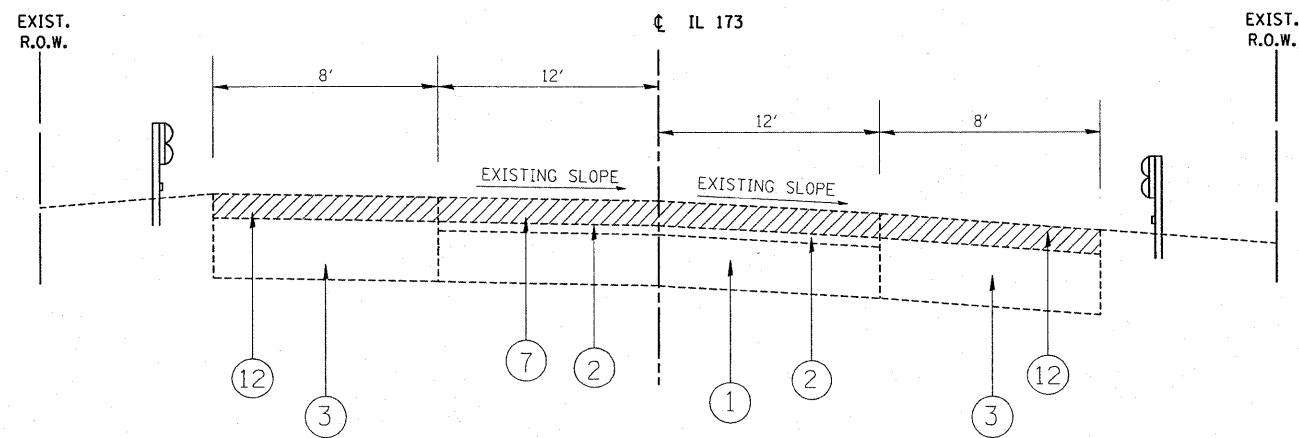


EXISTING TYPICAL SECTION IL 173  
STA. 110+00 TO STA. 131+46.5



EXISTING TYPICAL SECTION IL 173  
STA. 132+00 TO STA. 157+00



EXISTING TYPICAL SECTION IL 173  
STA. 158+00 TO STA. 172+00

**LEGEND:**

- ① EXISTING P.C.C. PAVEMENT, 8" (±)
- ② EXISTING HMA OVERLAY, 6" (±)
- ③ EXISTING HMA SHOULDERS
- ④ EXISTING COMBINATION CONCRETE CURB & GUTTER, TYPE B-6.24
- ⑤ EXISTING AGGREGATE SHOULDERS
- ⑥ EXISTING AGGREGATE SIDEWALK
- ⑦ PROPOSED HMA SURFACE REMOVAL, 2 1/2" (FOR BRIDGE, USE 2")
- ⑧ PROPOSED LEVELING BINDER (MACHINE METHOD) N70, 3/4 "
- ⑨ PROPOSED POLYMERIZED HMA SURFACE COURSE, MIX "F", N90, 1 3/4 " (FOR BRIDGE, USE 2")
- ⑩ PROPOSED AGGREGATE WEDGE SHOULDER, TYPE B
- ⑪ PROPOSED STRIP REFLECTIVE CRACK CONTROL TREATMENT
- ⑫ PROPOSED HMA SURFACE REMOVAL, 1"
- ⑬ PROPOSED HMA SURFACE COURSE, MIX "D" N70, 1-1/2" & VARIES
- APPLIES ONLY TO HMA SHOULDER

FILE NAME =  
c:\projects\dl01108\design\_00.dgn

USER NAME = galbennb  
PLOT SCALE = 50,000 ' / IN.  
PLOT DATE = 2/25/2008

DESIGNED -  
DRAWN -  
CHECKED -  
DATE -

REVISED -  
REVISED -  
REVISED -  
REVISED -

**STATE OF ILLINOIS  
DEPARTMENT OF TRANSPORTATION**

**IL 173 (LAKE AVENUE TO ORCHARD STREET)  
PROPOSED TYPICAL SECTIONS**

SCALE: N.T.S. SHEET NO. 7 OF 25 SHEETS STA. TO STA.

F.A.P. RTE.	SECTION	COUNTY	TOTAL SHEETS	SHEET NO.
303	2007-049-1	LAKE	49	5
CONTRACT NO. 60D39				
FED. ROAD DIST. NO. 1   ILLINOIS   FED. AID PROJECT				