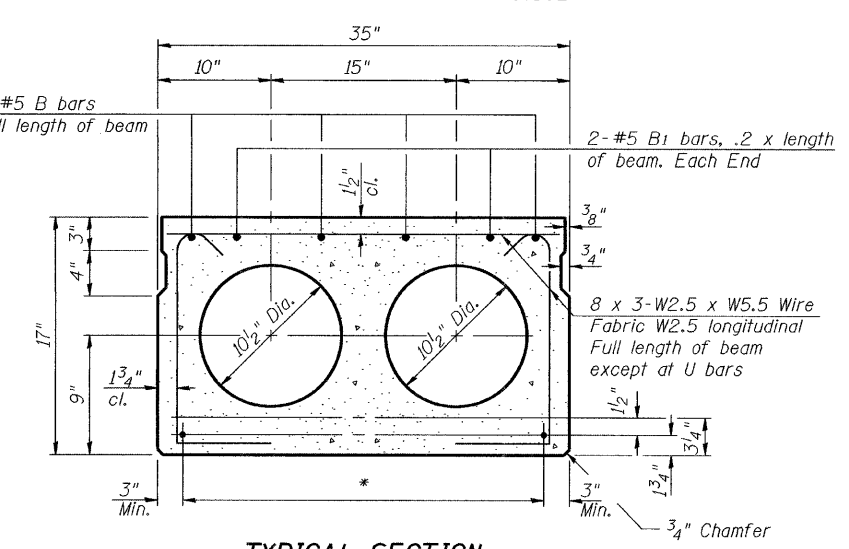
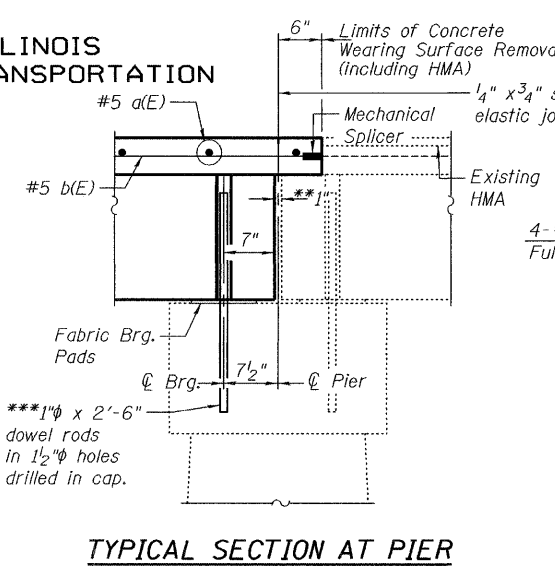
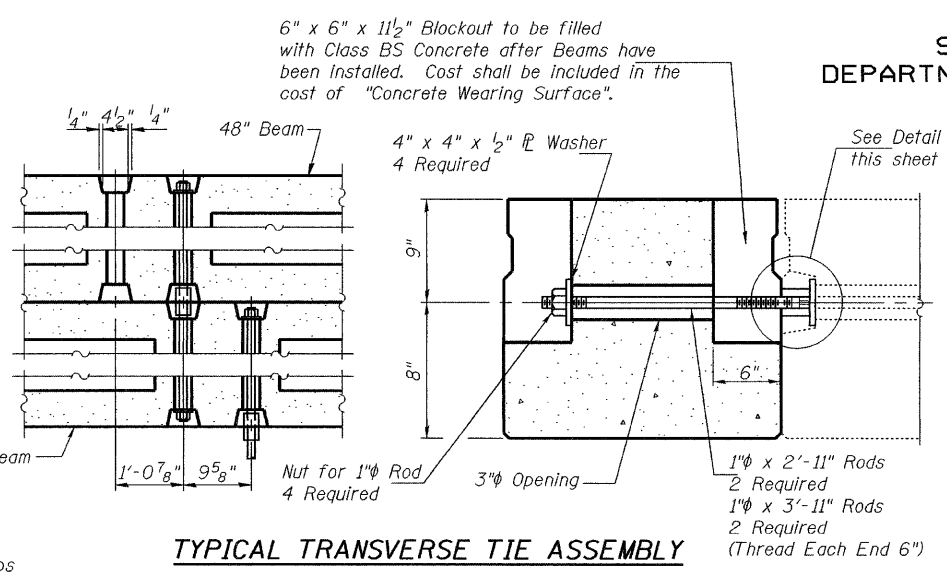
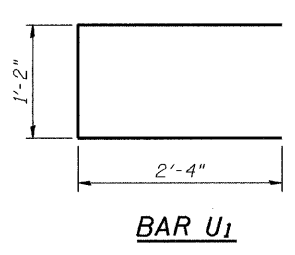
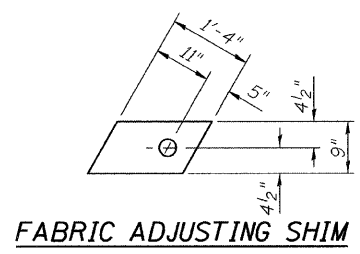


STATE OF ILLINOIS
DEPARTMENT OF TRANSPORTATION

ROUTE NO.	SECTION	COUNTY	TOTAL SHEETS	SHEET NO.
		McHenry	13	5
FED. ROAD DIST. NO. 7		ILLINOIS	FED. AID PROJECT-	

SHEET NO. 2
3 SHEETS

Contract Number: 60D92

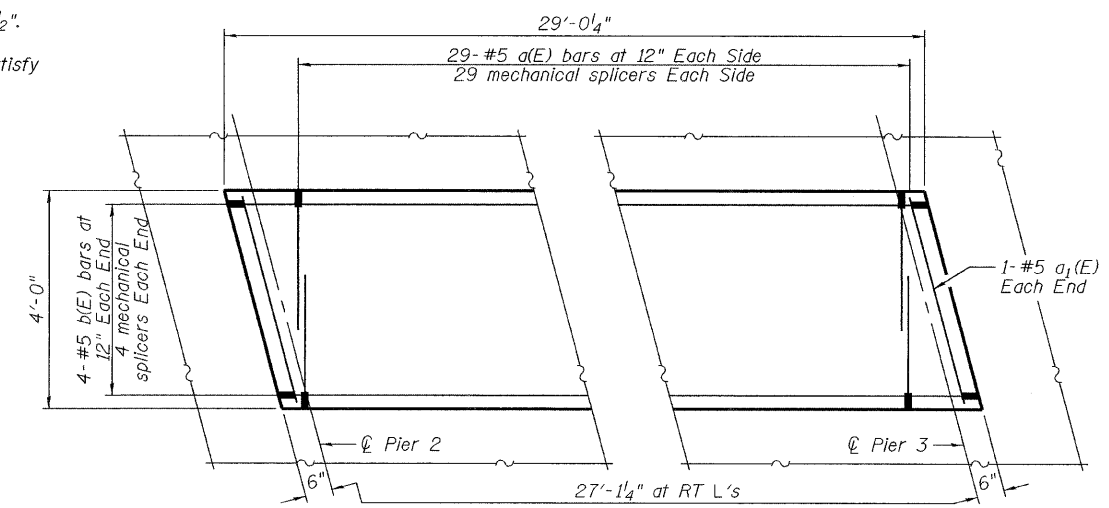
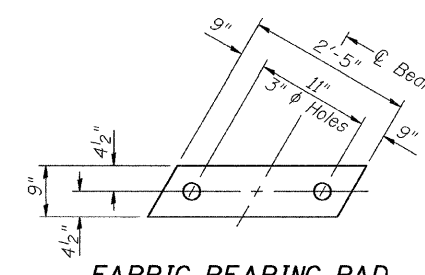
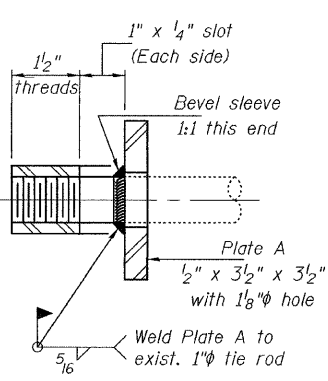
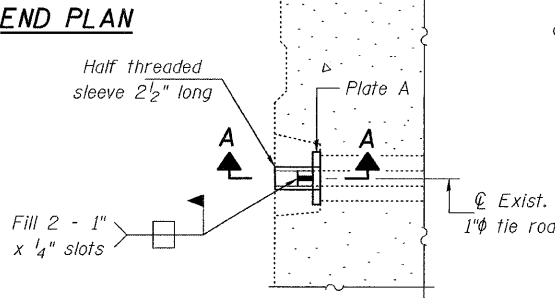
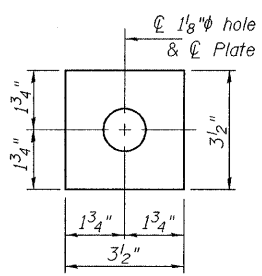
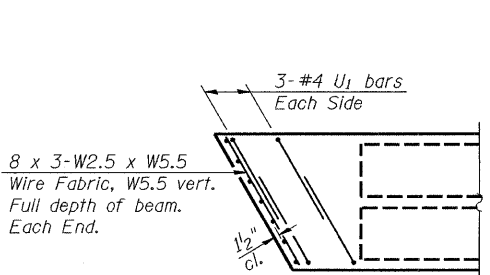
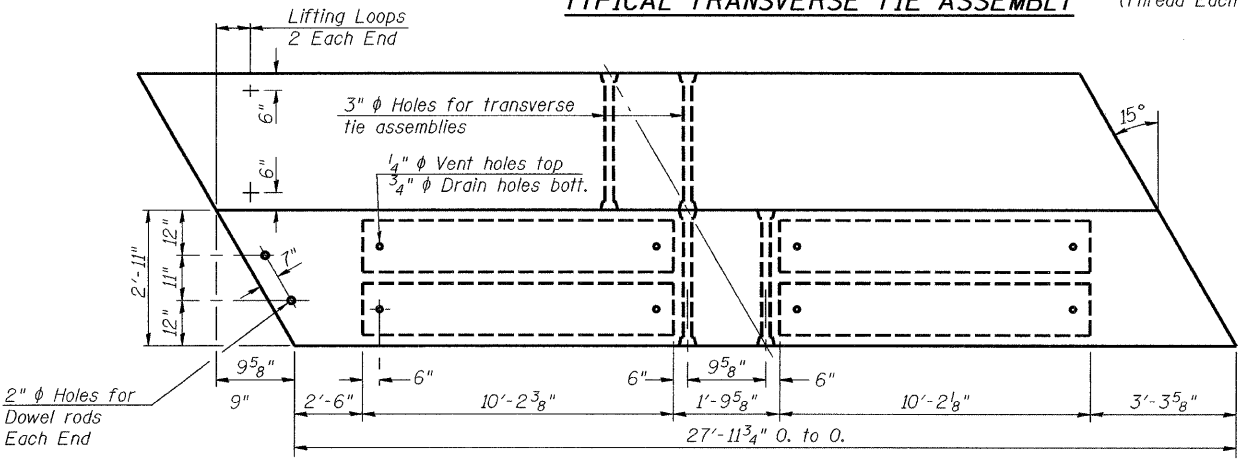


* TRANSVERSE PLACEMENT GUIDELINES

1. Place strands symmetrically about centerline of beam.
2. The minimum distance from center to center of strands in all directions shall be 2".
3. The minimum clearance from strand to dowel hole shall be 1/2".
4. The minimum clearance from strand to void shall be 1/2".

Vertical placement of strands shall not be adjusted to satisfy the above guidelines.

**1" Joint shall be filled with non-shrink grout. Dimension may vary to accommodate tolerance in beam lengths.
***Existing dowel rods are to be burned off, ground flush, and sealed with epoxy prior to placement of new beams. Cost included in Removal of Existing PPC Deck Beams. After beams have been erected holes shall be drilled into cap and dowel rods placed. Dowel holes shall be filled with non-shrink grout to top of beam and allowed to cure a minimum of 24 hours prior to grouting the shear keys.



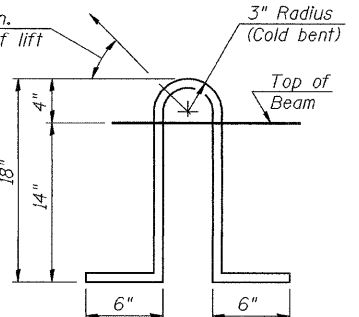
NOTES

Prestressing steel shall be uncoated high strength, low relaxation 7-wire strand, Grade 270. The nominal diameter shall be 1/2" and the nominal cross-sectional area shall be 0.153 sq. in. Lifting loops shall be 2 - 1/2" phi -270 ksi strands, as shown.
The 1" phi rods in the transverse tie assembly shall be tightened to a snug fit and the threads set. Pockets that receive transverse tie bar on outside shall be filled with grout after transverse tie assembly is in place.
Non prestressing steel shall conform to ASTM A 706 (IL MOD), Grade 60.
The bearing seat surfaces shall be adjusted by shimming to assure firm and even bearing. Two 1/8" fabric adjusting shims of the dimensions shown shall be provided for each bearing.
Keyway surfaces shall be cleaned to remove form oil or other bond breaking material prior to shipment of the beams. Cleaning shall be done by sandblasting the keyway areas between top of the beam and the bottom edge of the key.
Corrosion Inhibitor, per Article 1020.05(b)(12) of the Standard Specifications, shall be used in the concrete for precast prestressed concrete deck beams.
Required Release Strength, f'ci, shall be 4,000 p.s.i.

BILL OF MATERIAL

Bar	No.	Size	Length	Shape
a(E)	58	#5	2'-4"	—
a1(E)	2	#5	3'-10"	—
b(E)	8	#5	14'-11"	—
Concrete Wearing Surface Removal			Sq. Yd.	3.6
PPC Deck Beams (17")			Sq. Ft.	82
Concrete Wearing Surface			Sq. Yd.	12.9
Reinforcement Bars, Epoxy Coated			Pound	270

SPAN 3 BEAM DETAILS
IL 23 OVER COON CREEK
MCHENRY COUNTY
SN 056-0012



DESIGNED	A.J.B.
CHECKED	A.T.H.
DRAWN	Drew Christopher
CHECKED	A.J.B. A.T.H.

EXAMINED	March 14, 2008
PASSED	Carl P... ENGINEER OF STRUCTURAL SERVICES
	Ralph E. Anderson ENGINEER OF BRIDGES AND STRUCTURES

PD-3-R 11-1-06

LIFTING LOOP DETAIL