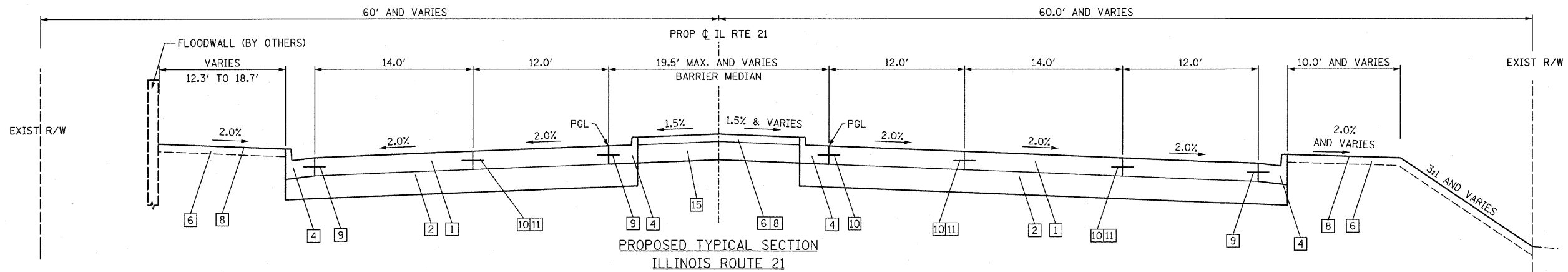
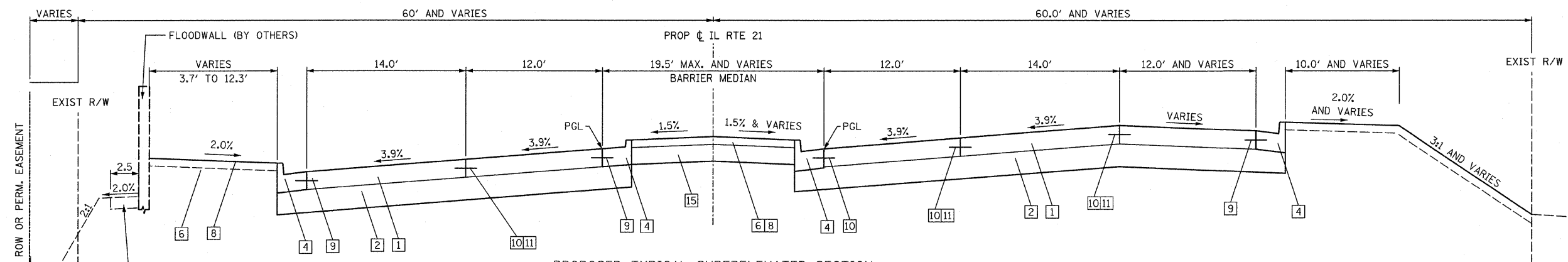


F.A.P. RTE.	SECTION	COUNTY	TOTAL SHEETS	SHEET NO.
374	3268F-R-1	COOK	279	23
STA.		TO STA.		
FED. ROAD DIST. NO.		ILLINOIS	FED. AID PROJECT	
CONTRACT NO. 62387				



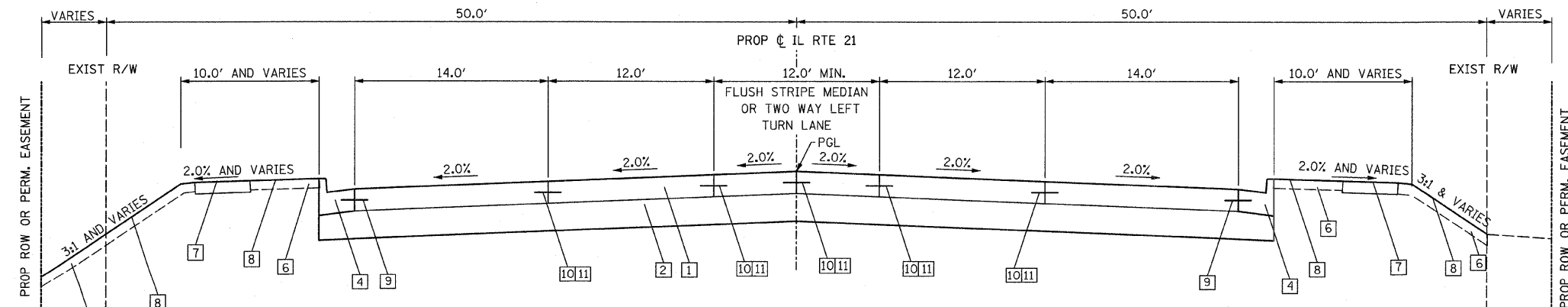
**PROPOSED TYPICAL SECTION  
ILLINOIS ROUTE 21  
STA. 105+50 TO STA. 111+77.29  
STA. 106+30 (CONCRETE MEDIAN TYPE SB-6.24)  
STA. 107+31 TO STA. 109+31 (CONCRETE MEDIAN TYPE SB-6.12)  
(LOOKING SOUTH)**



**PROPOSED TYPICAL SUPERELEVATED SECTION  
ILLINOIS ROUTE 21  
STA. 111+77.29 TO STA. 118+41.63  
(LOOKING SOUTH)**

**LEGEND:**

- 1 PORTLAND CEMENT CONCRETE PAVEMENT, 9 3/4" (JOINTED)
- 2 AGGREGATE SUBGRADE 12"
- 3 CONCRETE MEDIAN SB-6.12 (STD. 606301)
- 4 COMBINATION CONCRETE CURB AND GUTTER, TYPE B-6.24
- 5 FURNISHING AND PLACING TOPSOIL 12"
- 6 FURNISHING AND PLACING TOPSOIL, 4"
- 7 P.C.C. SIDEWALK 5" SEE PLANS FOR LOCATION
- 8 SODDING, SALT TOLERANT OR SEEDING, CLASS 2A
- 9 NO.6 x 24" TIE BARS GROUTED IN PLACE (EPOXY COATED) AT 24' O.C. INCLUDED IN COST OF COMBINATION CONCRETE CURB & GUTTER, STANDARD 606001.
- 10 LONGITUDINAL CONSTRUCTION JOINT GROUTED-IN-PLACE TIE BAR NO.8 x 24" LONG DEFORMED TIE BARS (EPOXY COATED) AT 24" O.C. (STANDARD 420001) INCLUDED IN THE COST OF CONCRETE PAVEMENT
- 11 AT THE CONTRACTORS OPTION A LONGITUDINAL SAWED JOINT 12 MAY BE USED.
- 12 LONGITUDINAL SAWED JOINT - NO.6 x 30" LONG DEFORMED TIE BARS (EPOXY COATED) AT 30' O.C. (STANDARD 420001) INCLUDED IN THE COST OF PAVEMENT
- 13 HOT-MIX ASPHALT PAVEMENT (FULL DEPTH), 9 3/4" CONSISTS OF:  
A. HOT-MIX ASPHALT SURFACE COURSE, MIX "D", N50 2"  
B. HOT-MIX ASPHALT BINDER COURSE, IL-19.0, N50, 7 3/4"
- 14 SUBBASE GRANULAR MATERIAL, TYPE B, 4"
- 15 AGGREGATE BASE COURSE, TYPE A, 12"



**PROPOSED TYPICAL SECTION  
ILLINOIS ROUTE 21  
STA. 118+41.63 TO STA. 179+00  
(LOOKING SOUTH)**

- NOTES:**
1. FOR PROPOSED IL 21 OVER DES PLAINES RIVER BRIDGE SEE STRUCTURAL PLANS.
  2. FOR FLOODWALL (BY OTHERS) LIMITS AND DETAILS, SEE FLOODWALL PLANS.
  3. FOR STRUCTURAL PAVEMENT DESIGN SEE GENERAL NOTES ON SHEET 3.

REVISIONS	
NAME	DATE

ILLINOIS DEPARTMENT OF TRANSPORTATION  
**PROPOSED TYPICAL SECTIONS**  
ILLINOIS ROUTE 21

SCALE: N.T.S.  
DATE 02/05/08

DRAWN BY RDT  
CHECKED BY GC

