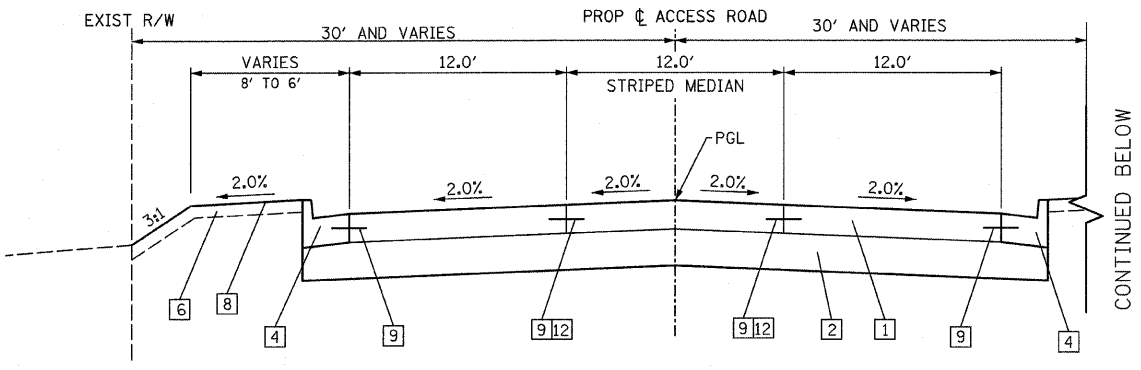


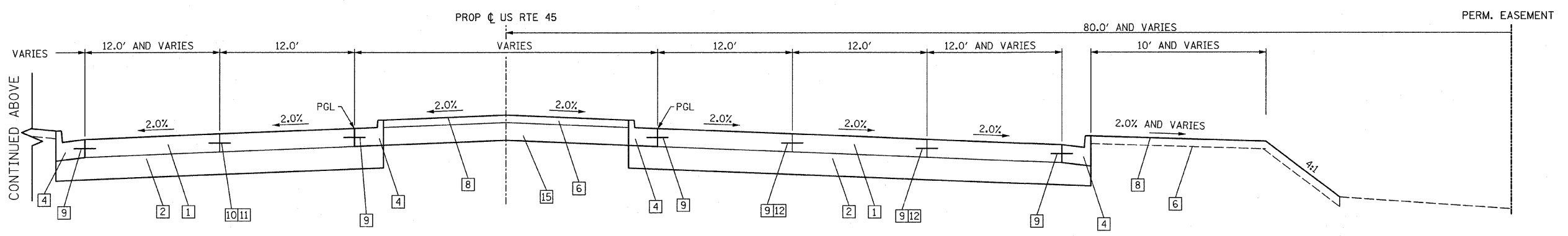
F.A.P. RTE.	SECTION	COUNTY	TOTAL SHEETS	SHEET NO.
374	3268F-R-1	COOK	279	24
STA.		TO STA.		
FED. ROAD DIST. NO.	ILLINOIS	FED. AID PROJECT		
CONTRACT NO. 62387				

**LEGEND:**

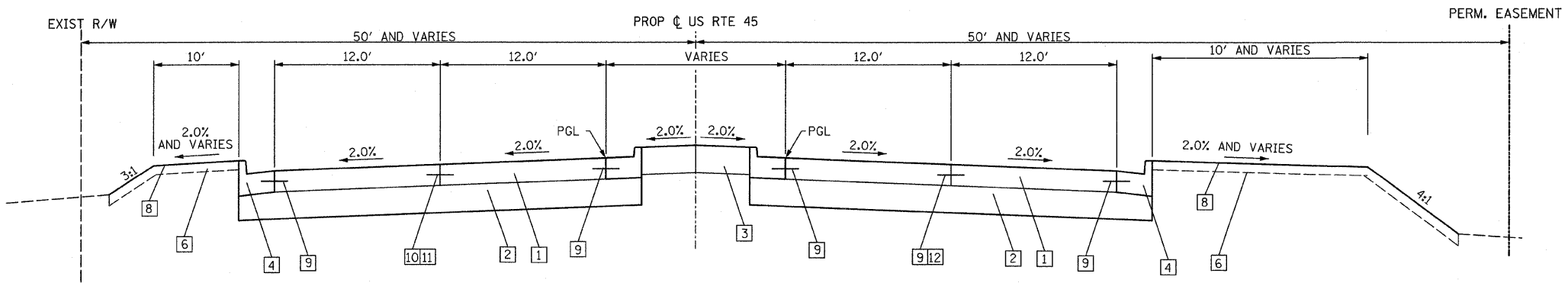
- 1 PORTLAND CEMENT CONCRETE PAVEMENT, 9 3/4" (JOINTED)
- 2 AGGREGATE SUBGRADE 12"
- 3 CONCRETE MEDIAN SB-6.12 (STD. 606301)
- 4 COMBINATION CONCRETE CURB AND GUTTER, TYPE B-6.24
- 5 FURNISHING AND PLACING TOPSOIL 12"
- 6 FURNISHING AND PLACING TOPSOIL, 4"
- 7 P.C.C. SIDEWALK 5" SEE PLANS FOR LOCATION
- 8 SODDING, SALT TOLERANT OR SEEDING, CLASS 2A
- 9 NO.6 X 24" TIE BARS GROUTED IN PLACE (EPOXY COATED) AT 24" O.C. INCLUDED IN COST OF COMBINATION CONCRETE CURB & GUTTER, STANDARD 606001.
- 10 LONGITUDINAL CONSTRUCTION JOINT GROUTED-IN-PLACE TIE BAR NO.8 X 24" LONG DEFORMED TIE BARS (EPOXY COATED) AT 24" O.C. (STANDARD 420001) (INCLUDED IN THE COST OF CONCRETE PAVEMENT)
- 11 AT THE CONTRACTORS OPTION A LONGITUDINAL SAWED JOINT 12 MAY BE USED.
- 12 LONGITUDINAL SAWED JOINT - NO.6 X 30" LONG DEFORMED TIE BARS (EPOXY COATED) AT 30" O.C. (STANDARD 420001) INCLUDED IN THE COST OF PAVEMENT
- 13 HOT-MIX ASPHALT PAVEMENT (FULL DEPTH), 9 3/4" CONSISTS OF:  
A. HOT-MIX ASPHALT SURFACE COURSE, MIX "D", N50 2"  
B. HOT-MIX ASPHALT BINDER COURSE, 1L-19.0, N50, 7 3/4"
- 14 SUBBASE GRANULAR MATERIAL, TYPE B, 4"
- 15 AGGREGATE BASE COURSE, TYPE A, 12"



PROPOSED TYPICAL SECTION  
ACCESS ROAD



PROPOSED TYPICAL SECTION  
US ROUTE 45  
STA. 303+00 TO STA. 305+00  
(SECTION B-B SEE PLAN & PROFILE SHEET - 7)



PROPOSED TYPICAL SECTION  
US ROUTE 45  
STA. 300+00 TO STA. 303+00  
(SECTION A-A SEE PLAN & PROFILE - 7)

REVISIONS	
NAME	DATE

ILLINOIS DEPARTMENT OF TRANSPORTATION  
**PROPOSED TYPICAL SECTIONS**  
U.S. ROUTE 45 AND ACCESS ROAD

SCALE: N.T.S.  
DATE 02/05/08

DRAWN BY RDT  
CHECKED BY GC

