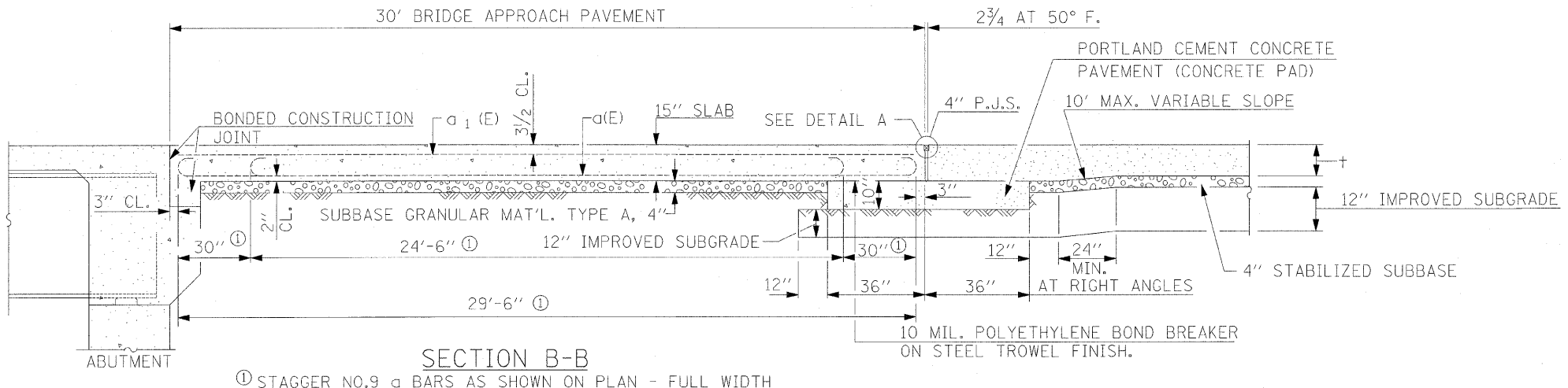


F.A.P. RTE.	SECTION	COUNTY	TOTAL SHEETS	SHEET NO.
374	3268F-R-1	COOK	279	130
STA.	TO STA.			
FED. ROAD DIST. NO.	ILLINOIS FED. AID PROJECT			
CONTRACT NO. 62387				

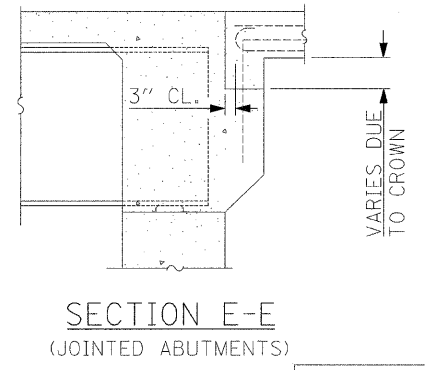
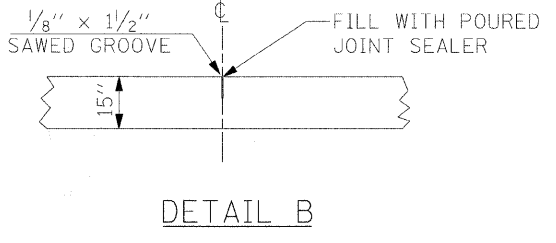
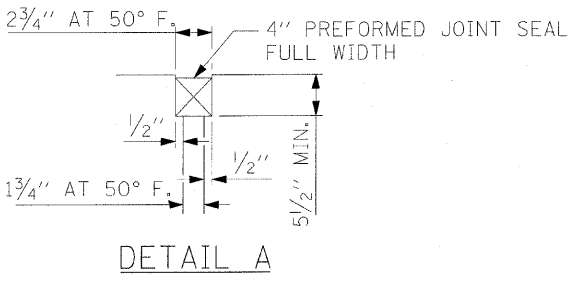
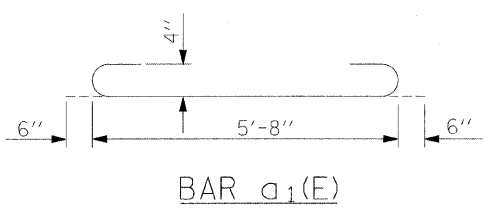
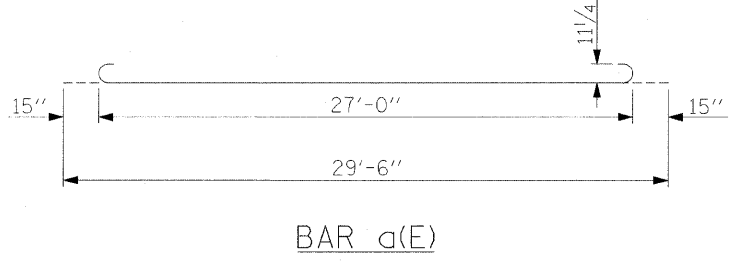
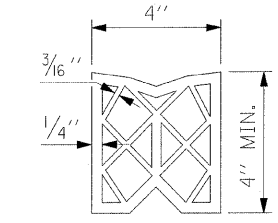
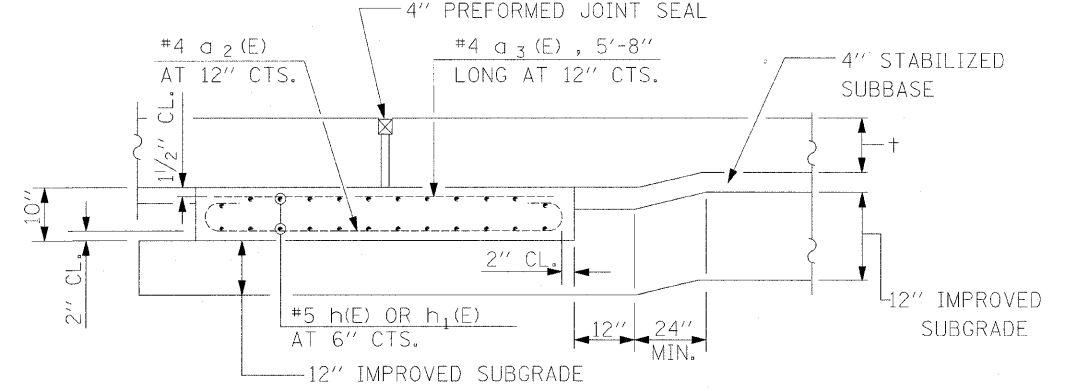
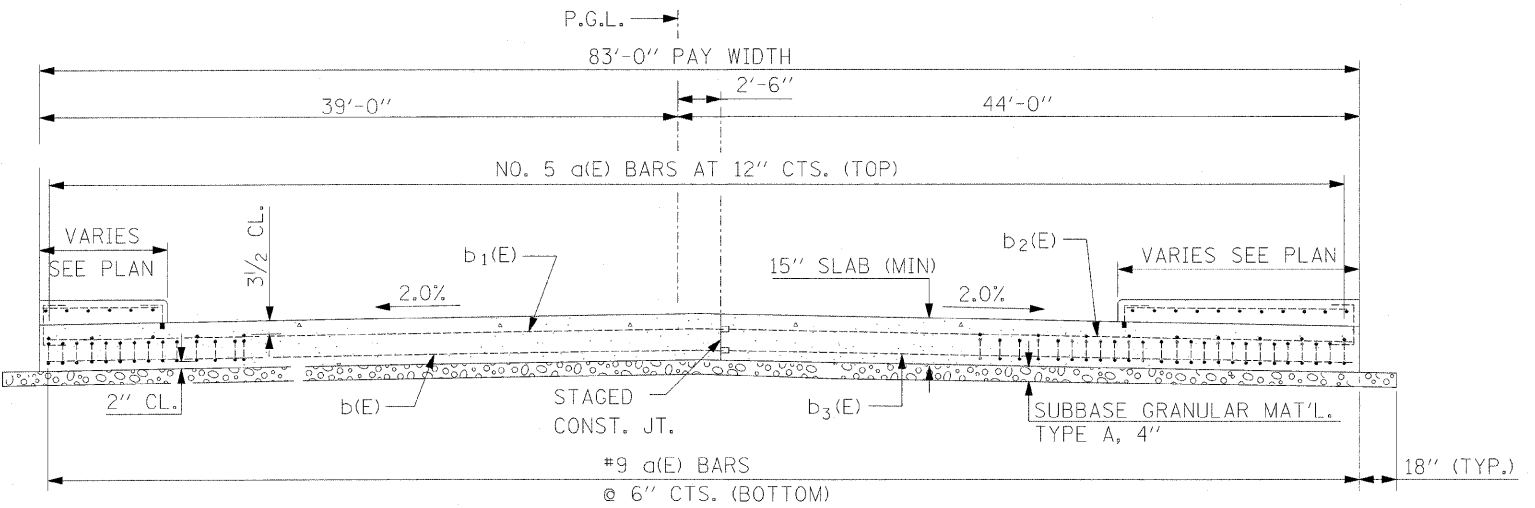


DESIGN STRESSES

FY = 60,000 P.S.I.
 F'C = 3,500 P.S.I.
 N = 8.5

GENERAL NOTES

1. THICKNESS - "t" = THICKNESS OF PAVEMENT
2. ALL DIMENSIONS ARE IN INCHES UNLESS OTHERWISE SHOWN.



REVISIONS	
NAME	DATE

ILLINOIS DEPARTMENT OF TRANSPORTATION
 IL ROUTE 21
 MILWAUKEE AVE. OVER DESPLAINES RIVER
 COOK COUNTY - F.A.P. ROUTE 374
 SN 016-6566

BRIDGE APPROACH PAVEMENT DETAILS

SCALE: NOT TO SCALE
 DATE: 02/05/08
 DRAWN BY: BTO
 CHECKED BY: JAW

STV Incorporated 200 W Monroe - Suite 1650
 Chicago, Illinois 60606
engineers/architects/scientists/construction managers