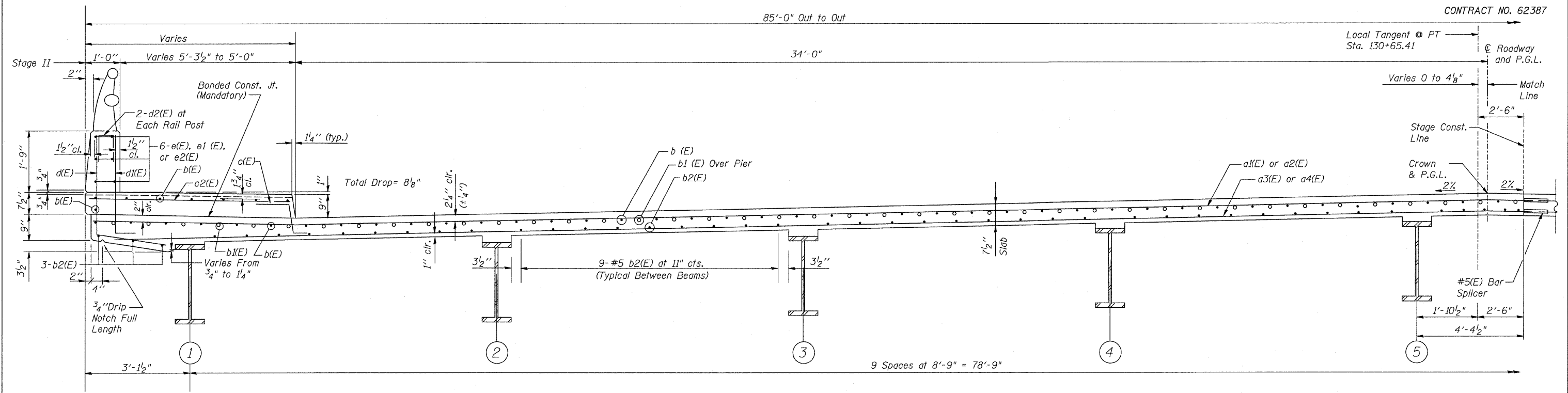
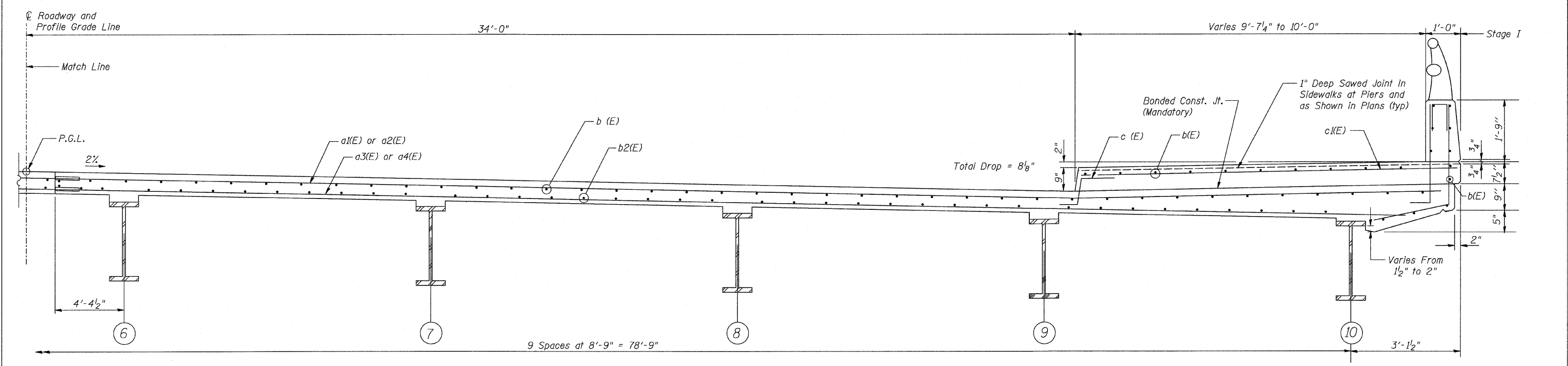


CONTRACT NO. 62387

85'-0" Out to Out



Near Pier



Near Midspan

CROSS SECTION
Looking South

REVISIONS	
NAME	DATE

STV Incorporated
Engineers/Architects/Planners/Construction Managers
200 W. Monroe Street, Suite 1650
Chicago, IL 60606-5515
312/253-0655, FAX 312/553-0661

ILLINOIS DEPARTMENT OF TRANSPORTATION
ILLINOIS ROUTE 21
MILWAUKEE AVE. OVER DES PLAINES RIVER
F.A.P. ROUTE 374 SECTION 3268F-R-1
COOK COUNTY, SN 016-6566

DECK CROSS SECTION

DESIGN BY: AWH DRAWN BY: AWH
DATE: 02/05/08 CHECKED BY: JAW CHECKED BY: JAW

312/553-0655 FAX 312/553-0661
 200 W. MONROE STREET, SUITE 1650
 CHICAGO, ILLINOIS 60606-5515
 STV INCORPORATED