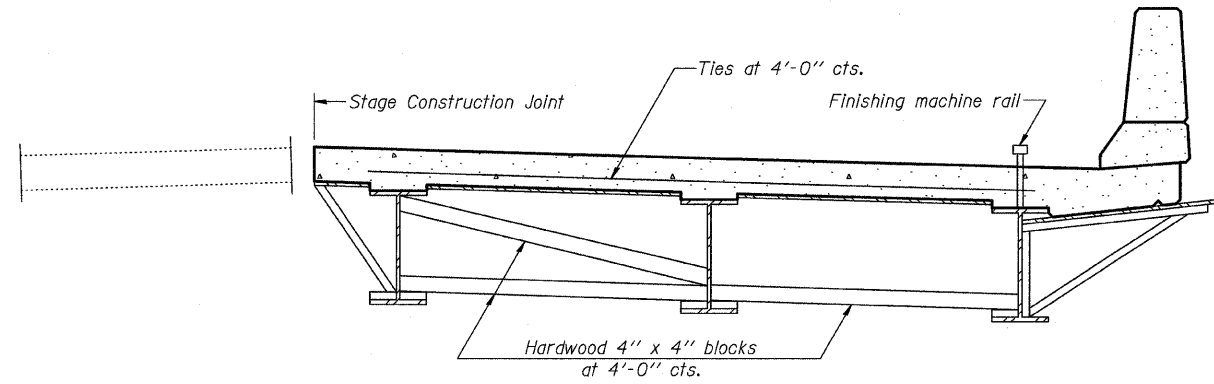


SHT. S-24 OF S-28

F.A.P. RTE.	SECTION	COUNTY	TOTAL SHEETS	SHEET NO.
374	3268F-R-1	COOK	279	156
STA.		TO STA.		
FED. ROAD DIST. NO.		ILLINOIS	FED. AID PROJECT	

CONTRACT NO. 62387



FORM BRACES FOR
STAGE CONSTRUCTION

When cantilever forming brackets are used, the work shall be done according to Article 503.06, except as modified below and in the details shown on this sheet.

The finishing machine rails shall be placed on the top flange of the exterior beams.

The beams or girders, supporting cantilever forming brackets, shall be tied together at 4 foot intervals.

For Standard construction, or Stage Construction the Hardwood bracing materials shall be placed as shown between webs of beams in each bay.

REVISIONS	
NAME	DATE

ILLINOIS DEPARTMENT OF TRANSPORTATION
ILLINOIS ROUTE 21
MILWAUKEE AVE. OVER DES PLAINES RIVER
F.A.P. ROUTE 374 SECTION 3268F-R-1
COOK COUNTY, SN 016-6566

CANTILEVER FORMING BRACKETS

DESIGN BY: BTO DRAWN BY: BTO
DATE: 02/05/08 CHECKED BY: JAN CHECKED BY: JAW



I:\Projects\080224\080224.dwg 2/17/2008 7:28:41 AM
 User: jma