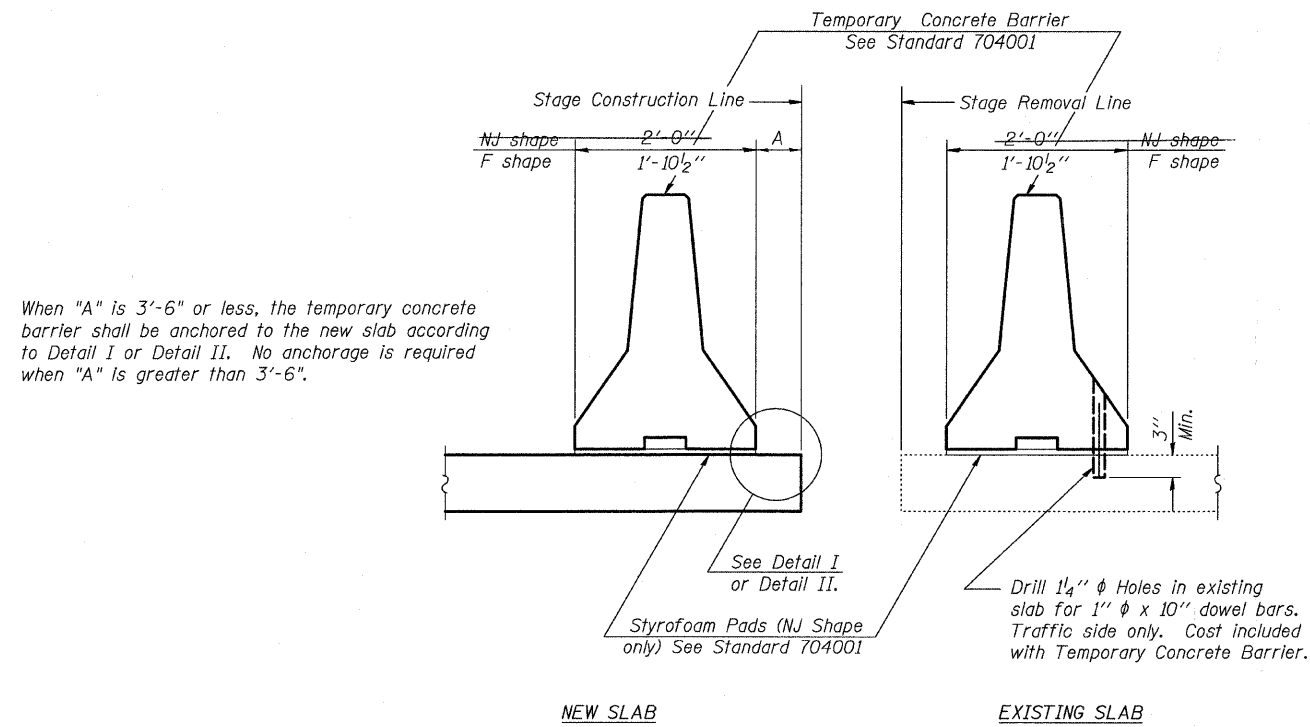


F.A.P. RTE.	SECTION	COUNTY	TOTAL SHEETS	SHEET NO.
374	3268F-R-1	COOK	279	158
STA.	TO STA.			
FED. ROAD DIST. NO.	ILLINOIS	FED. AID PROJECT		

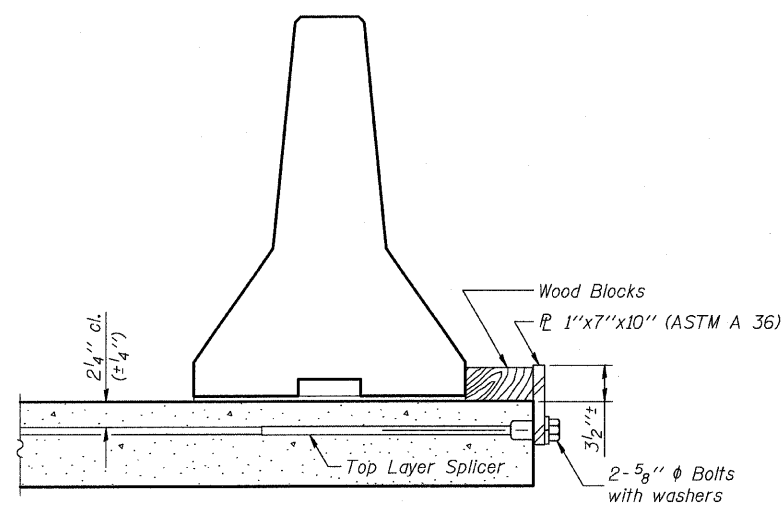
CONTRACT NO. 62387



SECTIONS THRU SLAB

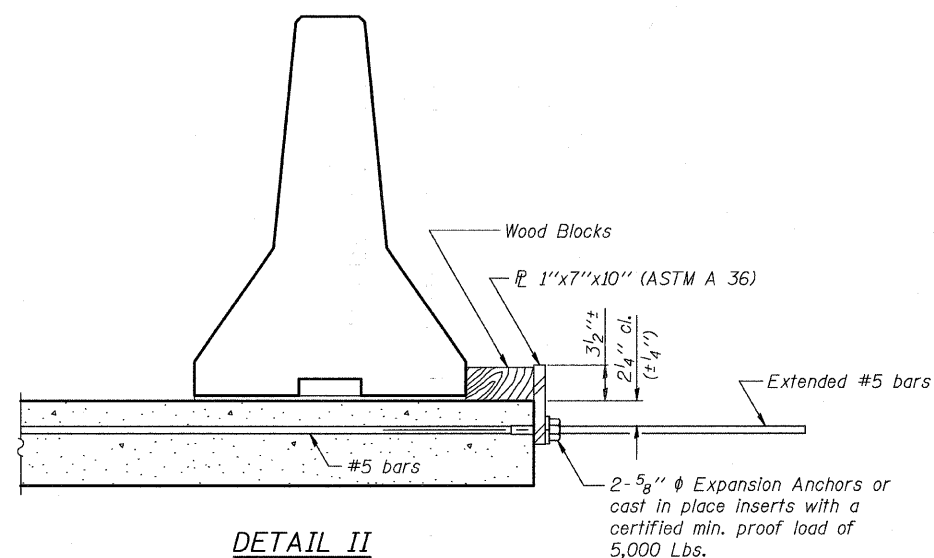
NOTES

- Detail I - With Bar Splicer or Couplers: Connect one (1) 1"x7"x10" steel PL to the top layer of couplers with 2-5/8" φ bolts screwed to coupler at approximate C of each barrier panel.
 - Detail II - With Extended Reinforcement Bars: Connect one (1) 1"x7"x10" steel PL to the concrete slab with 2-5/8" φ Expansion Anchors or cast in place inserts spaced between the top layer of reinforcement at approximate C of each barrier panel.
- Cost of anchorage is included with Temporary Concrete Barrier.



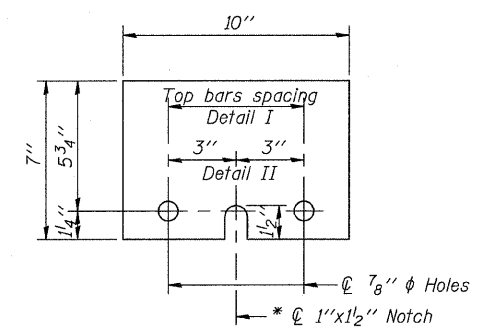
DETAIL I

The 1"x7"x10" Plate shall not be removed until Stage II Construction forms and reinforcement bars are in place.



DETAIL II

The 1"x7"x10" Plate shall not be removed until Stage II Construction forms and all reinforcement bars are in place and the concrete is ready to be placed.



PL 1"x7"x10"

* Required only with Detail II

REVISIONS	
NAME	DATE

ILLINOIS DEPARTMENT OF TRANSPORTATION
 ILLINOIS ROUTE 21
 MILWAUKEE AVE. OVER DES PLAINES RIVER
 F.A.P. ROUTE 374 SECTION 3268F-R-1
 COOK COUNTY, SN 016-6566
 TEMPORARY CONCRETE BARRIER
 DESIGN BY: JAW DRAWN BY: BTO
 DATE: 02/05/08 CHECKED BY: JAN CHECKED BY: JAW

