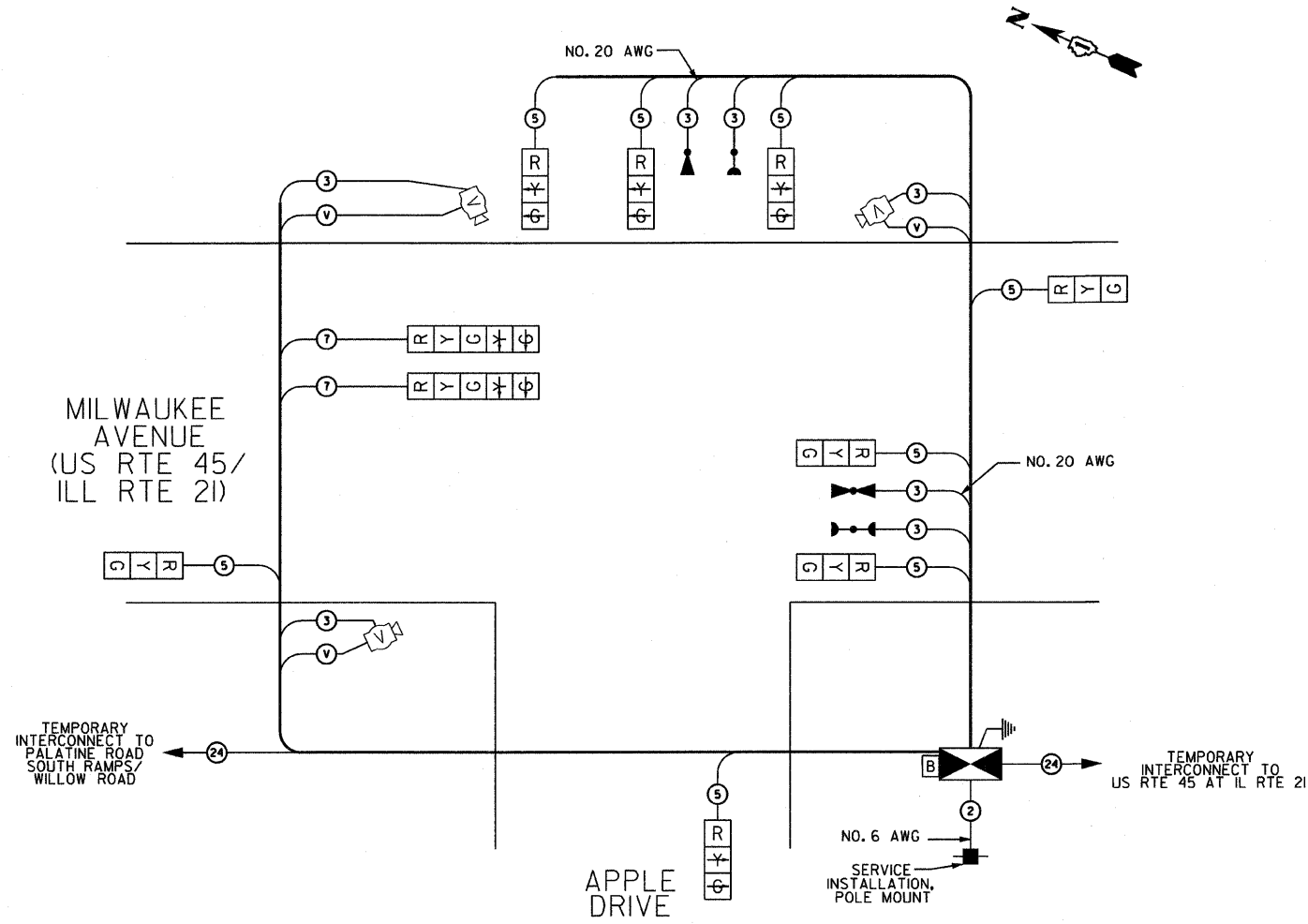


F.A.P. RTE.	SECTION	COUNTY	TOTAL SHEETS	SHEET NO.
374	3268F-R-1	COOK	279	169
STA.		TO STA.		
FED. ROAD DIST. NO.	ILLINOIS	FED. AID PROJECT		
CONTRACT NO. 62387				

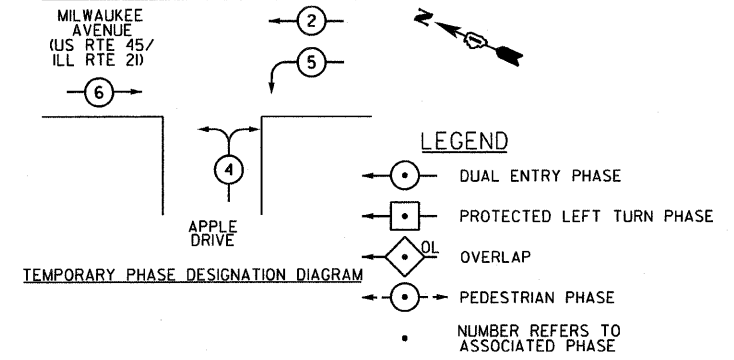
TEMPORARY CABLE PLAN LEGEND

- TEMPORARY TRAFFIC SIGNAL SECTION OR PEDESTRIAN SIGNAL SECTION 12" (300mm)
- 12" (300mm) PEDESTRIAN SIGNAL SECTION
- TEMPORARY CONTROLLER CABINET
- TEMPORARY UNINTERRUPTIBLE POWER SUPPLY
- TEMPORARY SERVICE INSTALLATION
- EMERGENCY VEHICLE LIGHT DETECTOR
- CONFIRMATION BEACON
- PUSH-BUTTON DETECTOR
- VIDEO VEHICLE DETECTOR
- DENOTES NUMBER OF CONDUCTORS. ALL CABLE NO. 14 EXCEPT AS INDICATED. ALL LOOP DETECTOR CABLE TO BE SHIELDED
- FIBER OPTIC CABLE NO. 62.5/125 MM12F SMI2F
- VIDEO DETECTOR CABLE PER VIDEO SYSTEM MANUFACTURER'S RECOMMENDATION
- GROUND ROD

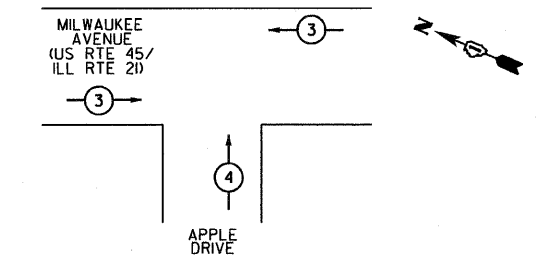


TEMPORARY CABLE PLAN

CONTROLLER SEQUENCE



EMERGENCY VEHICLE PRIORITY SEQUENCE



EMERGENCY VEHICLE PREEMPTORS		
EMERGENCY VEHICLE PREEMPTOR	3	4
MOVEMENT	← →	↑

default
 07/16/2008 - LL Rte 21 - IDOT Dist 1
 07/16/2008 - LL Rte 21 - IDOT Dist 1
 pa:07167.000 - LL Rte 21 - IDOT Dist 1
 9:45:33:28 AM 20.0000 # / IN. / 30/2008

I.D.O.T. TRAFFIC SIGNAL INSTALLATION ELECTRICAL SERVICE REQUIREMENTS					TOTAL WATTAGE
TYPE	NO. OF LAMPS	WATTAGE	INCAND.	LED % OPERATION	
SIGNAL (RED)	10	135	17	0.50	85
(YELLOW)	10	135	25	0.25	62.5
(GREEN)	10	135	15	0.25	37.5
ARROW	4	135	12	0.10	4.8
PED. SIGNAL		90	25	1.00	
CONTROLLER	1	100	100	1.00	100
ILLUM. SIGN		252		0.05	
FLASHER				0.50	
ENERGY COSTS TO:				TOTAL =	289.8

CITY OF PROSPECT HEIGHTS
 8 NORTH ELMHURST ROAD
 PROSPECT HEIGHTS, ILLINOIS 60070
 ENERGY SUPPLY CONTACT: MS. JUDY SCHOMER
 PHONE: (847) 870-2056
 COMPANY: COMED

FOUNDATION (DEPTH)	FT. (m)	CABLE SLACK	FT. (m)	VERTICAL	FT. (m)
TYPE A - POST	4 (1.2)	HANDHOLE	6.5 (2.0)	ALL FOUNDATIONS	3.5 (1.0)
D - CONTROLLER	4 (1.2)	DOUBLE HANDHOLE	13 (4.0)	MAST ARM (L) POLE	20'+L-2= (6m+L-0.6m)=
E - M. ARM POLE		SIGNAL POST	2 (0.6)	BRACKET MOUNTED	13 (4.0)
24" (600 mm)	10 (3.0)	CONTROLLER CAB.	1 (0.5)	PED PUSHBUTTON	4 (1.2)
30" (750 mm)	15 (4.6)	FIBER OPTIC	13 (4.0)	ELECTRIC SERVICE	13.5 (4.1)
		ELECTRIC SERVICE	1 (0.5)	ELECTRIC SERVICE	13.5 (4.1)
		GROUND CABLE	1 (0.5)	SERVICE TO GROUND	13.5 (4.1)
				POST MOUNTED	6 (1.8)

NOTE: THE TEMPORARY TRAFFIC SIGNAL CONTROL EQUIPMENT FOR THIS INTERSECTION SHALL BE 'ECONOLITE' BRAND TO MATCH THE EXISTING SYSTEM.

SPAAN Tech, Inc.
 311 S. Wacker Drive, Suite 2400
 Chicago, Illinois 60606
 phone: 312.277.8800
 fax: 312.277.8808
 web: www.SpaanTech.com

REVISIONS	
NAME	DATE

ILLINOIS DEPARTMENT OF TRANSPORTATION
 TEMPORARY CABLE PLAN AND
 TEMPORARY PHASE DESIGNATION DIAGRAM
 MILWAUKEE AVENUE (US RTE 45/ILL RTE 21)
 AT APPLE DRIVE
 STAGES I AND II
 SCALE: NONE
 DATE: 02/05/08
 DRAWN BY: RAS
 DESIGN BY: RAS
 CHECKED BY: ADD