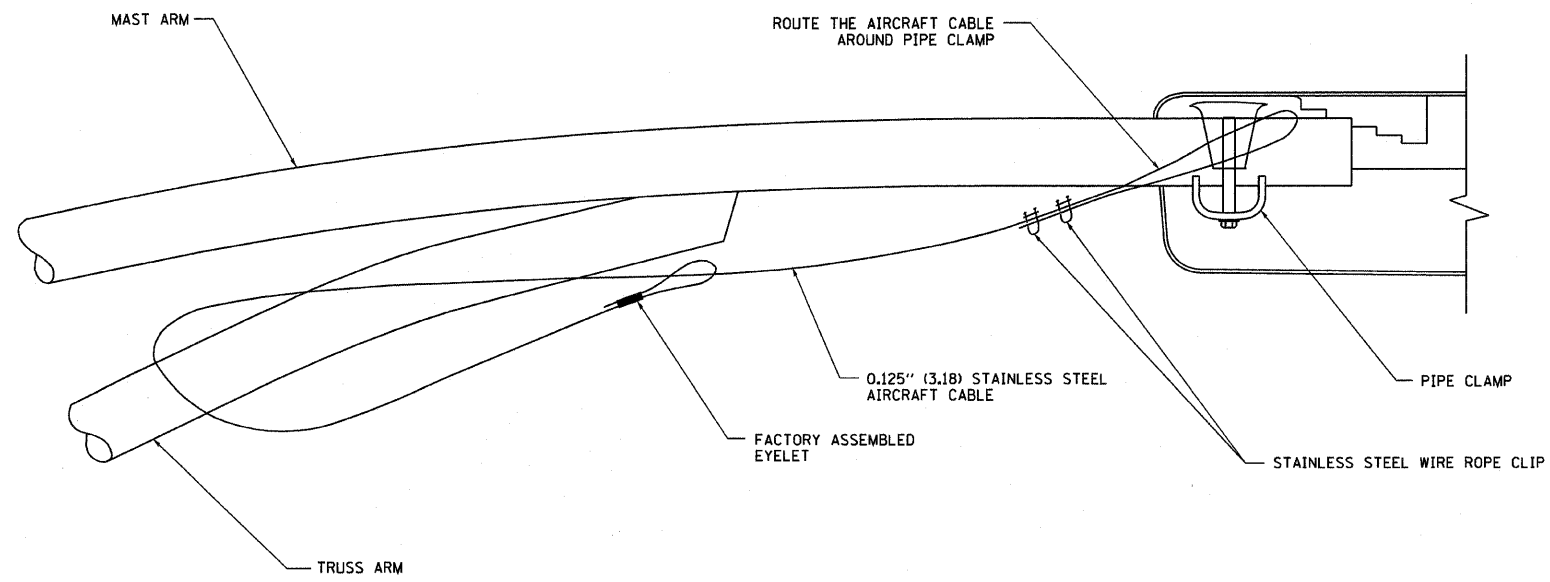
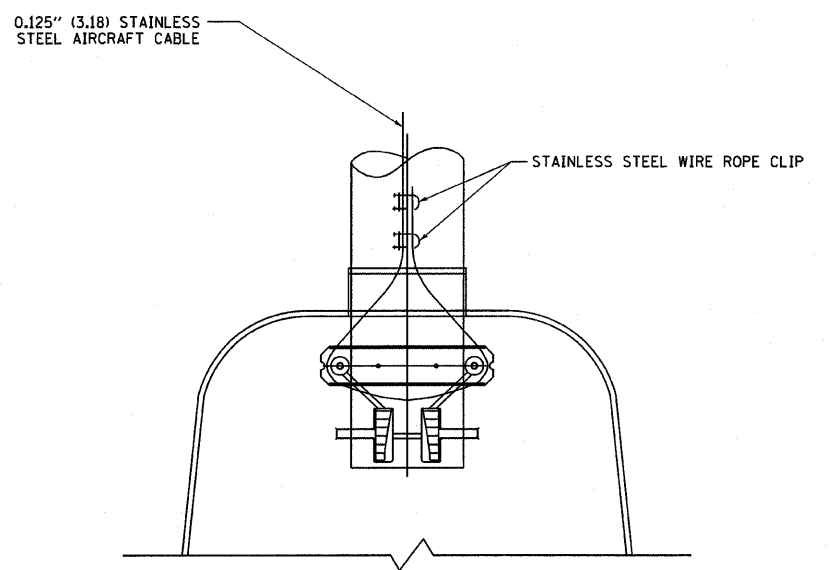


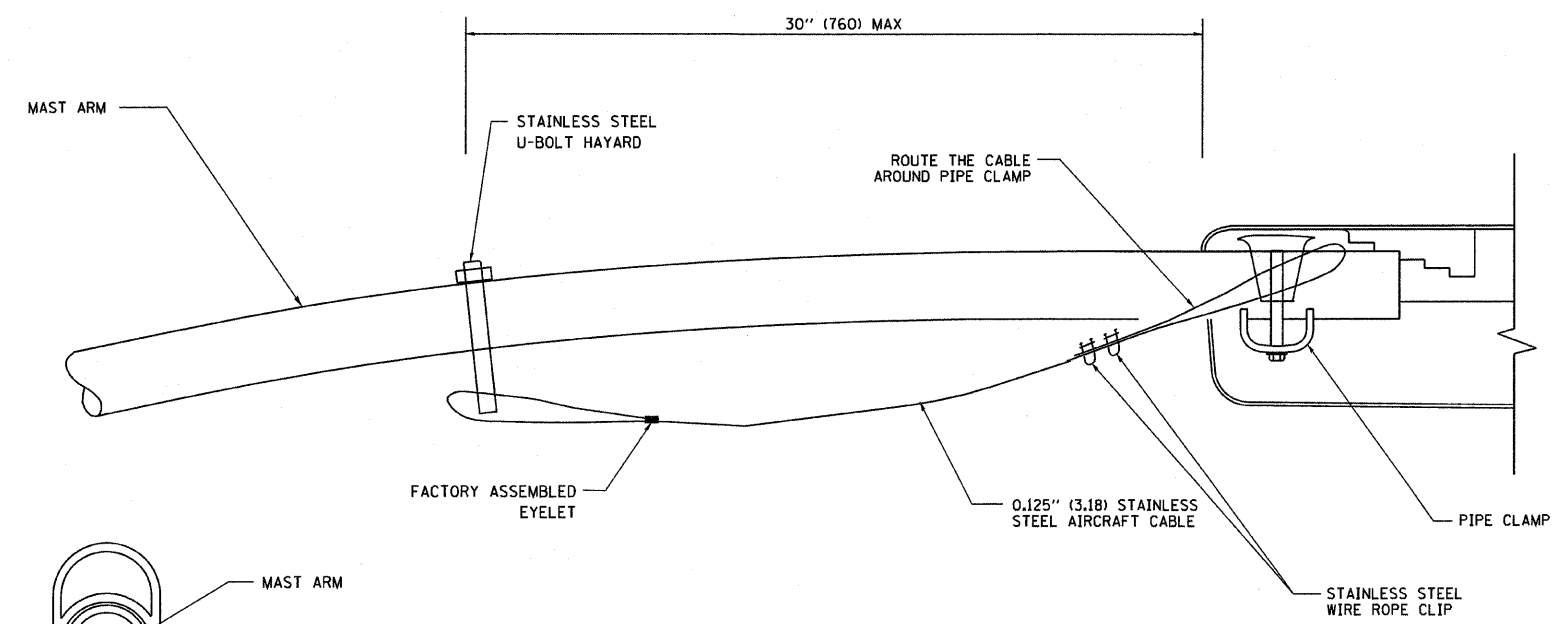
F.A. RTE.	SECTION	COUNTY	TOTAL SHEETS	SHEET NO.
374	3268F-R-1	COOK	279	212
STA.		TO STA.		
FED. ROAD DIST. NO.		ILLINOIS FED. AID PROJECT		



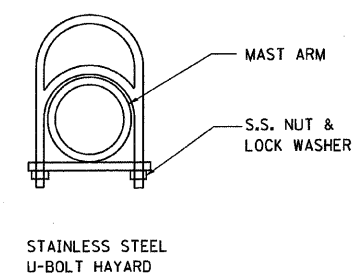
SIDE VIEW (TRUSS ARM)  
N.T.S.



BOTTOM VIEW  
N.T.S.



SIDE VIEW (SINGLE MEMBER OR DAVIT ARM)  
N.T.S.



STAINLESS STEEL U-BOLT HAYARD

NOTES:

1. ALL DIMENSIONS ARE IN MILLIMETERS (INCHES) UNLESS OTHERWISE SHOWN
2. CONTRACTOR SHALL ADJUST THE WIRE CLIP TO ELIMINATE ANY SLACK FROM THE WIRE ROPE.
3. THE 0.125" (3.18) STAINLESS STEEL AIRCRAFT CABLE SHALL REMAIN VISIBLE FROM THE GROUND LEVEL
4. THE BREAKING STRENGTH OF THE CABLE SHALL BE 1700 LBS. MIN

REVISIONS	
NAME	DATE

ILLINOIS DEPARTMENT OF TRANSPORTATION

LUMINAIRE SAFETY CABLE ASSEMBLY

SCALE: VERT. 1/8" = 1'-0"  
HORIZ. 1/4" = 1'-0"  
DATE: 1/17/2007

DRAWN BY  
CHECKED BY  
BE-701

REVISION DATE: 01/01/07

PLOT DATE = 1/17/2007  
FILE NAME = c:\projects\luminaires\luminaires.dwg  
PLOT SCALE = 1/8" = 1'-0"  
USER NAME = jlr