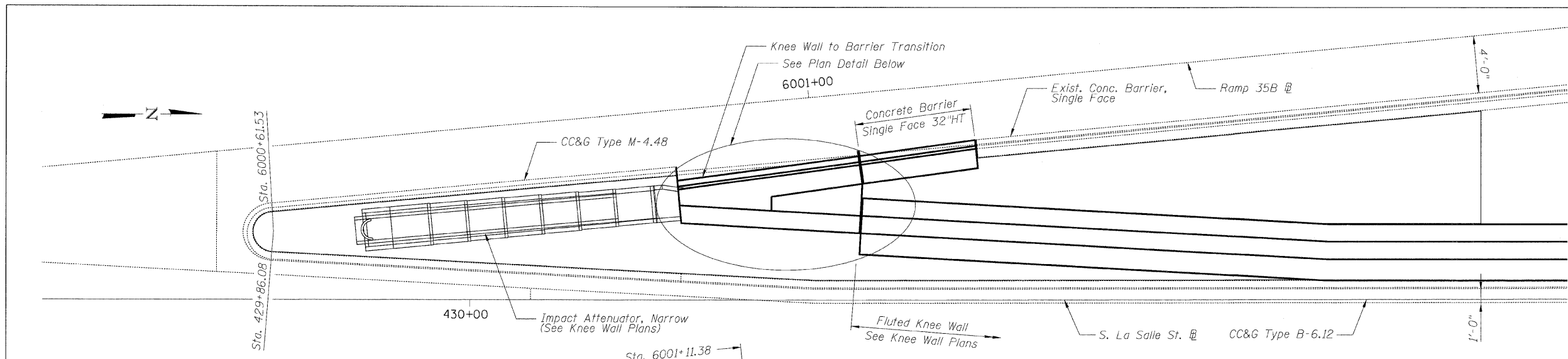


F.A.I.	SECTION	COUNTY	TOTAL SHEETS	SHEET NO.
94/90		COOK	29	16
STA.	TO STA.			
FED. ROAD DIST. NO.	ILLINOIS FED. AID PROJECT			
62993	2324.6-1P-1-1			

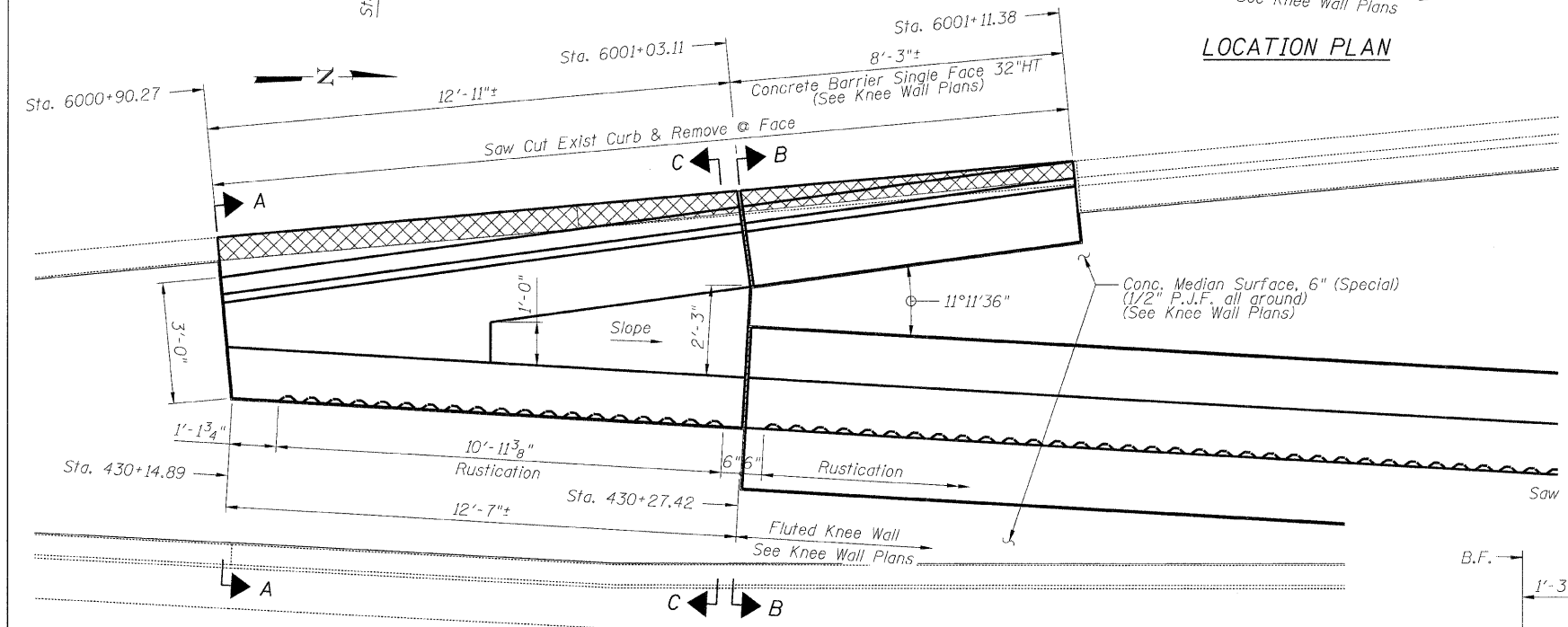
DETAIL B REINFORCEMENT SCHEDULE AND BILL OF MATERIAL

Bar	No.	Size	Length	Shape
d(E)	14	#5	3'-3"	#5
d1(E)	14	#5	4'-3"	#5
d2(E)	14	#5	7'-1"	#5
h(E)	10	#4	12'-5"	#4

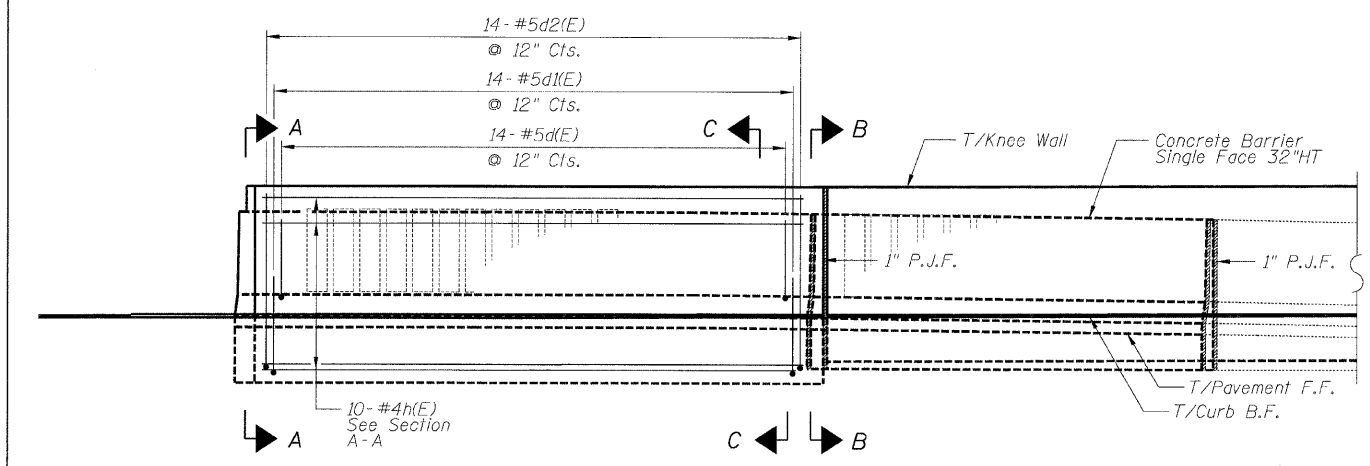
Item	Unit	Qty.
Concrete Superstructures	Cu. Yd.	8.9
Reinforcement Bars, Epoxy Coated	Pound	300
Rustication Finish	Sq. Ft.	20
Protective Coat	Sq. Yd.	15



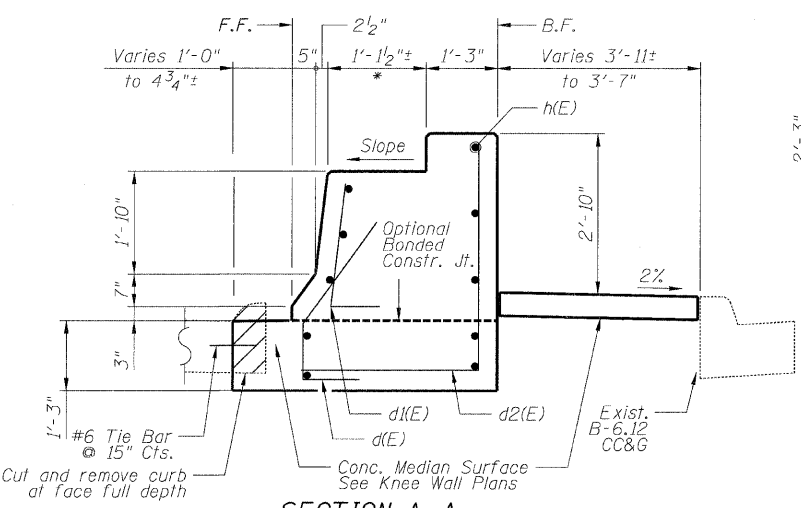
LOCATION PLAN



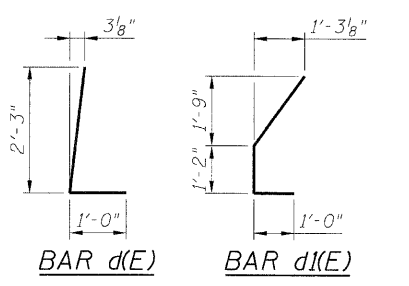
PLAN DETAIL



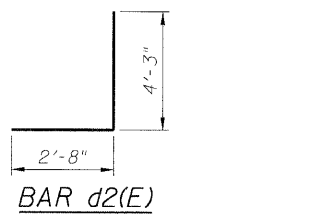
FRONT FACE ELEVATION



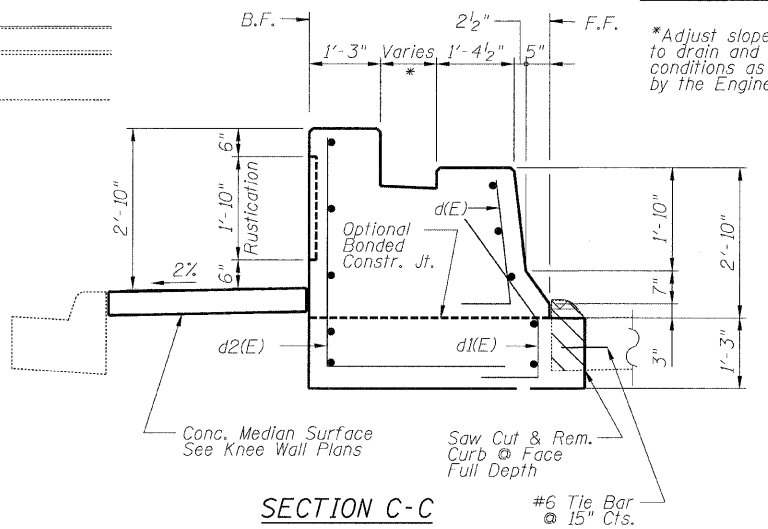
SECTION A-A



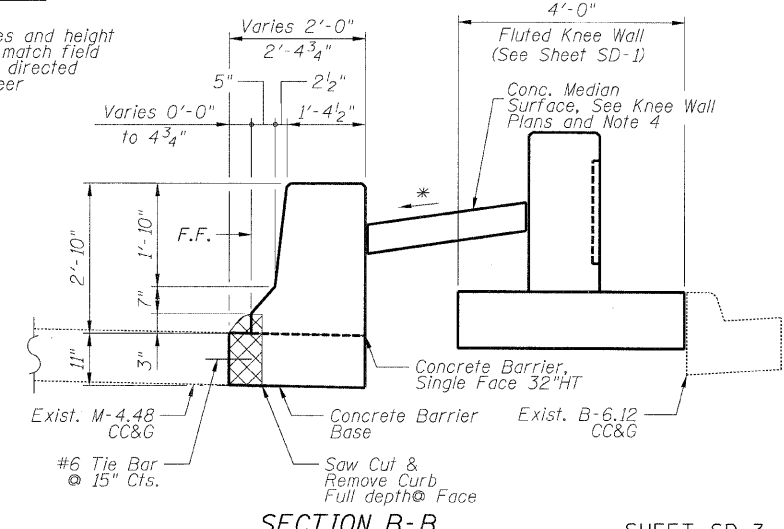
BAR d(E) BAR d1(E)



BAR d2(E)



SECTION C-C



SECTION B-B

SHEET SD-3

NOTES:

- F.F. and B.F. denote Front Face and Back Face of transition, respectively.
- Knee Wall/Barrier Transition shall be Paid as "Concrete Superstructure", "Reinforcement Bars, Epoxy Coated", "Rustication Finish" and "Protective Coat".
- Cost to saw cut and remove curb is incidental to Concrete Superstructures
- Conc. Median Surface btwn. SFCB and Knee Wall shall be placed on sand fill, see Knee Wall plans.

REVISIONS		DATE
NAME		3-6-08
REVISED		

ILLINOIS DEPARTMENT OF TRANSPORTATION
 F.A.I. 94/90 (DAN RYAN EXPRESSWAY)
 NORTHBOUND KNEE WALLS (35TH ST TO 33RD ST)

DETAIL B

SCALE: N.T.S.
 DATE: 03/06/08

DRAWN BY: PAH
 CHECKED BY: BLU

BOWMAN, BARRETT & ASSOCIATES INC.
 CONSULTING ENGINEERS
 Chicago, Illinois
 312.228.0100
 www.bbainc.com

3/16/2008 4:40:42 PM