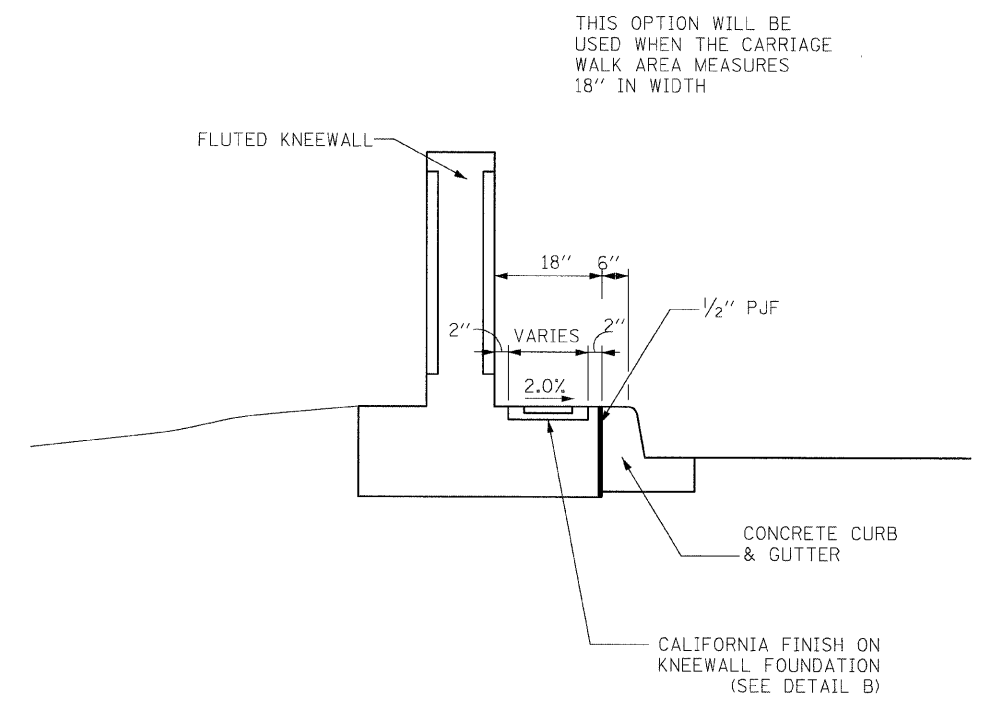
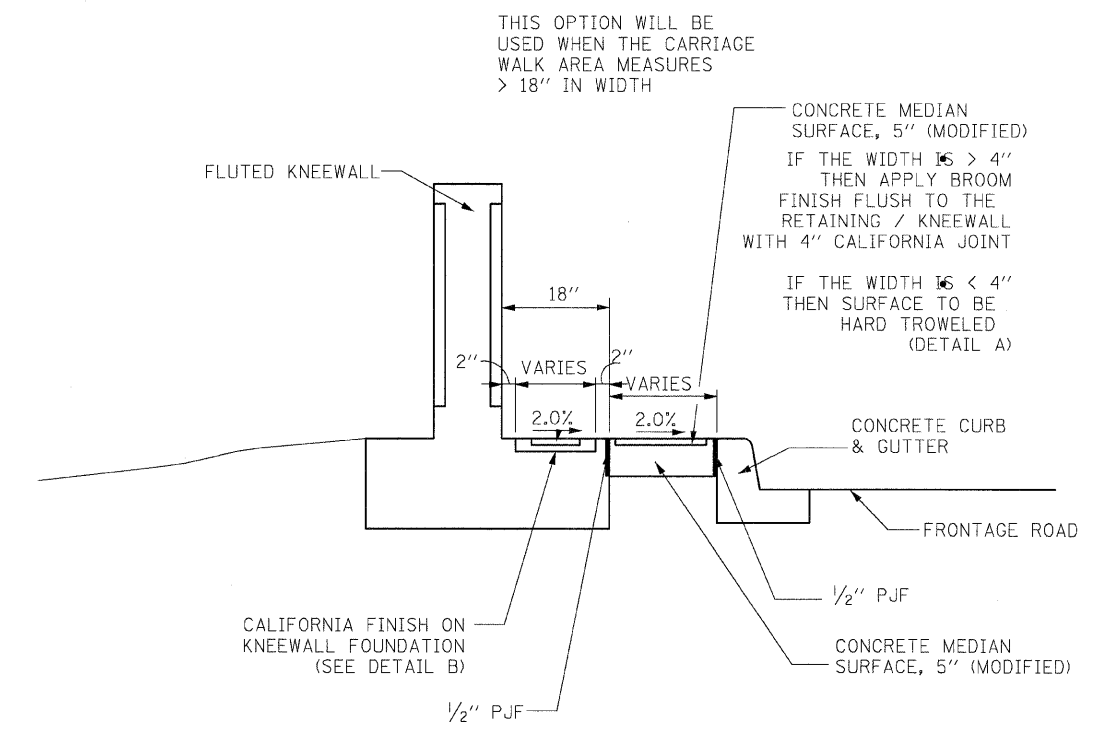


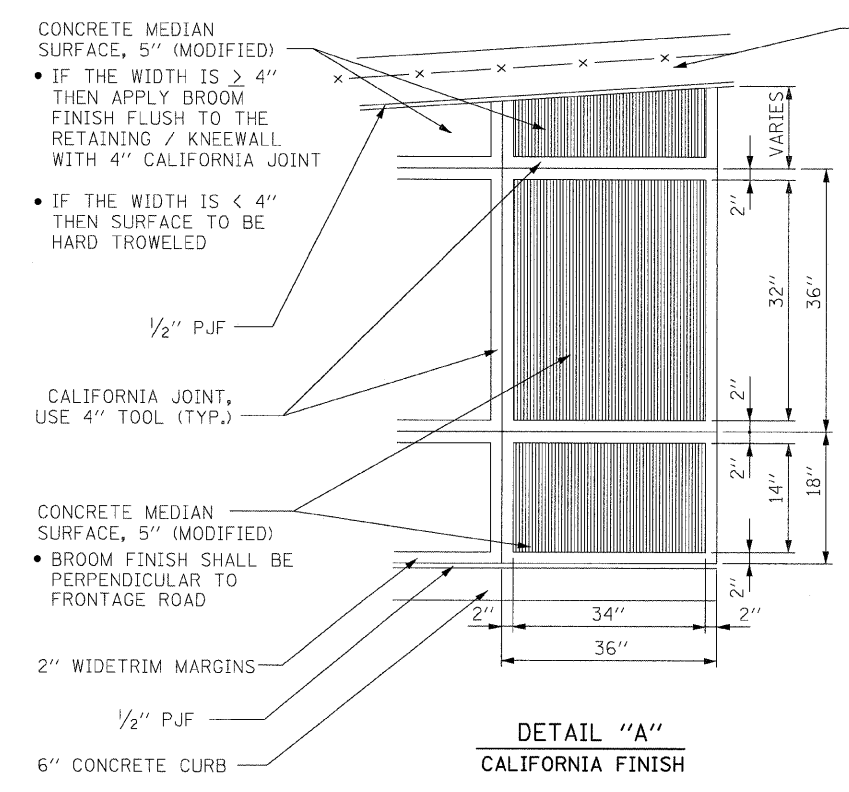
F.A.I.	SECTION	COUNTY	TOTAL SHEETS	SHEET NO.
94/90		COOK	29	17A
STA.	TO STA.			
FED. ROAD DIST. NO.	ILLINOIS FED. AID PROJECT			
62993	2324.6-1P-1-1			



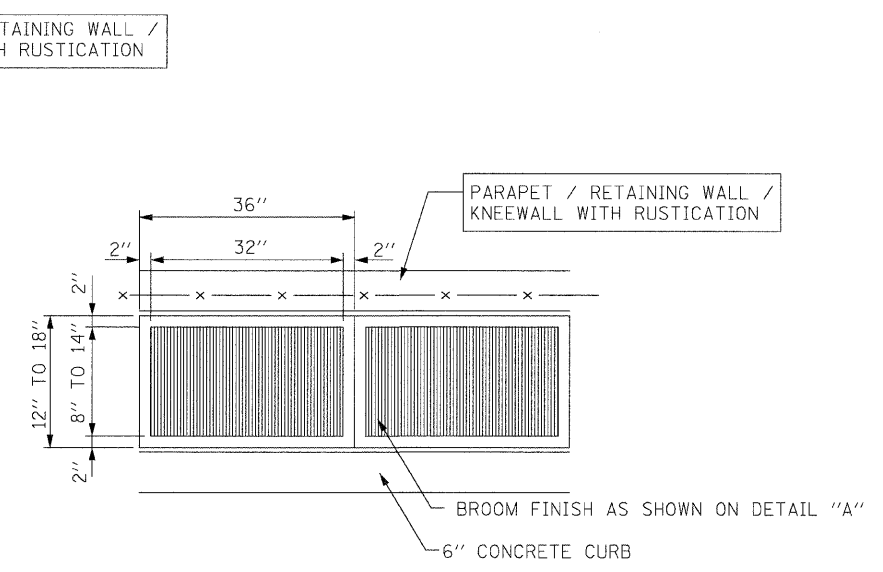
**CARRIAGE WALK**  
WIDTH = 18"



**CARRIAGE WALK**  
WIDTH > 18"



**DETAIL "A"**  
CALIFORNIA FINISH



**DETAIL "B"**  
CALIFORNIA FINISH

REVISIONS	
NAME	DATE
NEW SHEET	3-6-08

ILLINOIS DEPARTMENT OF TRANSPORTATION  
 F.A.I. 94/90 (DAN RYAN EXPRESSWAY)  
 GARFIELD BLVD TO 31ST STREET (NB LOCAL LANES)  
 ROADWAY DETAILS  
 CONCRETE MEDIAN SURFACE 5"  
 (MODIFIED) CALIFORNIA FINISH  
 SCALE: NONE  
 DATE: 03/06/08  
 DRAWN BY: CTE  
 CHECKED BY: JDC

BOWMAN, BARRETT & ASSOCIATES INC.  
 CONSULTING ENGINEERS  
 Chicago, Illinois  
 312.228.0100  
 www.bbainc.com

6/26/08 PM 3/16/2008  
 RDT-01