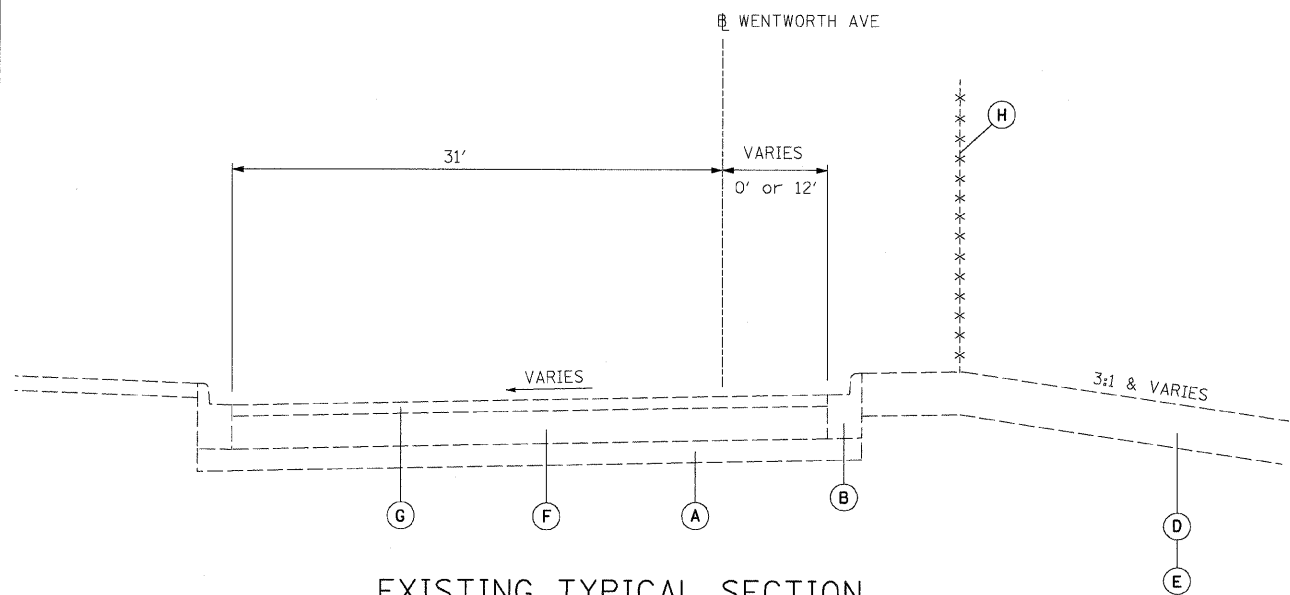
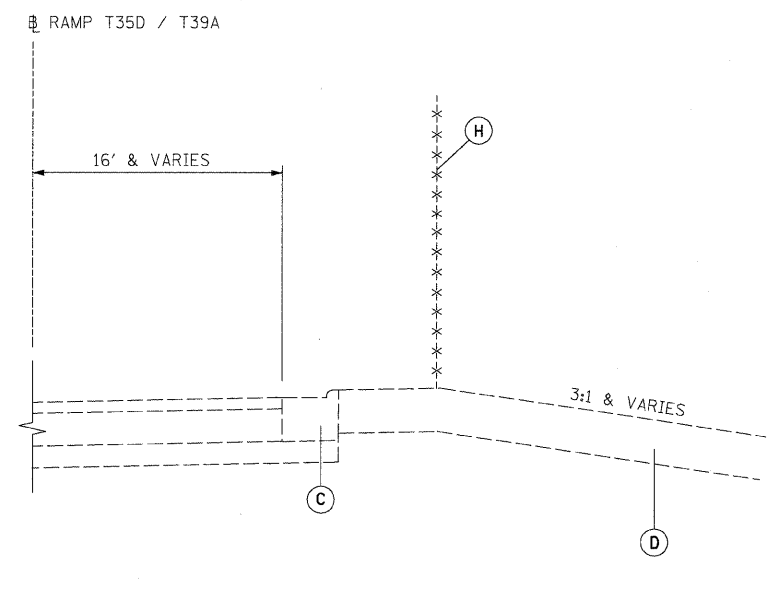


F.A.I.	SECTION	COUNTY	TOTAL SHEETS	SHEET NO.
94/90		COOK	38	4
STA.		TO STA.		
FED. ROAD DIST. NO.	ILLINOIS	FED. AID PROJECT		
62998		(2323.6-2P&2324.6-1P)1-3		



EXISTING TYPICAL SECTION

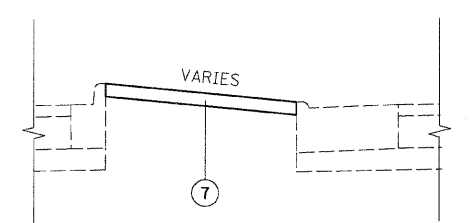
STA. 102+52 to 111+56
 STA. 113+96 to 116+66
 STA. 118+49 to 120+23
 STA. 124+01 to 126+04



STA. 7040+98 to 113+96
 STA. 116+66 to 5027+36

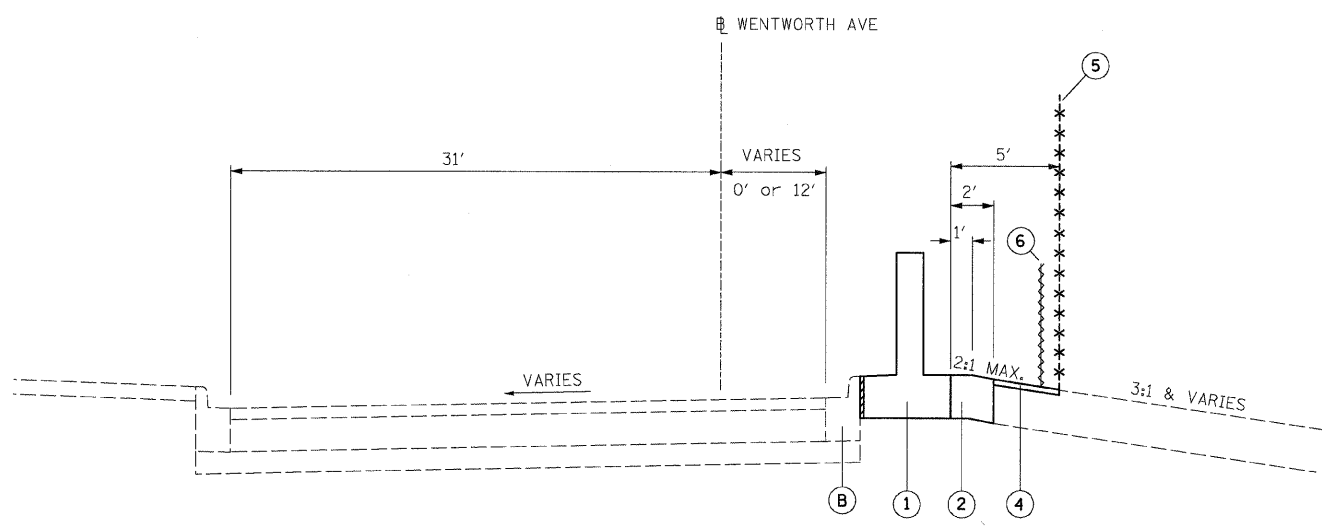
EXISTING LEGEND

- (A) GRANULAR MATERIAL, 6"
- (B) COMBINATION CONCRETE CURB AND GUTTER, TYPE B-6.12
- (C) COMBINATION CONCRETE CURB AND GUTTER, TYPE M-4.24
- (D) TOPSOIL, 4"
- (E) TOPSOIL, 12"
- (F) PORTLAND CEMENT CONCRETE PAVEMENT, 9"
- (G) BITUMINOUS CONCRETE, 3"
- (H) CHAIN LINK FENCE, 4"



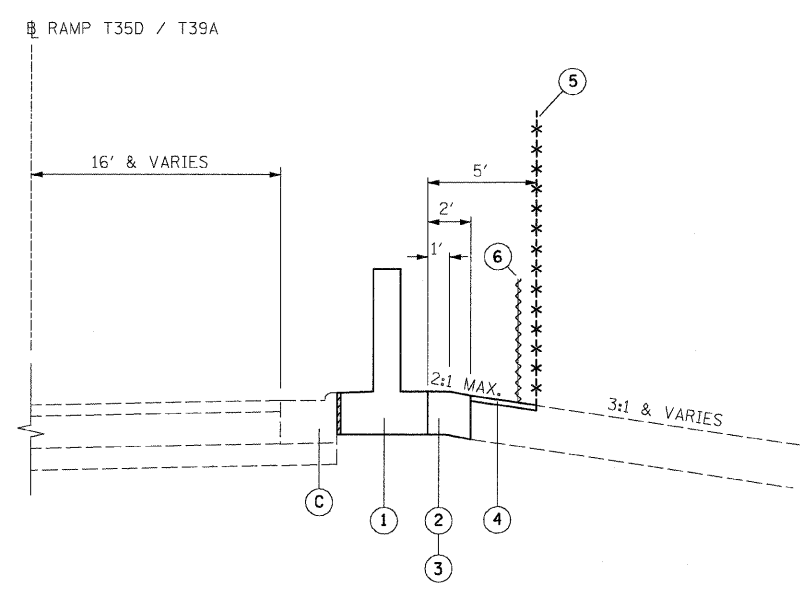
TYPICAL MEDIAN TREATMENT

STA. 111+13 to 111+74.22
 STA. 5026+95 to 5027+54



PROPOSED TYPICAL SECTION

STA. 102+52 to 111+56
 STA. 113+96 to 116+66
 STA. 118+49 to 120+23
 STA. 124+01 to 126+04



STA. 7040+98 to 113+96
 STA. 116+66 to 5027+36

PROPOSED LEGEND

- (1) FLUTED KNEE WALL
- (2) SEEDING, CLASS 2A / TOPSOIL FURNISH AND PLACE, 4" / EROSION CONTROL BLANKET
- (3) SEEDING, CLASS 2A / TOPSOIL FURNISH AND PLACE, 12" / EROSION CONTROL BLANKET
- (4) SEEDING, CLASS 2A / GROUND PREPARATION FOR SEEDING / EROSION CONTROL BLANKET
- (5) CHAIN LINK FENCE, 4' (SPECIAL)
- (6) SEDIMENT CONTROL, SILT FENCE (TO BE REMOVED AT PROJECT COMPLETION)
- (7) CONCRETE MEDIAN SURFACE, 6" (SPECIAL)

TYP-1

NOTES:

1. THICKNESS OF EXISTING PAVEMENT AND GRANULAR MATERIAL ARE TAKEN FROM RECORD DRAWING PLANS.
2. TYPICAL SECTIONS NEED TO BE VERIFIED WITH THE PLANS AS THEY ARE A REPRESENTATION OF THE PLANS. THEY DO NOT SHOW ALL CONFIGURATIONS, JUST THE MOST PREDOMINANT.

BOWMAN, BARRETT & ASSOCIATES INC.
 CONSULTING ENGINEERS
 Chicago, Illinois
 312.228.0100
 www.bbainc.com

REVISIONS	
NAME	DATE
REVISED	3-6-08

ILLINOIS DEPARTMENT OF TRANSPORTATION
 F.A.I. 94/90 (DAN RYAN EXPRESSWAY)
 SOUTHBOUND KNEE WALLS (PERSHING RD TO 35TH ST)

TYPICAL SECTIONS

SCALE: NTS
 DATE: 03/06/08

DRAWN BY: JDC
 CHECKED BY: RS

I:\660\road\94\90\32D\SHEET\5660_32D\T3504.dgn
 4/04/07 PM
 3/6/2008