

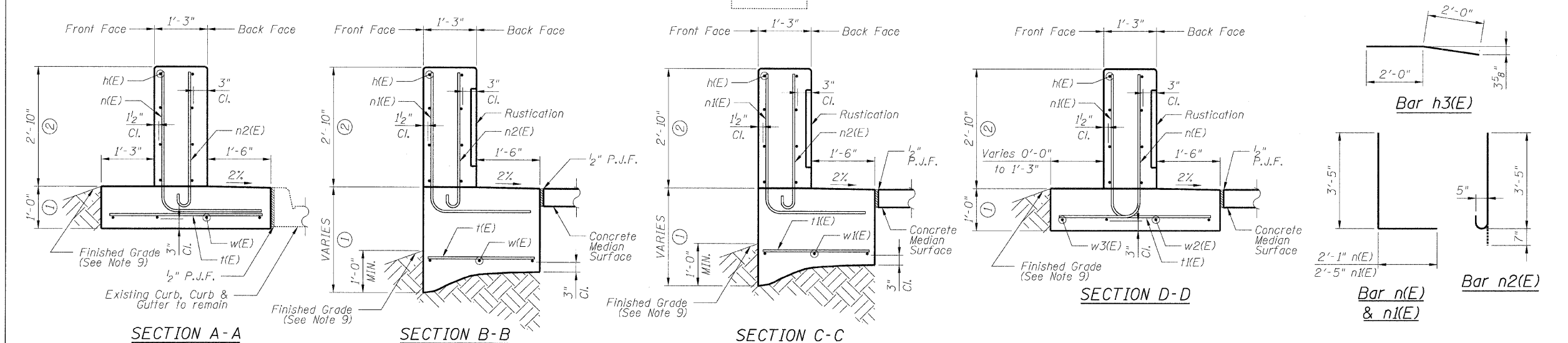
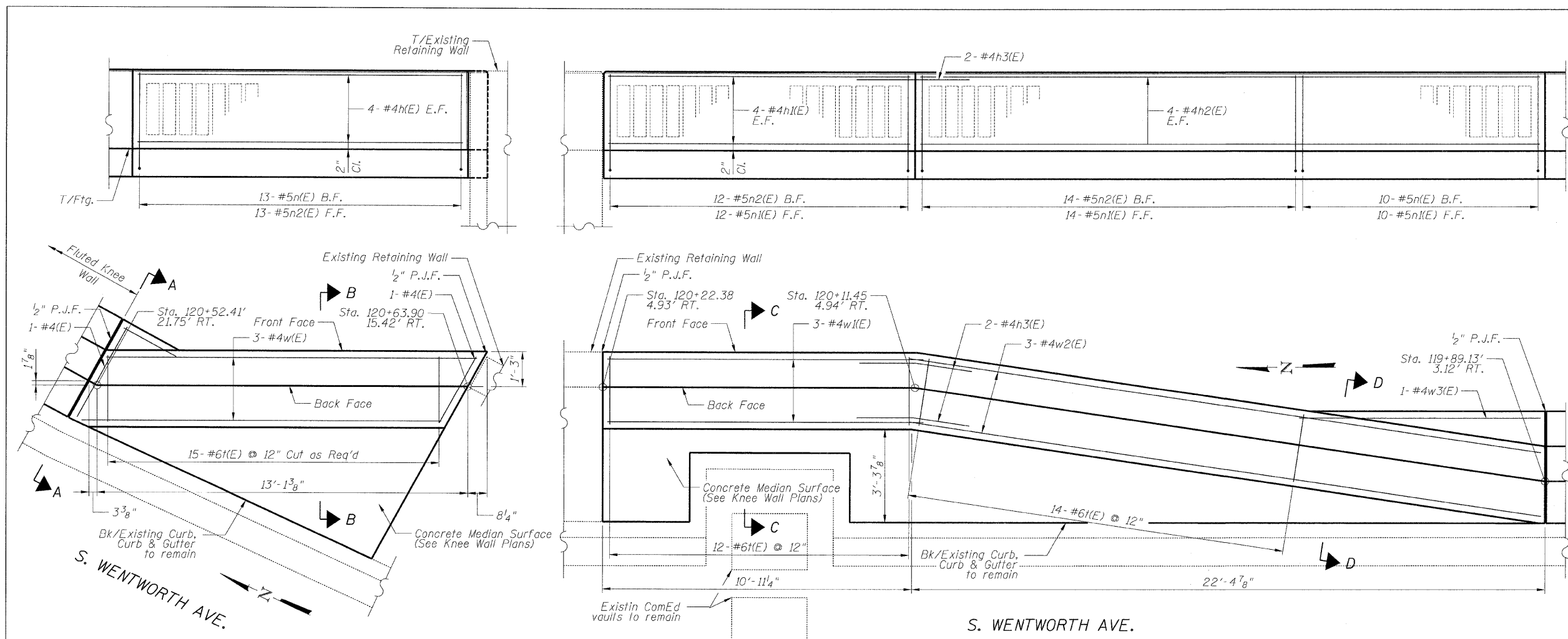
F.A.I.	SECTION	COUNTY	TOTAL SHEETS	SHEET NO.
94/90		COOK	38	18
STA.	TO STA.			
FED. ROAD DIST. NO.	ILLINOIS FED. AID PROJECT			
62998	(2323.6-2P&2324.6-1P)1-3			

DETAIL A REINFORCEMENT SCHEDULE AND BILL OF MATERIAL

Bar	No.	Size	Length	Shape
h1(E)	8	#4	12'-9"	—
n(E)	13	#5	5'-6"	L
n2(E)	13	#5	4'-0"	—
t(E)	15	#6	2'-5"	—
w(E)	3	#4	13'-1"	—
Item	Unit	Qty.		
Concrete Structures	Cu. Yd.	2.5		
Concrete Superstructure	Cu. Yd.	1.8		
Reinforcement Bars, Epoxy Coated	Pound	490		
Rustication Finish	Sq. Ft.	23		
Protective Coat	Sq. Yd.	9		

DETAIL C REINFORCEMENT SCHEDULE AND BILL OF MATERIAL

Bar	No.	Size	Length	Shape
h1(E)	8	#4	10'-9"	—
h2(E)	8	#4	22'-1"	—
h3(E)	4	#4	4'-0"	—
n(E)	10	#5	5'-6"	L
n1(E)	37	#5	5'-10"	L
n2(E)	27	#5	4'-0"	—
t(E)	27	#6	2'-5"	—
w1(E)	3	#4	10'-9"	—
w2(E)	3	#4	22'-1"	—
w3(E)	1	#4	8'-6"	—
Item	Unit	Qty.		
Concrete Structures	Cu. Yd.	9.9		
Concrete Superstructure	Cu. Yd.	5.3		
Reinforcement Bars, Epoxy Coated	Pound	760		
Rustication Finish	Sq. Ft.	58		
Protective Coat	Sq. Yd.	16		



NOTES:

- All stations and offsets measured from S. Wentworth Ave. @.
- Concrete: f'c = 3500 psi
- Provide California Finish on top of foundation between stem and Frontage Road. See Roadway Details
- At locations where Fluted Knee Wall abuts a rigid structure, a 1" thick Preformed Expansion Joint Filler conforming to the shape of the structure shall be installed between the wall and the structure.
- Apply Protective Coat to top and front face of stem and top of Frontage Road side of foundation.
- For Fluted Knee Wall standard details, see Sheet SD-1
- B.F. = Back Face
F.F. = Front Face
E.F. = Each Face
- Shape finished grade as required to match existing conditions.
- P.J.F. included in cost of concrete structures.

REVISIONS	
NAME	DATE
REVISED	3-6-08

SHEET SD-2

ILLINOIS DEPARTMENT OF TRANSPORTATION
F.A.I. 94/90 (DAN RYAN EXPRESSWAY)
SOUTHBOUND KNEE WALLS (PERSHING RD TO 35TH ST)

DETAIL A & DETAIL C

SCALE: N.T.S. DRAWN BY: PAH
DATE: 03/06/08 CHECKED BY: BLU

BOWMAN, BARRETT & ASSOCIATES INC.
CONSULTING ENGINEERS
Chicago, Illinois
312.228.0100
www.bbainc.com