

# STA. 1240 + 74 6'x5' DOUBLE BOX CULVERT

## LEGEND



### STAGE I REMOVAL

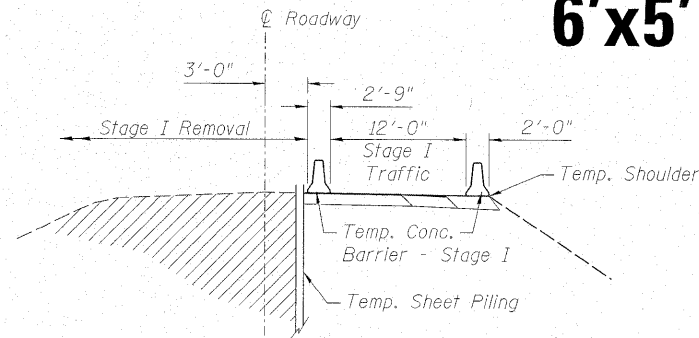
Construct temporary shoulder on north side of roadway as shown.

Install Temporary Concrete Barriers as shown to provide a single lane of traffic on the north side of the roadway.

Remove the pavement within the Stage I Removal limits.

Install Temporary Sheet Piling as shown.

Excavate embankment south of the Temporary Sheet Piling as required for construction of the new box culvert.



**STAGE I REMOVAL**  
Looking West

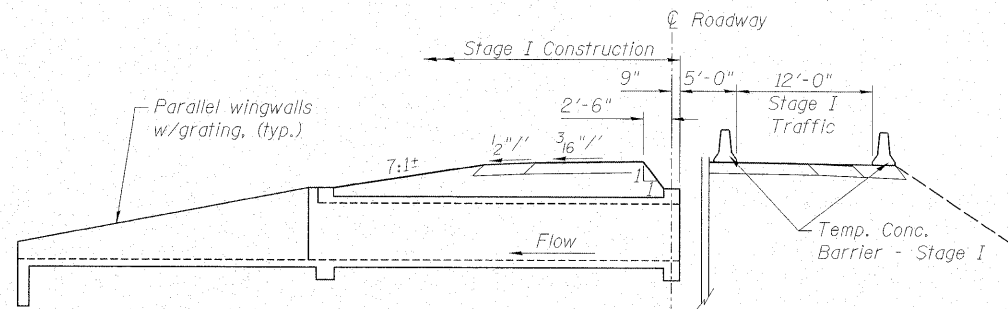
### STAGE I CONSTRUCTION

Construct new box culvert to limits shown.

Install additional sheet piling outside the limits of the proposed culvert from the sheet piling to the constructed portion of the new culvert.

Place required backfill behind completed portion of box culvert for construction of roadway.

Construct proposed embankment and proposed roadway on south side of road as shown.



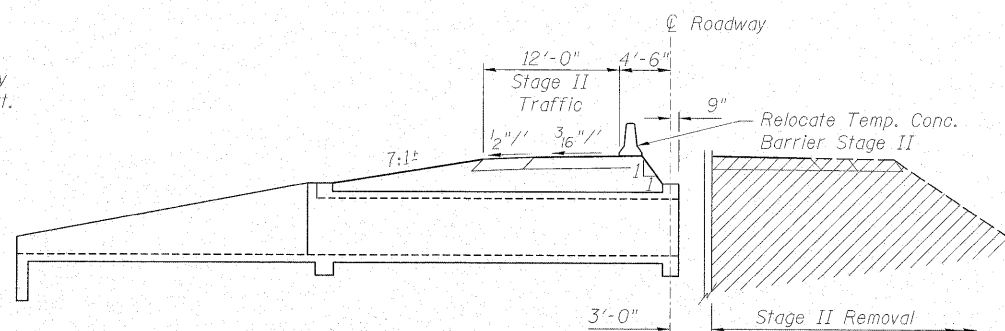
**STAGE I CONSTRUCTION**  
Looking West

### STAGE II REMOVAL

Reuse Temporary Concrete Barriers as shown to allow a single lane of traffic on west portion of new roadway completed in Stage I.

Excavate remainder of the embankment north of the Temporary Sheet Piling as needed for construction of the new box culvert.

Remove portion of sheet piling within the limits of the new box culvert as needed for construction of the culvert.



**STAGE II REMOVAL**  
Looking West

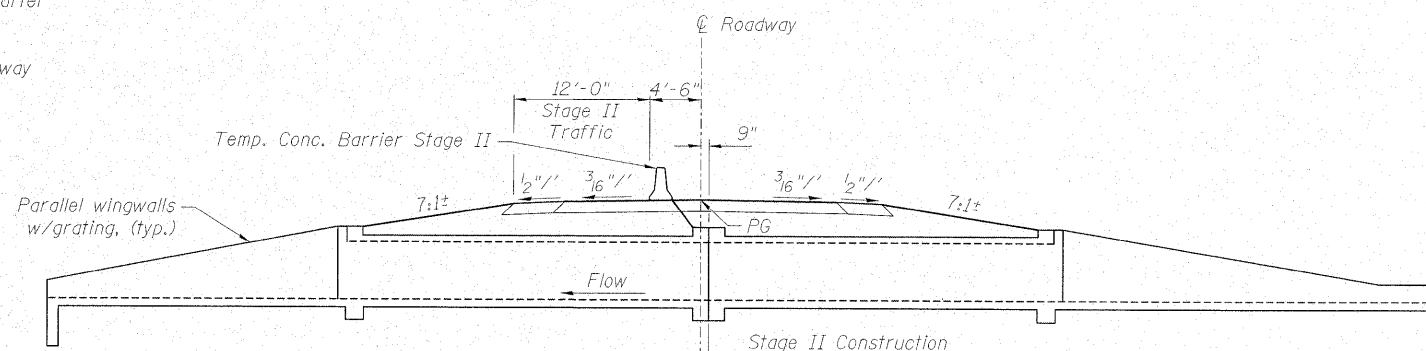
### STAGE II CONSTRUCTION

Construct new box culvert to limits shown.

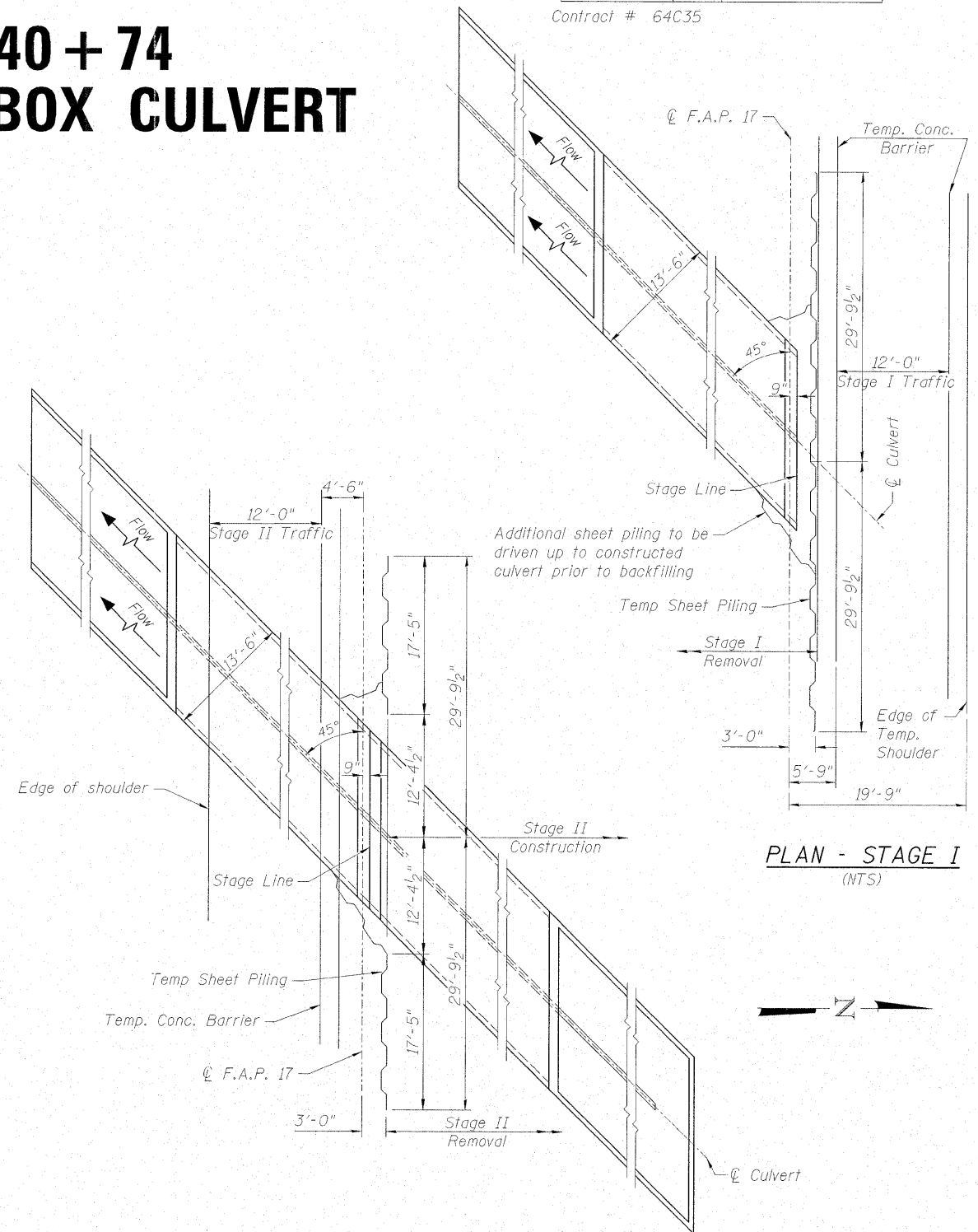
Complete required backfill behind box culvert for construction of roadway.

Remove Temporary Sheet Piling and timber lagging after completion of Stage II Construction.

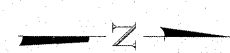
Construct proposed embankment and proposed roadway on north side of road as shown.



**STAGE II CONSTRUCTION**  
Looking West



**PLAN - STAGE II**  
(NTS)



DESIGNED	- BAS
CHECKED	- KEF
DRAWN	- LAD
CHECKED	- RJA

STAGE CONSTRUCTION DETAILS  
IL ROUTE 64/US ROUTE 52  
OVER UNNAMED TRIBUTARY  
TO STRADDLE CREEK  
FAP 17 - SECTION 15T-2  
CARROLL COUNTY  
STATION 1240+74  
STRUCTURE NO. 008-1098