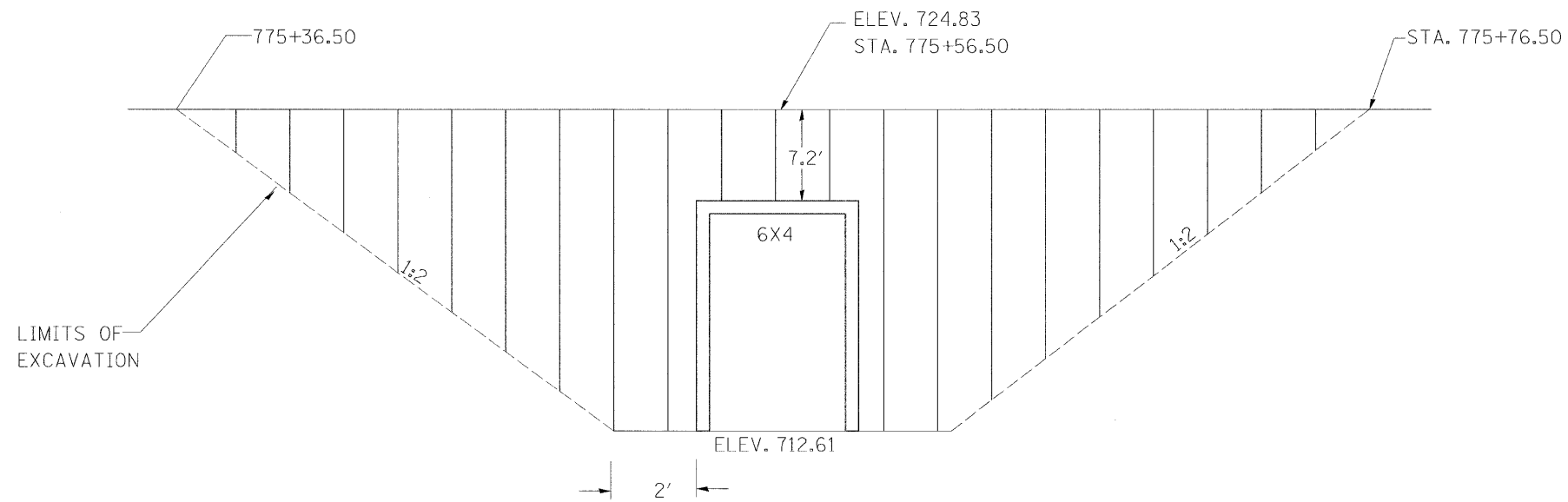


# BOX CULVERT TEMP SOIL RETENTION SYSTEM

6 X 4 BOX CULVERT

STA. 775+56.50



**TEMPORARY SOIL RETENTION SYSTEM STAGE I**

TOTAL AREA  
323 FT<sup>2</sup>

NOTES:

See Special Provisions.

Plan dimensions and details relative to existing structures have been taken from field survey. It shall be the Contractor's responsibility to verify such dimensions and details in the field and make necessary approved adjustments prior to construction or ordering of materials. Such variations shall not be cause for additional compensation for a change in the scope of work, however, the Contractor will be paid for the quantity actually furnished at the unit price bid for the work.

FILE NAME =	USER NAME = #USER#	DESIGNED -	REVISED -	<b>STATE OF ILLINOIS DEPARTMENT OF TRANSPORTATION</b>	<b>TEMPORARY SOIL RETENTION SYSTEM</b>	F.A.P. RTE.	SECTION	COUNTY	TOTAL SHEETS	SHEET NO.	
#FILE#		DRAWN -	REVISED -			638	136T	HENRY	34	21	
PLOT SCALE = #SCALE#		CHECKED -	REVISED -			CONTRACT NO. 64C57					
PLOT DATE = #DATE#		DATE -	REVISED -			ILLINOIS FED. AID PROJECT					
					SCALE: _____	SHEET NO. ___ OF ___ SHEETS		STA. _____ TO STA. _____			