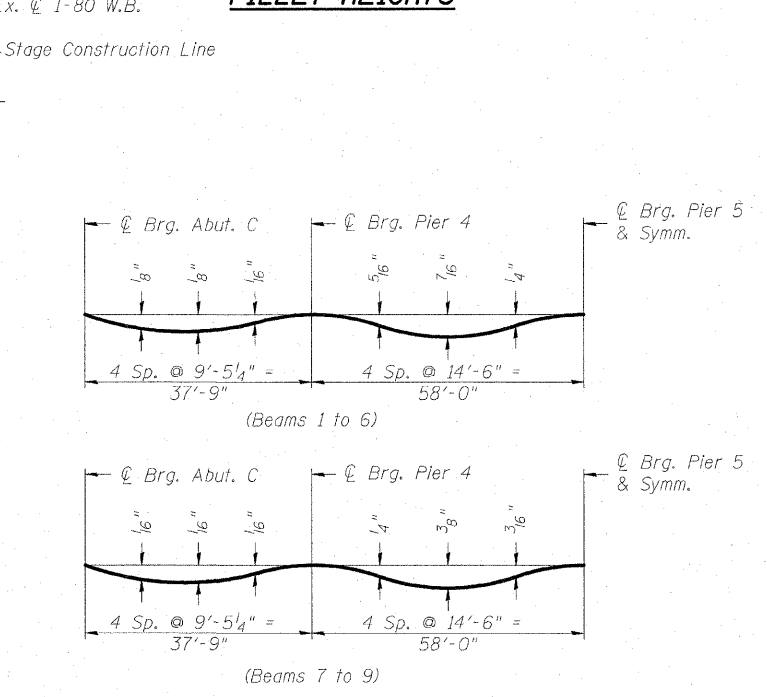
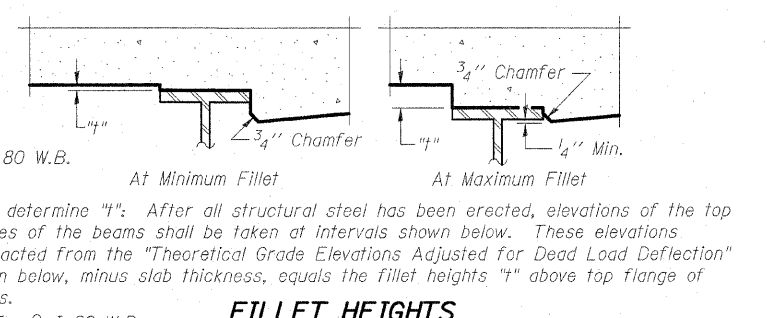
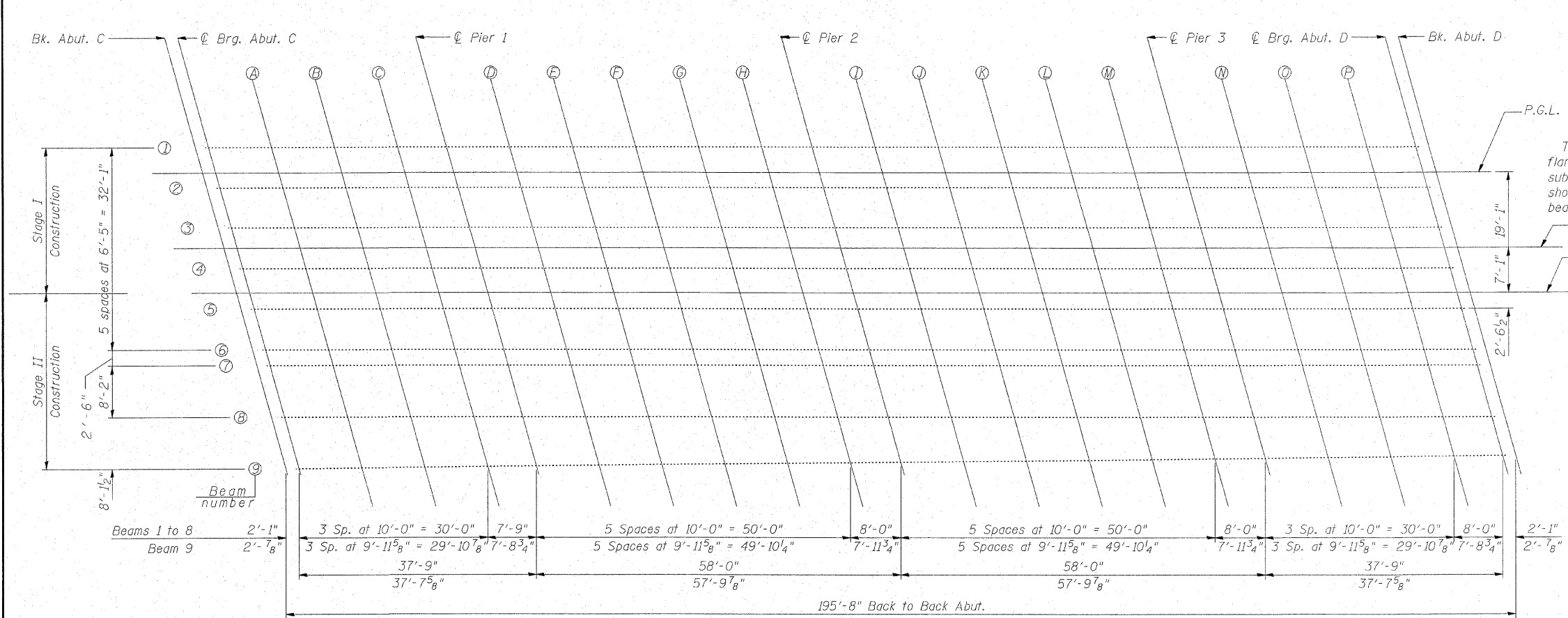


STATE OF ILLINOIS
DEPARTMENT OF TRANSPORTATION

Sheet S7 of S25

F.A.I. RTE.	SECTION	COUNTY	TOTAL SHEETS	SHEET NO.
80	81-IHBY-D	ROCK ISLAND	120	30
FED. ROAD DIST. NO. 2 ILLINOIS			FED. AID PROJECT	

Contract # 64C74



PLAN

DEAD LOAD DEFLECTION DIAGRAM

(Includes weight of concrete only.)

Note:
The above deflections are not to be used in the field if the engineer is working from the grade elevations adjusted for dead load deflections as shown below.

BEAM 1				
Location	Station	Offset	Theoretical Grade Elevations	Theor. Grade Elevations Adj. For Dead Load Deflection
Bk. Abut. C	216+91.88	-4.04	613.58	613.58
⊕ Brg. Abut. C	216+93.97	-4.04	613.52	613.52
A	217+03.97	-4.04	613.22	613.22
B	217+13.97	-4.04	612.92	612.92
C	217+23.97	-4.04	612.62	612.62
⊕ Brg. Pier 4	217+31.72	-4.04	612.38	612.38
D	217+41.72	-4.04	612.08	612.10
E	217+51.72	-4.04	611.78	611.81
F	217+61.72	-4.04	611.48	611.52
G	217+71.72	-4.04	611.18	611.21
H	217+81.72	-4.04	610.88	610.89
⊕ Brg. Pier 5	217+89.72	-4.04	610.64	610.64
I	217+99.72	-4.04	610.34	610.35
J	218+09.72	-4.04	610.04	610.07
K	218+19.72	-4.04	609.74	609.78
L	218+29.72	-4.04	609.44	609.47
M	218+39.72	-4.04	609.14	609.16
⊕ Brg. Pier 6	218+47.72	-4.04	608.90	608.90
N	218+57.72	-4.04	608.60	608.61
O	218+67.72	-4.04	608.30	608.31
P	218+77.72	-4.04	608.00	608.01
⊕ Brg. Abut. D	218+85.47	-4.04	607.77	607.77
Bk. Abut. D	218+87.55	-4.04	607.71	607.71

PGL				
Location	Station	Offset	Theoretical Grade Elevations	Theor. Grade Elevations Adj. For Dead Load Deflection
Bk. Abut. C	216+93.02	0.00	613.63	613.63
⊕ Brg. Abut. C	216+95.10	0.00	613.57	613.57
A	217+05.10	0.00	613.27	613.27
B	217+15.10	0.00	612.97	612.97
C	217+25.10	0.00	612.67	612.67
⊕ Brg. Pier 4	217+32.85	0.00	612.43	612.43
D	217+42.85	0.00	612.13	612.15
E	217+52.85	0.00	611.83	611.86
F	217+62.85	0.00	611.53	611.57
G	217+72.85	0.00	611.23	611.26
H	217+82.85	0.00	610.93	610.94
⊕ Brg. Pier 5	217+90.85	0.00	610.69	610.69
I	218+00.85	0.00	610.39	610.40
J	218+10.85	0.00	610.09	610.12
K	218+20.85	0.00	609.79	609.83
L	218+30.85	0.00	609.49	609.52
M	218+40.85	0.00	609.19	609.21
⊕ Brg. Pier 6	218+48.85	0.00	608.95	608.95
N	218+58.85	0.00	608.65	608.66
O	218+68.85	0.00	608.35	608.36
P	218+78.85	0.00	608.05	608.06
⊕ Brg. Abut. D	218+86.60	0.00	607.82	607.82
Bk. Abut. D	218+88.68	0.00	607.76	607.76

BEAM 2				
Location	Station	Offset	Theoretical Grade Elevations	Theor. Grade Elevations Adj. For Dead Load Deflection
Bk. Abut. C	216+93.68	2.38	613.65	613.65
⊕ Brg. Abut. C	216+95.77	2.38	613.58	613.58
A	217+05.77	2.38	613.28	613.29
B	217+15.77	2.38	612.98	612.99
C	217+25.77	2.38	612.68	612.68
⊕ Brg. Pier 4	217+33.52	2.38	612.45	612.45
D	217+43.52	2.38	612.15	612.17
E	217+53.52	2.38	611.85	611.88
F	217+63.52	2.38	611.55	611.58
G	217+73.52	2.38	611.25	611.27
H	217+83.52	2.38	610.95	610.96
⊕ Brg. Pier 5	217+91.52	2.38	610.71	610.71
I	218+01.52	2.38	610.41	610.42
J	218+11.52	2.38	610.11	610.14
K	218+21.52	2.38	609.81	609.84
L	218+31.52	2.38	609.51	609.54
M	218+41.52	2.38	609.21	609.22
⊕ Brg. Pier 6	218+49.52	2.38	608.97	608.97
N	218+59.52	2.38	608.67	608.67
O	218+69.52	2.38	608.37	608.38
P	218+79.52	2.38	608.07	608.08
⊕ Brg. Abut. D	218+87.27	2.38	607.84	607.84
Bk. Abut. D	218+89.35	2.38	607.78	607.77

PATRICK
ENGINEERING INC.
LISLE, ILLINOIS

Revised. April 8, 2008.

ILLINOIS DEPARTMENT OF TRANSPORTATION
TOP OF SLAB ELEVATIONS III (EB BRIDGE)
INTERSTATE 80 OVER INTERSTATE 88
F.A.I. ROUTE 80 - SECTION 81-IHBY-D
ROCK ISLAND COUNTY
STATION 217+81.50
EB S.N. 081-0012 & WB 081-0013
DRAWN BY: M. Woldezion
CHECKED BY: A. Yargicoglu
DATE: FEBRUARY 27, 2008