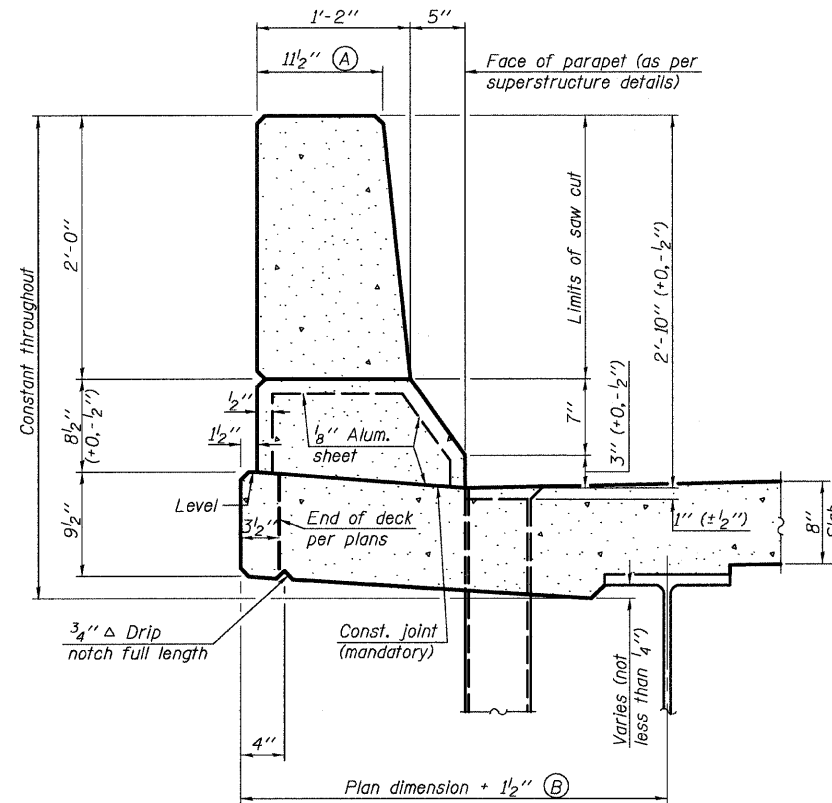


STATE OF ILLINOIS
DEPARTMENT OF TRANSPORTATION

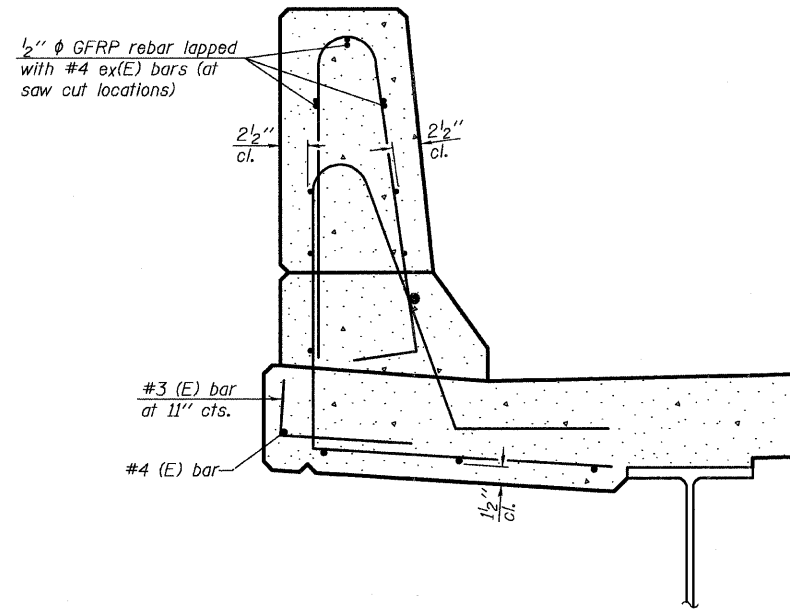
Sheet S15 of S25

F.A.I. RTE.	SECTION	COUNTY	TOTAL SHEETS	SHEET NO.
80	81-IHBY-D	ROCK ISLAND	120	44
FED. ROAD DIST. NO. 2		ILLINOIS	FED. AID PROJECT	

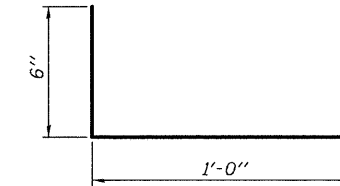
Contract # 64C74



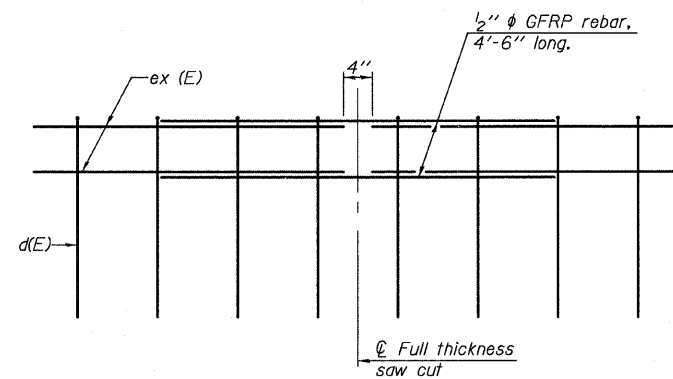
SECTION
(Showing dimensions)



SECTION
(Showing reinforcement clearances for slip forming and additional reinforcement bars)



#3 (E) BAR



GFRP REBAR STIFFENING DETAIL
(Place as shown in parapet section at each parapet joint location.)

GENERAL NOTES

All dimensions shall remain the same as shown on contract plans, except dimensions A and B which are to be revised as shown to provide additional clearance. Additional concrete needed to revise dimension A and B= 0.0165 cu. yds./ft. of parapet.
Place aluminum sheet in curb portion at and near piers. Full thickness saw cut at all joint locations in lieu of cork joint filler.

SHEETS: 11
 DATES: 07
 REVISED: 07
 TIMES: 07
 FILES: 07

PATRICK
ENGINEERING INC.
Lisle, Illinois

9-3-07

R-27

11-1-06

ILLINOIS DEPARTMENT OF TRANSPORTATION
**CONCRETE PARAPET
SLIPFORMING OPTION**
INTERSTATE 80 OVER INTERSTATE 88
F.A.I. ROUTE 80 - SECTION 81-IHBY-D
ROCK ISLAND COUNTY
STATION 217+81.50
EB S.N. 081-0012 & WB 081-0013
DATE: FEBRUARY 27, 2008
DRAWN BY: A. Yargicoglu
CHECKED BY: A. Durbak