

STATE OF ILLINOIS
DEPARTMENT OF TRANSPORTATION

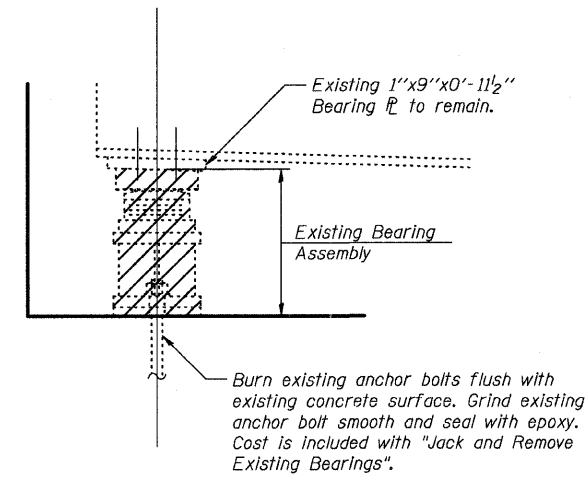
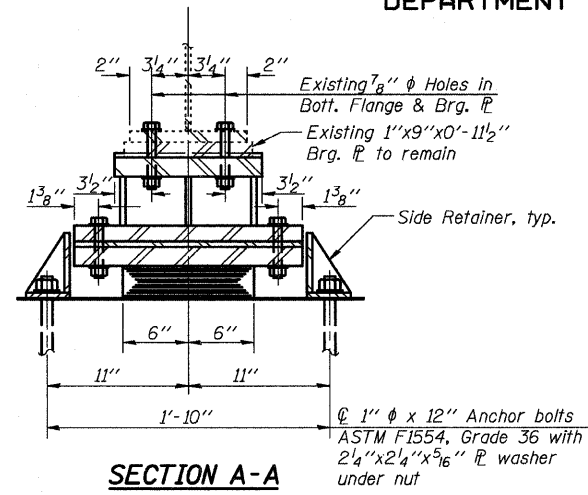
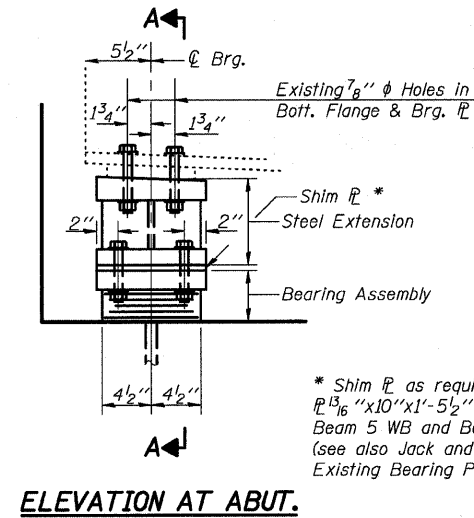
Sheet S21 of S25

F.A.I. RTE.	SECTION	COUNTY	TOTAL SHEETS	SHEET NO.
80	81-IHBY-D	ROCK ISLAND	120	50
FED. ROAD DIST. NO. 2		ILLINOIS	FED. AID PROJECT	

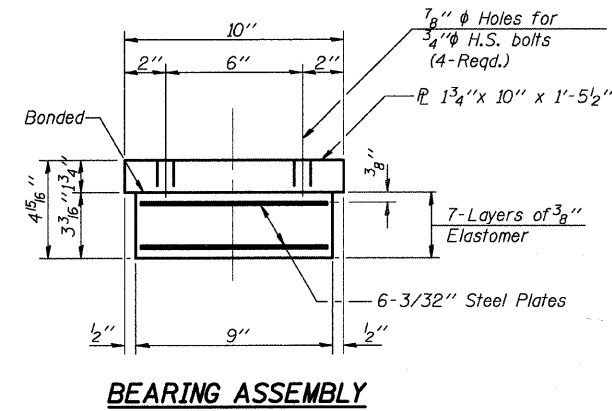
Contract # 64C74

**JACK AND REMOVE
EXISTING BEARING PROCEDURE**

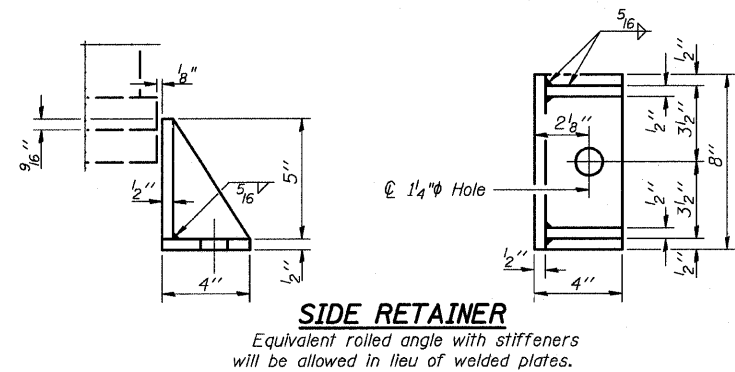
This work shall be done as specified in the Special Provision "Jack and Remove Existing Bearings." The maximum dead load reaction per beam (weight of steel only) is 1.0 Tons. Min. Jack capacity shall be 2.0 Tons.
Prior to ordering any material, the Contractor shall verify steel extension and shim plate thickness required at each bearing.
The bottom of the bearing plate to remain shall be cleaned as specified in the Special Provision "Cleaning and Painting Contact surface Areas of Existing Steel Structures."



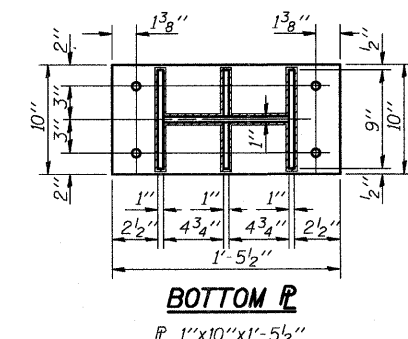
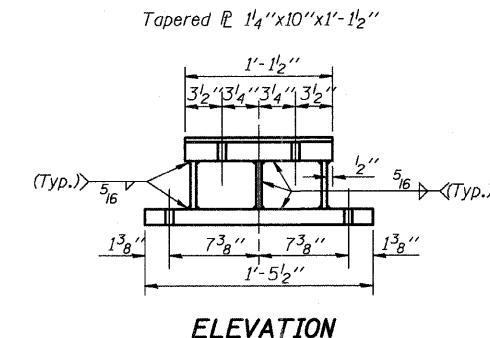
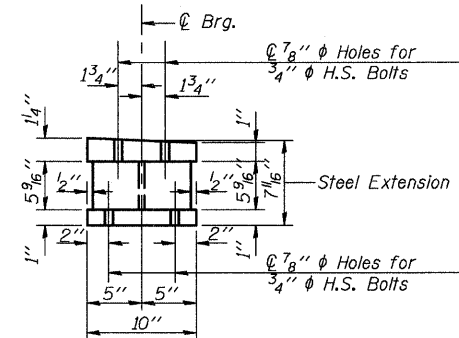
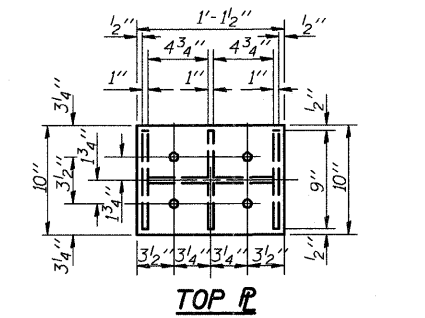
TYPE I ELASTOMERIC EXP. BRG.



Note:
Shim plates shall not be placed under Bearing Assembly.



EXISTING BEARING REMOVAL DETAIL



STEEL EXTENSION

Notes:
Anchor bolts shall be ASTM F1554 all-thread (or an Engineer-approved alternate material) of the grade(s) and diameter(s) specified. ASTM A307 Grade C anchor bolts may be used in lieu of ASTM F1554 Grade 36 (Fy=36ksi). The corresponding specified grade of AASHTO M314 anchor bolts may be used in lieu of ASTM F1554.
Anchor bolts for side retainers shall be installed in holes drilled before or after members are in place.
Drilled and set anchor bolts shall be installed according to Article 521.06 of the Standard Specifications.
The existing abutment diaphragm may be removed and reinstalled if required for anchor bolt installation. The cost of this work shall be included in the cost of Anchor Bolts, 1".
Two 1/8" adjusting shims shall be provided for each bearing in addition to all other plates and shims and placed as shown on bearing details.
H.S. bolts in bearing assembly shall be galvanized according to AASHTO M298 Class 50.

BILL OF MATERIAL

Item	Unit	Total
Furnishing and Erecting Structural Steel	Pound	4,672
Jack and Remove Existing Bearings	Each	24
Elastomeric Bearing Assembly Type I	Each	24
Anchor Bolts, 1"	Each	48

ILLINOIS DEPARTMENT OF TRANSPORTATION
**BEARING DETAILS I
(BEAMS 1 TO 6)**
INTERSTATE 80 OVER INTERSTATE 88
F.A.I. ROUTE 80 - SECTION 81-IHBY-D
ROCK ISLAND COUNTY
STATION 217+81.50
EB S.N. 081-0012 & WB 081-0013
DRAWN BY: R. Kaye
CHECKED BY: A. Yarglooglu
DATE: FEBRUARY 27, 2008

I-2E-1

9-3-07

PATRICK
ENGINEERING INC.
LISLE, ILLINOIS

FILES 8 TIMES