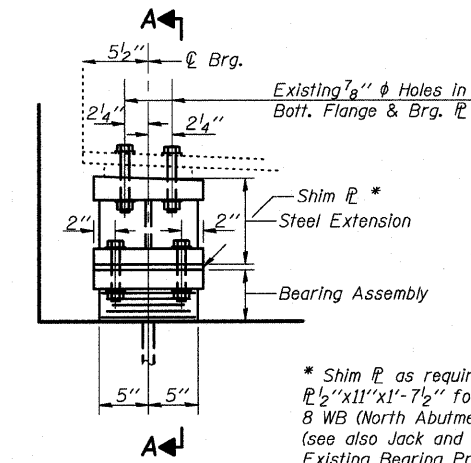


STATE OF ILLINOIS
DEPARTMENT OF TRANSPORTATION

Sheet S22 of S25

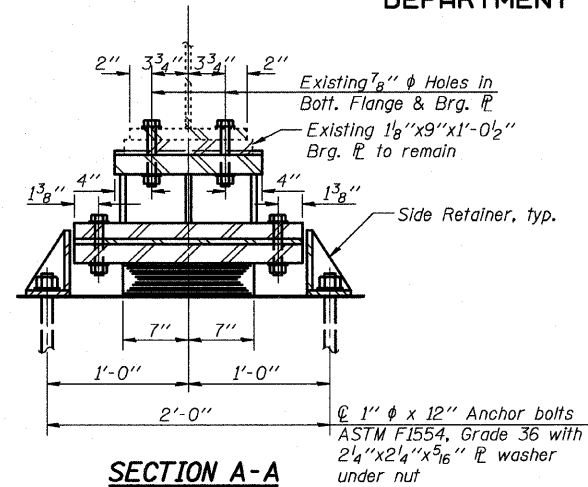
F.A.I. RTE.	SECTION	COUNTY	TOTAL SHEETS	SHEET NO.
80	81-IHBY-D	ROCK ISLAND	120	51
FED. ROAD DIST. NO. 2 ILLINOIS FED. AID PROJECT				

Contract # 64C74



ELEVATION AT ABUT.

* Shim P as required.
P 1/2"x11"x1'-7 1/2" for Beam
8 WB (North Abutment only).
(See also Jack and Remove
Existing Bearing Procedure)

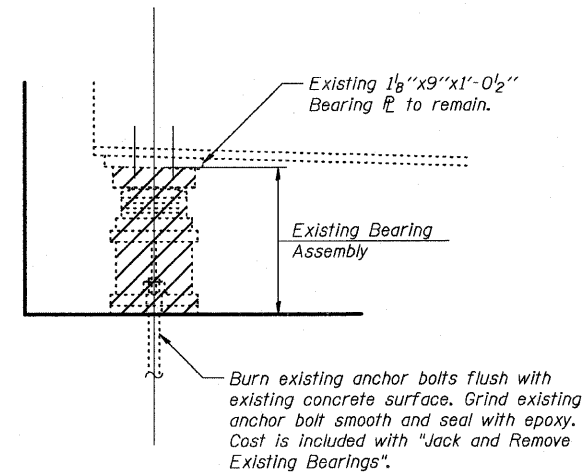


SECTION A-A

Existing 1 1/8"x9"x1'-0 1/2"
Brg. P to remain

Side Retainer, typ.

1" x 12" Anchor bolts
ASTM F1554, Grade 36 with
2 1/4"x2 1/4"x5 1/8" P washer
under nut



EXISTING BEARING REMOVAL DETAIL

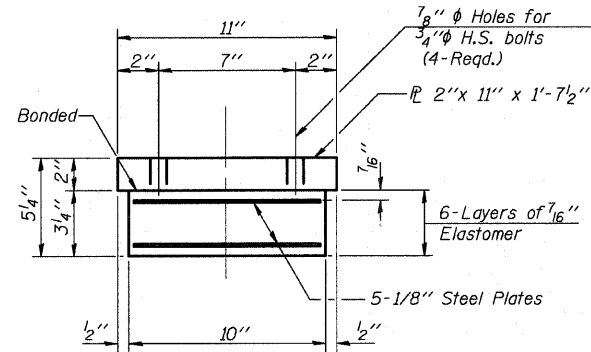
JACK AND REMOVE
EXISTING BEARING PROCEDURE

This work shall be done as specified in the Special Provision "Jack and Remove Existing Bearings." The maximum dead load reaction per beam (weight of steel only) is 1.2 Tons. Min. jack capacity shall be 2.4 Tons.

Prior to ordering any material, the Contractor shall verify steel extension and shim plate thickness required at each bearing.

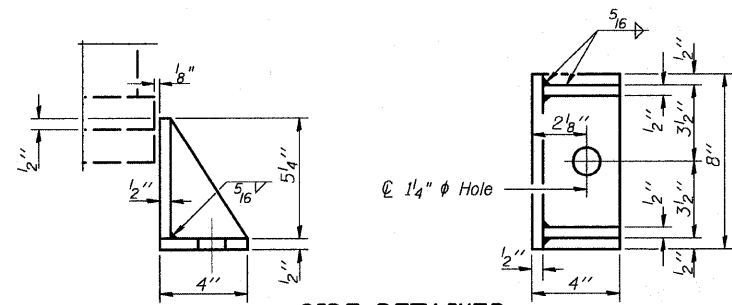
The bottom of the bearing plate to remain shall be cleaned as specified in the Special Provision "Cleaning and Painting Contact Surface Areas of Existing Steel Structures."

TYPE I ELASTOMERIC EXP. BRG.



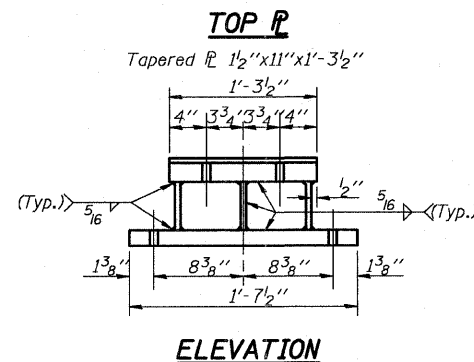
BEARING ASSEMBLY

Note:
Shim plates shall not be placed
under Bearing Assembly.

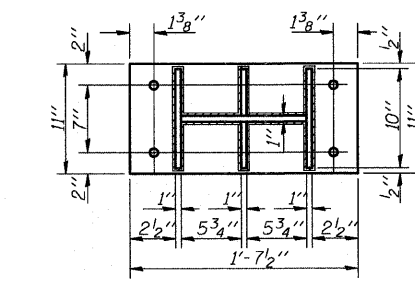


SIDE RETAINER

Equivalent rolled angle with stiffeners
will be allowed in lieu of welded plates.



ELEVATION



BOTTOM P

P 1"x11"x1'-7 1/2"

STEEL EXTENSION

Notes:

Anchor bolts shall be ASTM F1554 all-thread (or an Engineer-approved alternate material) of the grade(s) and diameter(s) specified. ASTM A307 Grade C anchor bolts may be used in lieu of ASTM F1554 Grade 36 (Fy=36ksi). The corresponding specified grade of AASHTO M314 anchor bolts may be used in lieu of ASTM F1554.

Anchor bolts for side retainers shall be installed in holes drilled before or after members are in place.

Drilled and set anchor bolts shall be installed according to Article 521.06 of the Standard Specifications.

The existing abutment diaphragms may be removed and reinstalled if required for anchor bolt installation. The cost of this work shall be included in the cost of Anchor Bolts, 1". Two 1/8" adjusting shims shall be provided for each bearing in addition to all other plates and shims and placed as shown on bearing details.

H.S. bolts in bearing assembly shall be galvanized according to AASHTO M298 Class 50.

BILL OF MATERIAL

Item	Unit	Total
Furnishing and Erecting Structural Steel	Pound	2,780
Jack and Remove Existing Bearings	Each	12
Elastomeric Bearing Assembly Type I	Each	12
Anchor Bolts, 1"	Each	24

ILLINOIS DEPARTMENT OF TRANSPORTATION

BEARING DETAILS II
(BEAMS 7 TO 9)

INTERSTATE 80 OVER INTERSTATE 88
F.A.I. ROUTE 80 - SECTION 81-IHBY-D
ROCK ISLAND COUNTY
STATION 217+81.50
EB S.N. 081-0012 & WB 081-0013

DATE: FEBRUARY 27, 2008
DRAWN BY: R. Kaye
CHECKED BY: A. Yorgiooglu

I-2E-1

9-3-07

PATRICK
ENGINEERING INC.
LISLE, ILLINOIS