

STATE OF ILLINOIS
DEPARTMENT OF TRANSPORTATION

Sheet S25 of S25

F.A.I. RTE.	SECTION	COUNTY	TOTAL SHEETS	SHEET NO.
80	81-IHBY-D	ROCK ISLAND	120	54
FED. ROAD DIST. NO. 2		ILLINOIS	FED. AID PROJECT	

Contract # 64C74

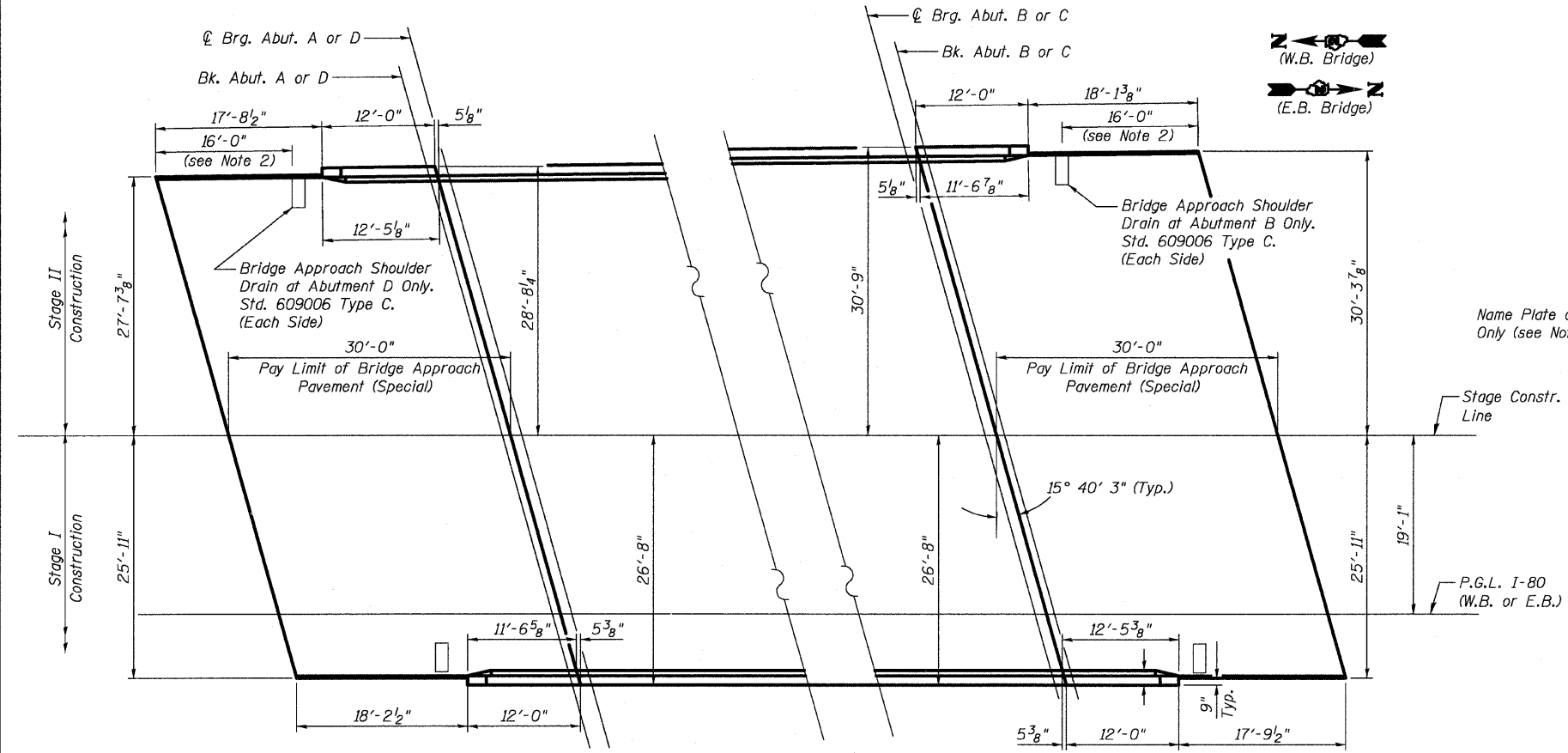
REINFORCEMENT BAR SCHEDULE

(For the Barriers only for 4 Approach Pavements.)

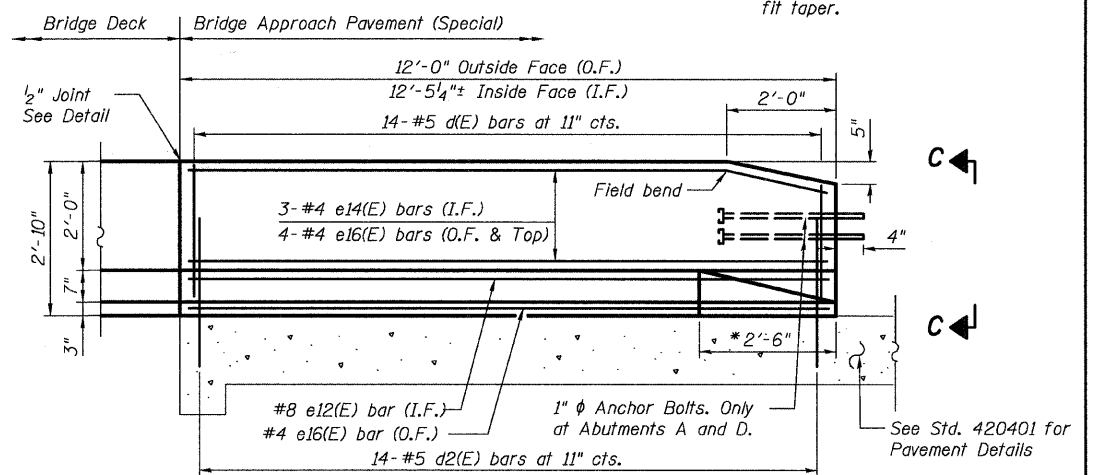
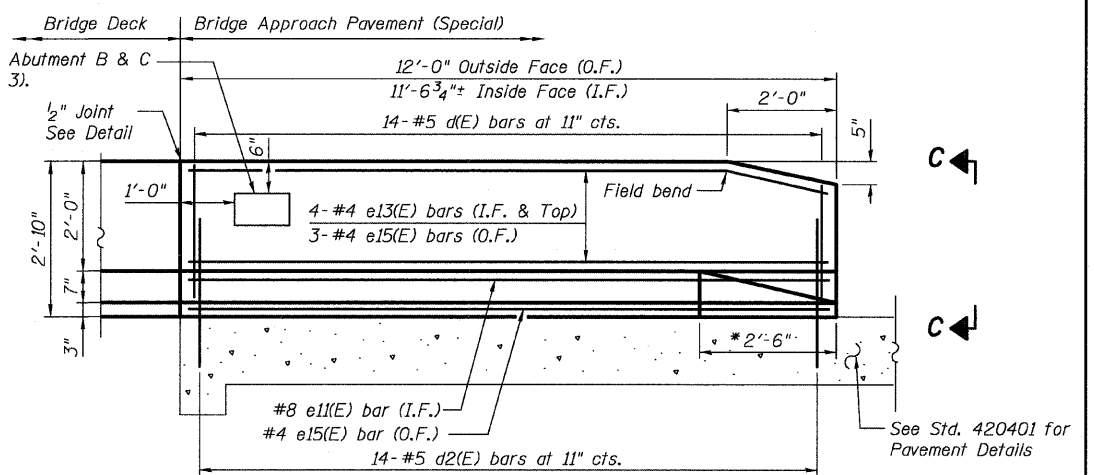
Bar	No.	Size	Length	Shape
d(E)	112	#5	5'-7"	
d2(E)	112	#5	7'-5"	
e11(E)	4	#8	11'-0"	
e12(E)	4	#8	11'-10"	
e13(E)	16	#4	11'-0"	
e14(E)	12	#4	11'-10"	
e15(E)	16	#4	11'-7"	
e16(E)	20	#4	11'-9"	

BILL OF MATERIAL
(For 4 Approach Pavements.)

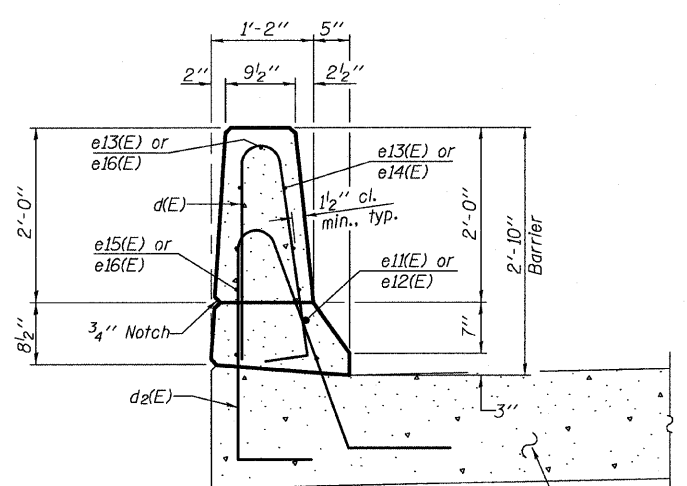
Item	Unit	Quantity
Bridge Approach Pavement (Special)	Sq. Yd.	740
Protective Coat	Sq. Yd.	41
Type C Inlet Box, Standard 609006	Each	4



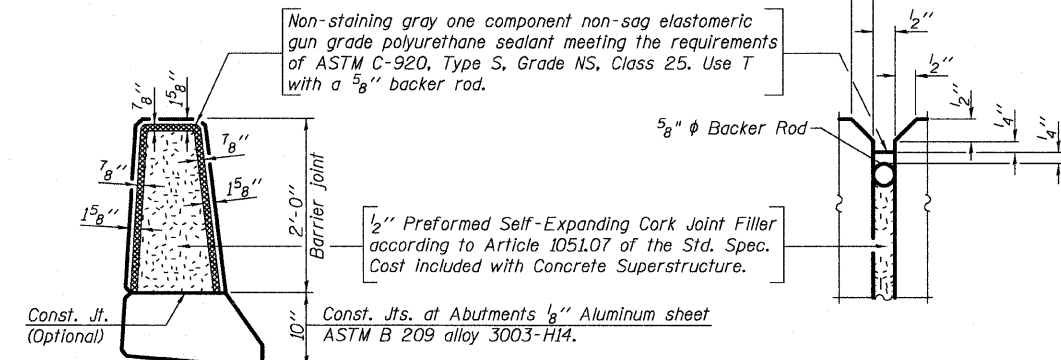
PLAN



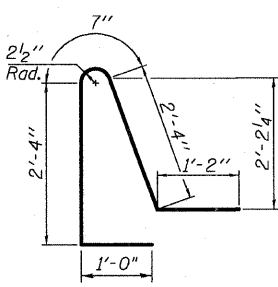
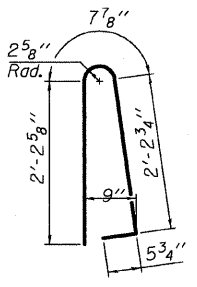
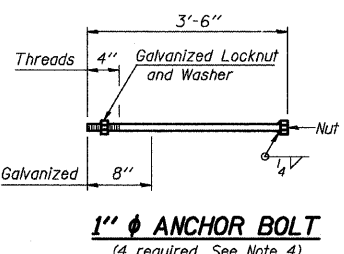
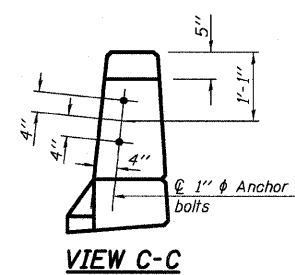
BARRIER ELEVATION (At Obtuse Corners)



SECTION THRU BARRIER



BARRIER JOINT DETAILS



NOTES:

1. Work this sheet with Std. 420401 for integral abutment.
2. Vary this dimension as needed to connect to the existing drain pipe.
3. Cost of Name Plates is not included with Bridge Approach Pavement (Special). See Sheet S2 of S25.
4. Cost of Barriers and Anchor Bolts are included with Bridge Approach Pavement (Special). See the special provision "Bridge Approach Pavement (Special)".
5. Protective coat shall be applied to the top and inside vertical faces of the barriers.

ILLINOIS DEPARTMENT OF TRANSPORTATION
BRIDGE APPROACH PAVEMENT (SPECIAL)
INTERSTATE 80 OVER INTERSTATE 88
F.A.I. ROUTE 80 - SECTION 81-IHBY-D
ROCK ISLAND COUNTY
STATION 217+81.50
EB S.N. 081-0012 & WB 081-0013
DATE: FEBRUARY 27, 2008
DRAWN BY: A. Yarglooglu
CHECKED BY: A. Durbak

PATRICK
ENGINEERING INC.
LISLE, ILLINOIS