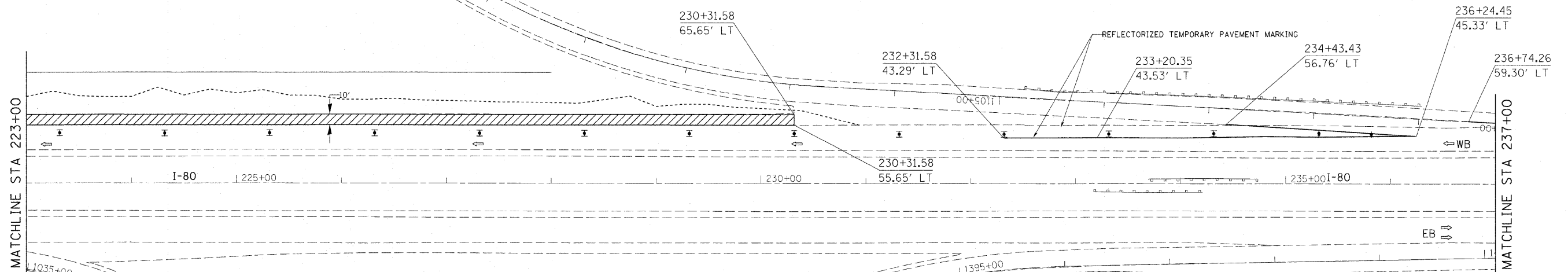


STAGE I

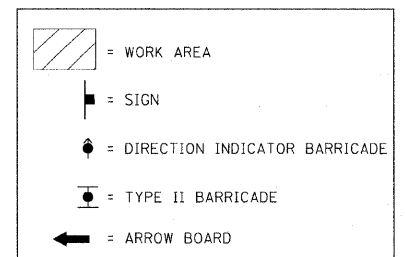


STAGING SEQUENCE OF WORK

STAGE I

THIS STAGE SHALL BE CONSTRUCTED USING TRAFFIC CONTROL & PROTECTION STANDARD 701401 AND THE TRAFFIC CONTROL PLAN WITHIN.

CONSTRUCT THE EXTERIOR 10' SHOULDER FROM
 I-80 EASTBOUND: RT STA 205+09 TO RT STA 215+24
 I-80 WESTBOUND: LT STA 220+51 TO LT STA 230+31



FILE NAME = C:\Projects\p200407\nd00407stg.dgn

USER NAME = jordanhd	DESIGNED -	REVISED -
PLOT SCALE = 50.0000' / IN.	DRAWN -	REVISED -
PLOT DATE = Thu Feb 28 13:30:26 2008	CHECKED -	REVISED -
	DATE -	REVISED -

**STATE OF ILLINOIS
 DEPARTMENT OF TRANSPORTATION**

I-80 STAGE I

SCALE: _____ SHEET NO. ___ OF ___ SHEETS STA. _____ TO STA. _____

F.A.I. RTE.	SECTION	COUNTY	TOTAL SHEETS	SHEET NO.
-80-	81-JBY-D	ROCK ISLAND	120	58
FED. ROAD DIST. NO. - [ILLINOIS] FED. AID PROJECT			CONTRACT NO. 64074	