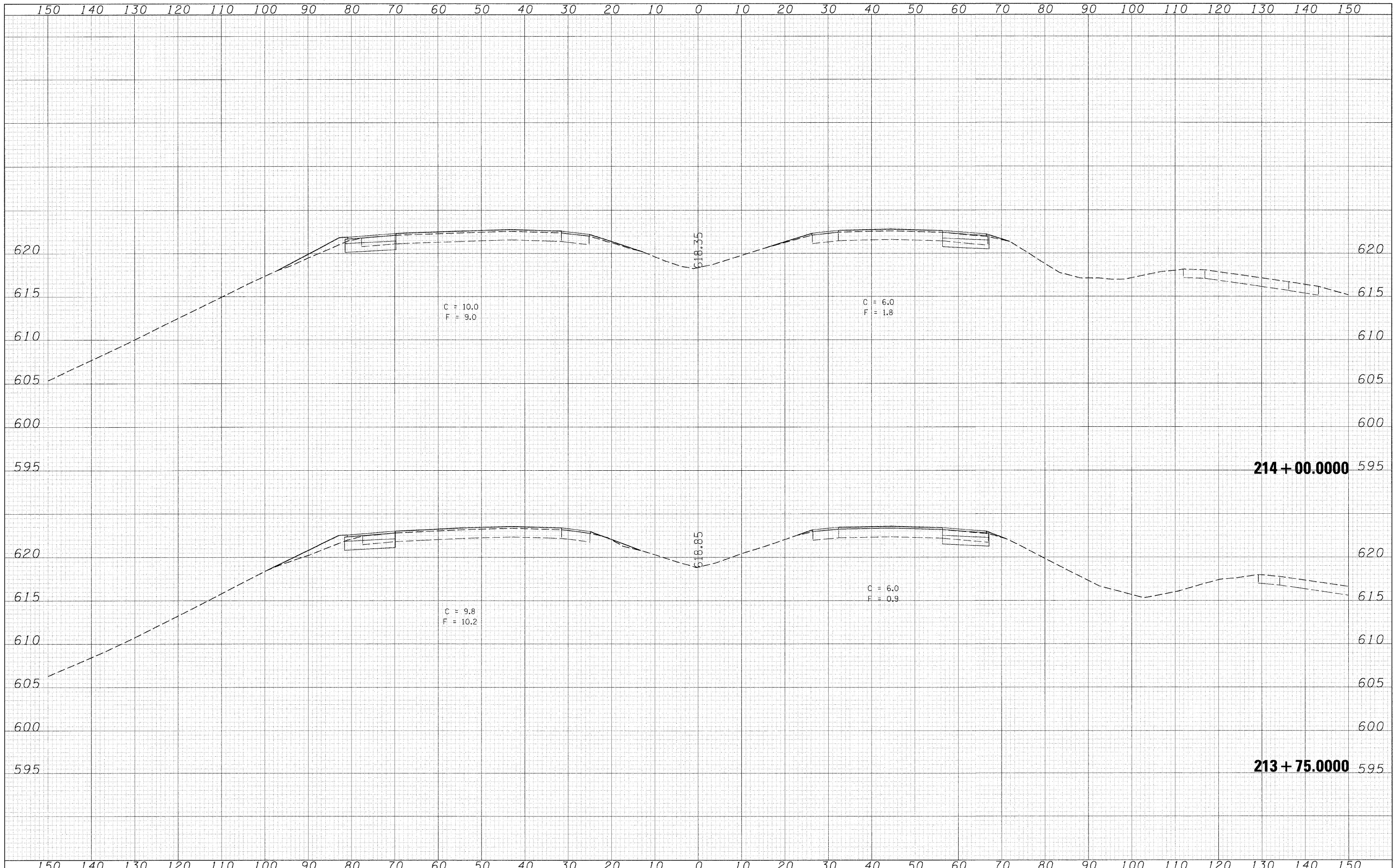


| | |
|--------------|-----------|
| DATE | |
| BY | |
| FINAL SURVEY | SUBMITTED |
| NOTE BOOK | PLOTTED |
| AREAS | TEMPLATE |
| CHECKED | |

| | |
|-----------------|-----------|
| DATE | |
| BY | |
| ORIGINAL SURVEY | SUBMITTED |
| NOTE BOOK | PLOTTED |
| AREAS | TEMPLATE |
| CHECKED | |



FILE NAME = C:\Proje\p200407\h00407.xml.dgn
 USER NAME = jordanhd
 PLOT SCALE = 10.0000' / IN.
 PLOT DATE = Thu Feb 28 13:41:40 2008

| | | | | | |
|----------|---|-----|---------|---|-----|
| DESIGNED | - | --- | REVISED | - | --- |
| DRAWN | - | --- | REVISED | - | --- |
| CHECKED | - | --- | REVISED | - | --- |
| DATE | - | --- | REVISED | - | --- |

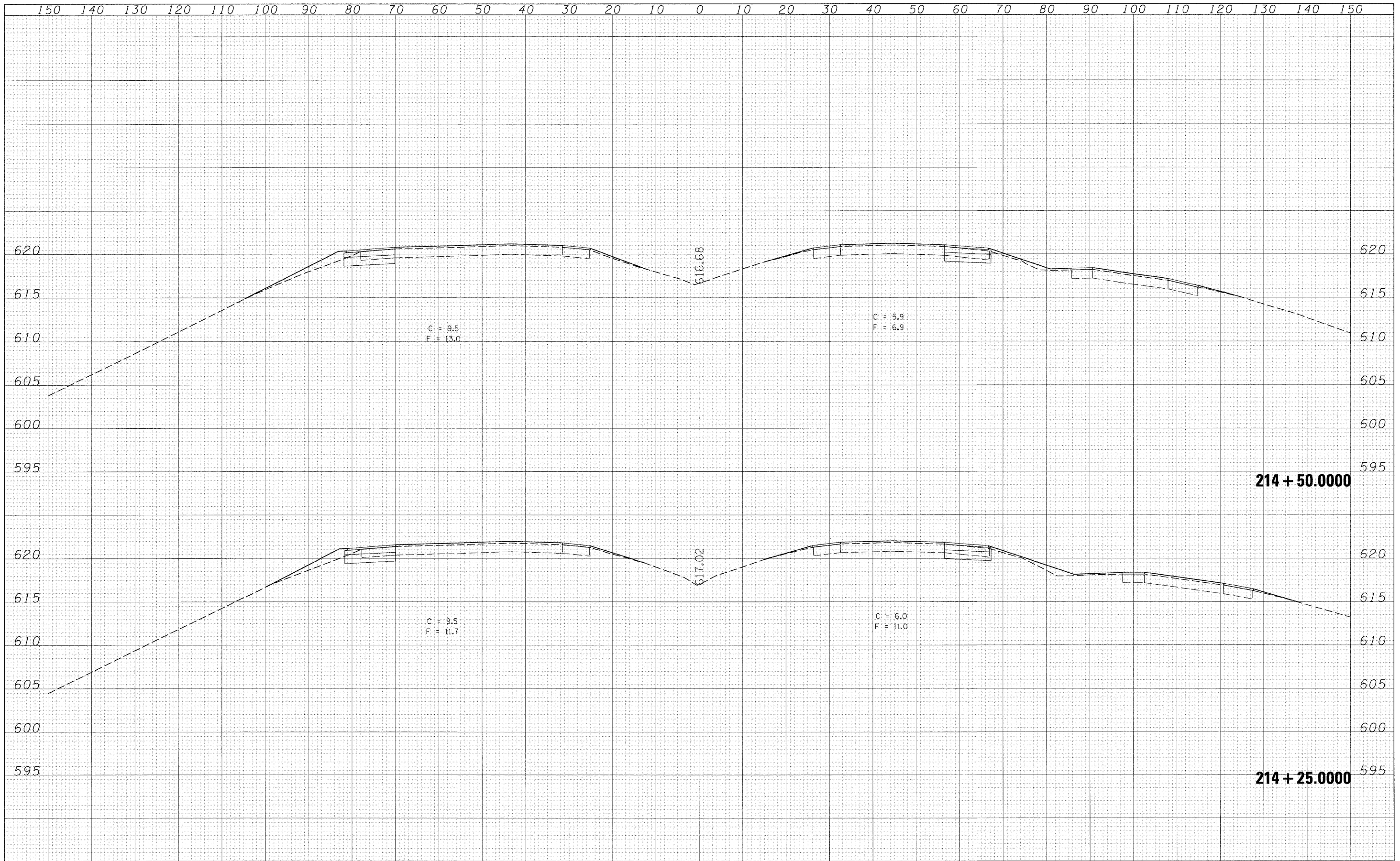
**STATE OF ILLINOIS
 DEPARTMENT OF TRANSPORTATION**

I-80 CROSS SECTIONS
 SCALE: _____ SHEET NO. ___ OF ___ SHEETS STA. 213+75.0000 TO STA. 214+00.0000

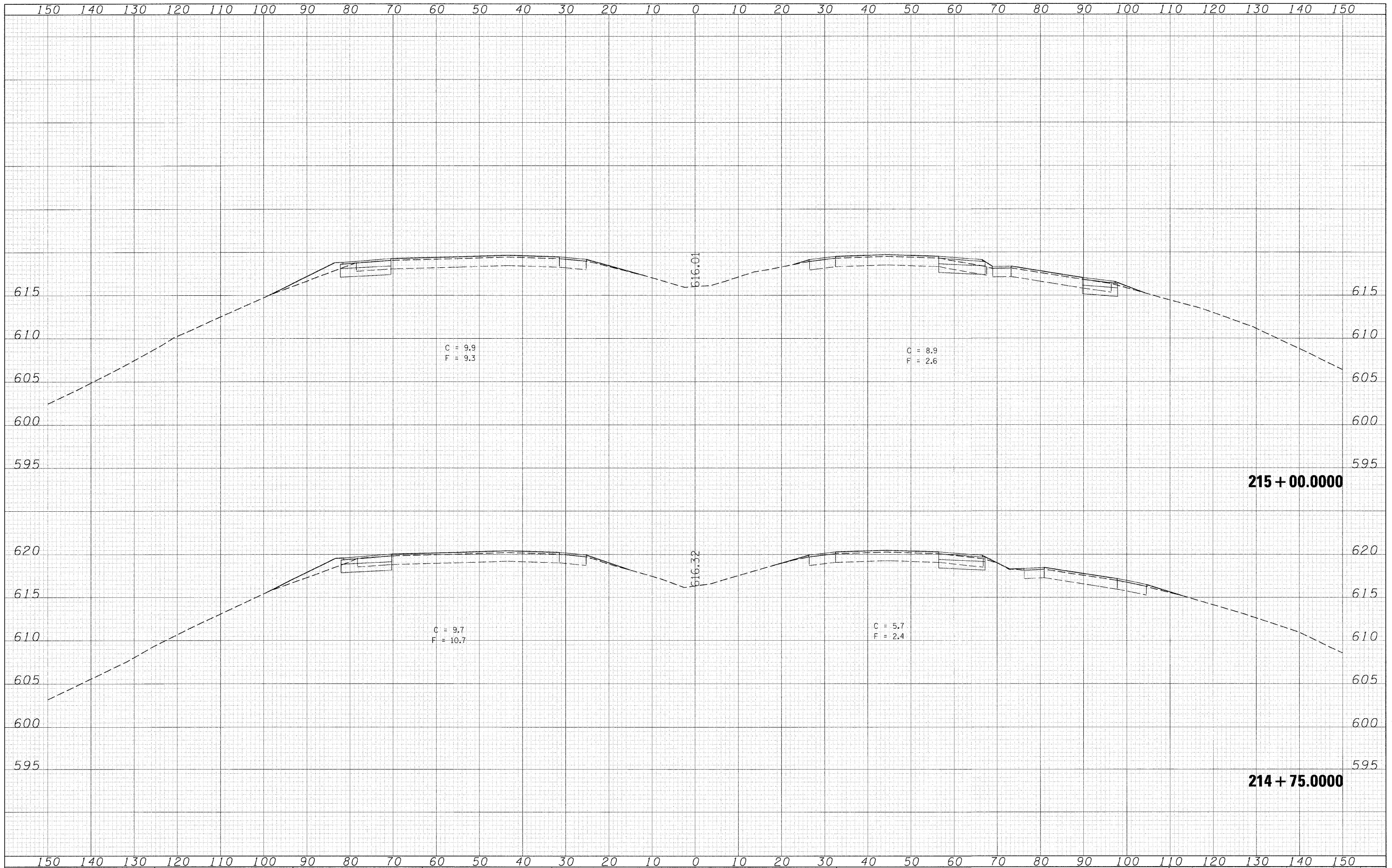
| | | | | |
|---|-----------|-------------|--------------|-----------|
| F.A.I. RTE. | SECTION | COUNTY | TOTAL SHEETS | SHEET NO. |
| -80- | 81-18BY-0 | ROCK ISLAND | 120 | 101 |
| CONTRACT NO. 64C74 | | | | |
| FED. ROAD DIST. NO. - [ILLINOIS] FED. AID PROJECT | | | | |

| | |
|---------------|--|
| DATE | |
| BY | |
| FINAL SURVEY | |
| REWORKED | |
| PLOTTED | |
| NOTE BOOK | |
| AREAS CHECKED | |
| NO. | |

| | |
|-----------------|--|
| DATE | |
| BY | |
| ORIGINAL SURVEY | |
| REWORKED | |
| PLOTTED | |
| NOTE BOOK | |
| AREAS CHECKED | |
| NO. | |



| | | | | | | | | | | | | |
|--|--------------------------------------|----------------|---------------|---|----------------------------|---------------------------|--------------------------------------|---|--------------------|--------------------|------------------|---------------|
| FILE NAME = C:\Projects\p202407\d02407.xml.dgn | USER NAME = jordanhd | DESIGNED - --- | REVISED - --- | STATE OF ILLINOIS DEPARTMENT OF TRANSPORTATION | I-80 CROSS SECTIONS | | | F.A.I. RTE. -80- | SECTION 81-1HBY-0 | COUNTY ROCK ISLAND | TOTAL SHEETS 120 | SHEET NO. 102 |
| | PLOT SCALE = 10,0000' / IN. | CHECKED - --- | REVISED - --- | | SCALE: ----- | SHEET NO. -- OF -- SHEETS | STA. 214+25,0000 TO STA. 214+50,0000 | FED. ROAD DIST. NO. - [ILLINOIS] FED. AID PROJECT | CONTRACT NO. 64074 | | | |
| | PLOT DATE = Thu Feb 28 13:41:51 2008 | DATE - ----- | REVISED - --- | | | | | | | | | |
| | | | | | | | | | | | | |



| | |
|----------------|--|
| DATE | |
| BY | |
| FINAL SURVEY | |
| SURVEY PLOTTED | |
| NOTE BOOK | |
| AREAS CHECKED | |
| NO. | |

| | |
|-----------------|--|
| DATE | |
| BY | |
| ORIGINAL SURVEY | |
| SURVEY PLOTTED | |
| NOTE BOOK | |
| AREAS CHECKED | |
| NO. | |

FILE NAME = C:\Projects\p220407\d220407.xml.dgn

USER NAME = jordanhd
 PLOT SCALE = 10.0000' / IN.
 PLOT DATE = Thu Feb 28 13:42:03 2008

| | | | | | |
|----------|---|-----|---------|---|-----|
| DESIGNED | - | --- | REVISED | - | --- |
| DRAWN | - | --- | REVISED | - | --- |
| CHECKED | - | --- | REVISED | - | --- |
| DATE | - | --- | REVISED | - | --- |

**STATE OF ILLINOIS
 DEPARTMENT OF TRANSPORTATION**

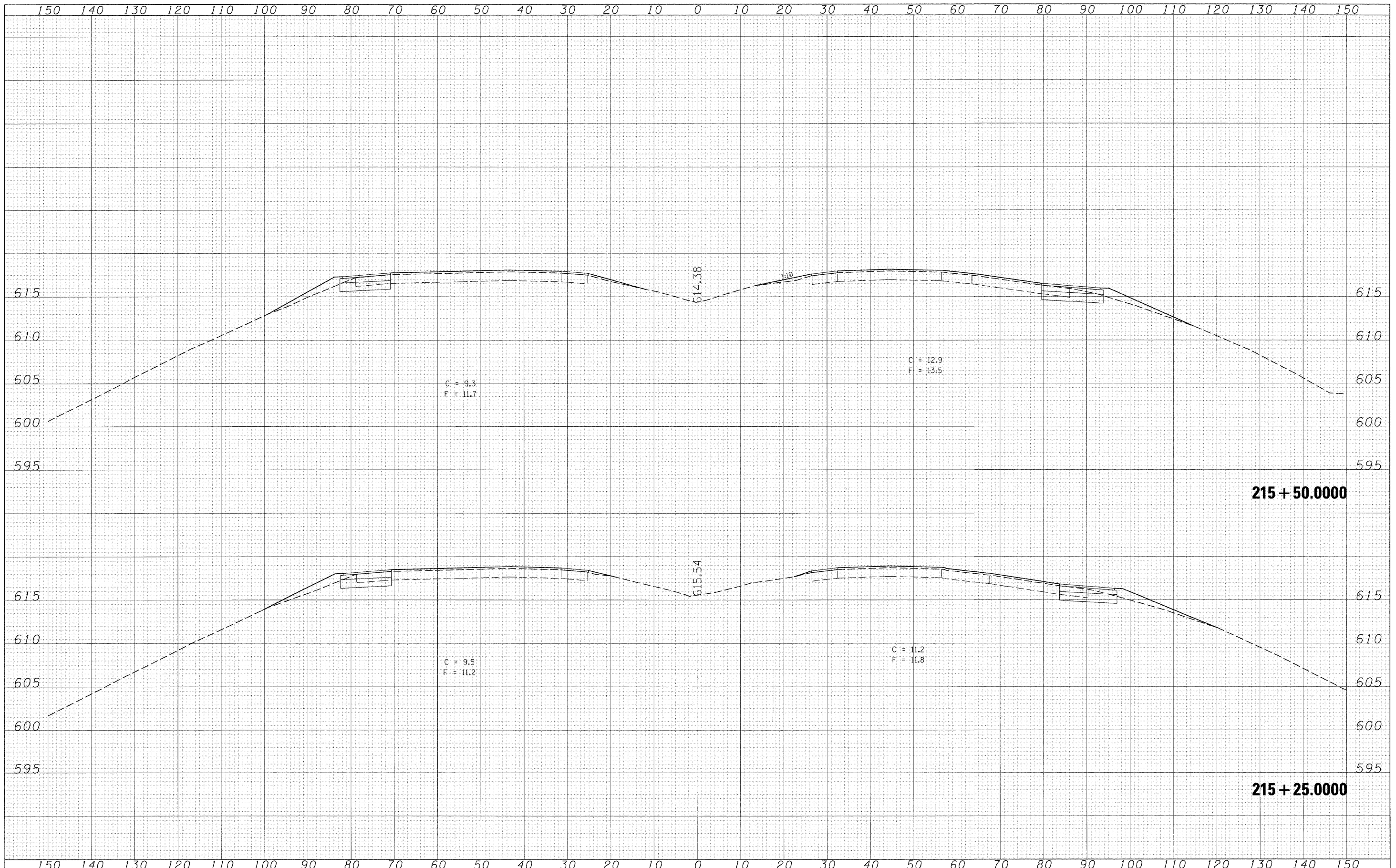
I-80 CROSS SECTIONS

SCALE: _____ SHEET NO. ___ OF ___ SHEETS STA. 214+75.0000 TO STA. 215+00.0000

| | | | | |
|---|-----------|-------------|--------------------|-----------|
| F.A.I. RTE. | SECTION | COUNTY | TOTAL SHEETS | SHEET NO. |
| 80 | 81-IHBY-D | ROCK ISLAND | 120 | 103 |
| | | | CONTRACT NO. 64C74 | |
| FED. ROAD DIST. NO. ILLINOIS FED. AID PROJECT | | | | |

| | |
|---------------|--|
| DATE | |
| BY | |
| FINAL SURVEY | |
| SUBMITTED | |
| PLOTTED | |
| NOTE BOOK | |
| AREAS CHECKED | |
| NO. | |

| | |
|-----------------|--|
| DATE | |
| BY | |
| ORIGINAL SURVEY | |
| SUBMITTED | |
| PLOTTED | |
| NOTE BOOK | |
| AREAS CHECKED | |
| NO. | |



FILE NAME = C:\Projects\p200407\vd02407xm1.dgn

| | | |
|---------------------------------------|----------------|---------------|
| USER NAME = jordanhd | DESIGNED - --- | REVISED - --- |
| PLLOT SCALE = 1/2" = 100' / IN. | DRAWN - --- | REVISED - --- |
| PLLOT DATE = Thu Feb 28 13:42:17 2008 | CHECKED - --- | REVISED - --- |
| | DATE - --- | REVISED - --- |

**STATE OF ILLINOIS
DEPARTMENT OF TRANSPORTATION**

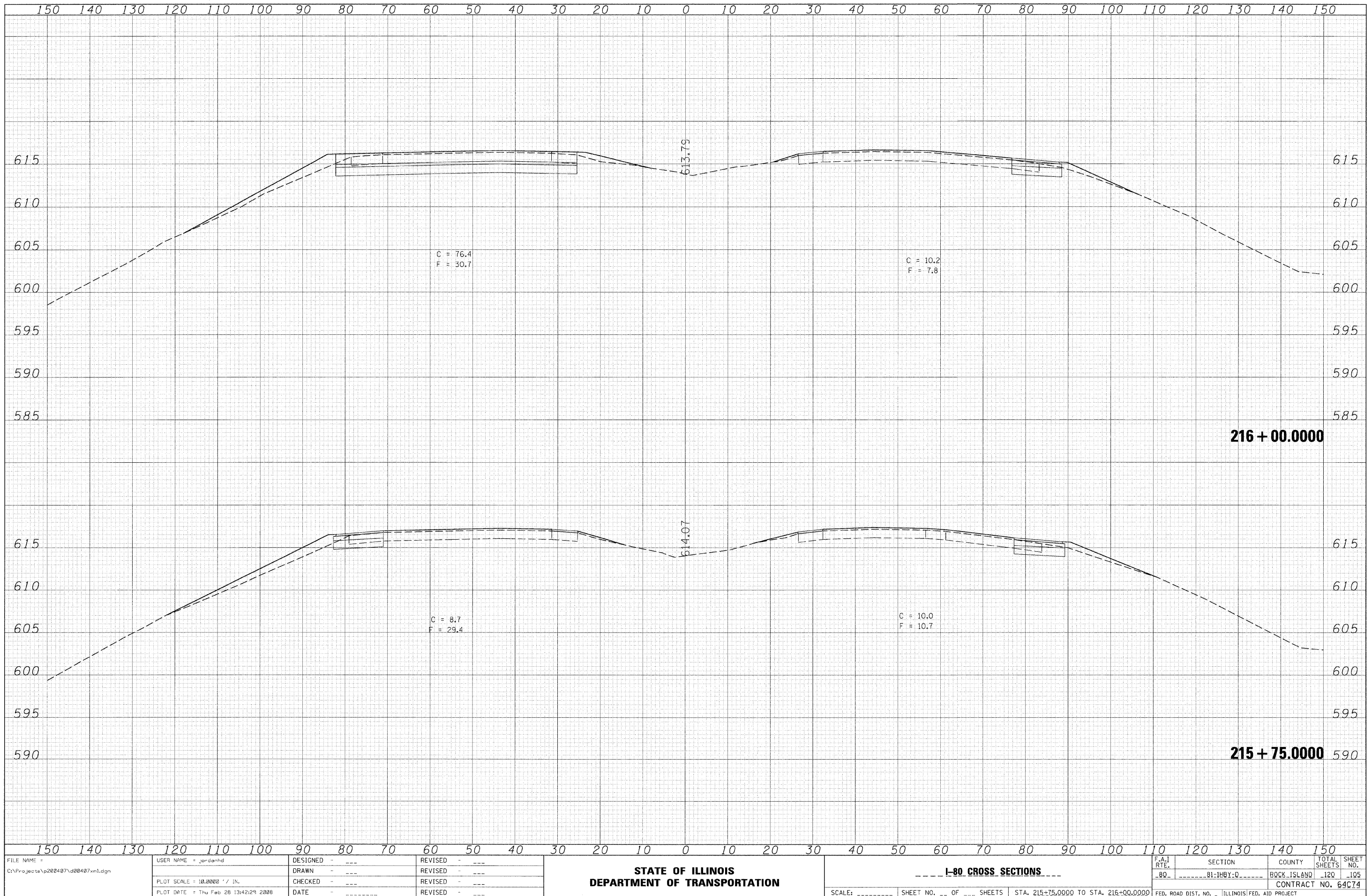
I-80 CROSS SECTIONS

SCALE: _____ SHEET NO. ___ OF ___ SHEETS STA. 215+25.0000 TO STA. 215+50.0000

| | | | | |
|---|-----------|-------------|--------------------|-----------|
| F.A.I. RTE. | SECTION | COUNTY | TOTAL SHEETS | SHEET NO. |
| -90- | 81-1HBY-0 | ROCK ISLAND | -120 | -104 |
| | | | CONTRACT NO. 64C74 | |
| FED. ROAD DIST. NO. - ILLINOIS FED. AID PROJECT | | | | |

| | |
|---------------|--|
| DATE | |
| BY | |
| FINAL SURVEY | |
| SURVEY | |
| NOTE BOOK | |
| NO. | |
| AREAS CHECKED | |

| | |
|-----------------|--|
| DATE | |
| BY | |
| ORIGINAL SURVEY | |
| SURVEY | |
| NOTE BOOK | |
| NO. | |
| AREAS CHECKED | |



FILE NAME = C:\Projecta\p202407\d00407.xml.dgn

| | | |
|--------------------------------------|------------|----------|
| USER NAME = jordanhd | DESIGNED - | REVISD - |
| | DRAWN - | REVISD - |
| PLOT SCALE = 10.0000' / IN. | CHECKED - | REVISD - |
| PLOT DATE = Thu Feb 28 13:42:29 2008 | DATE - | REVISD - |

STATE OF ILLINOIS
DEPARTMENT OF TRANSPORTATION

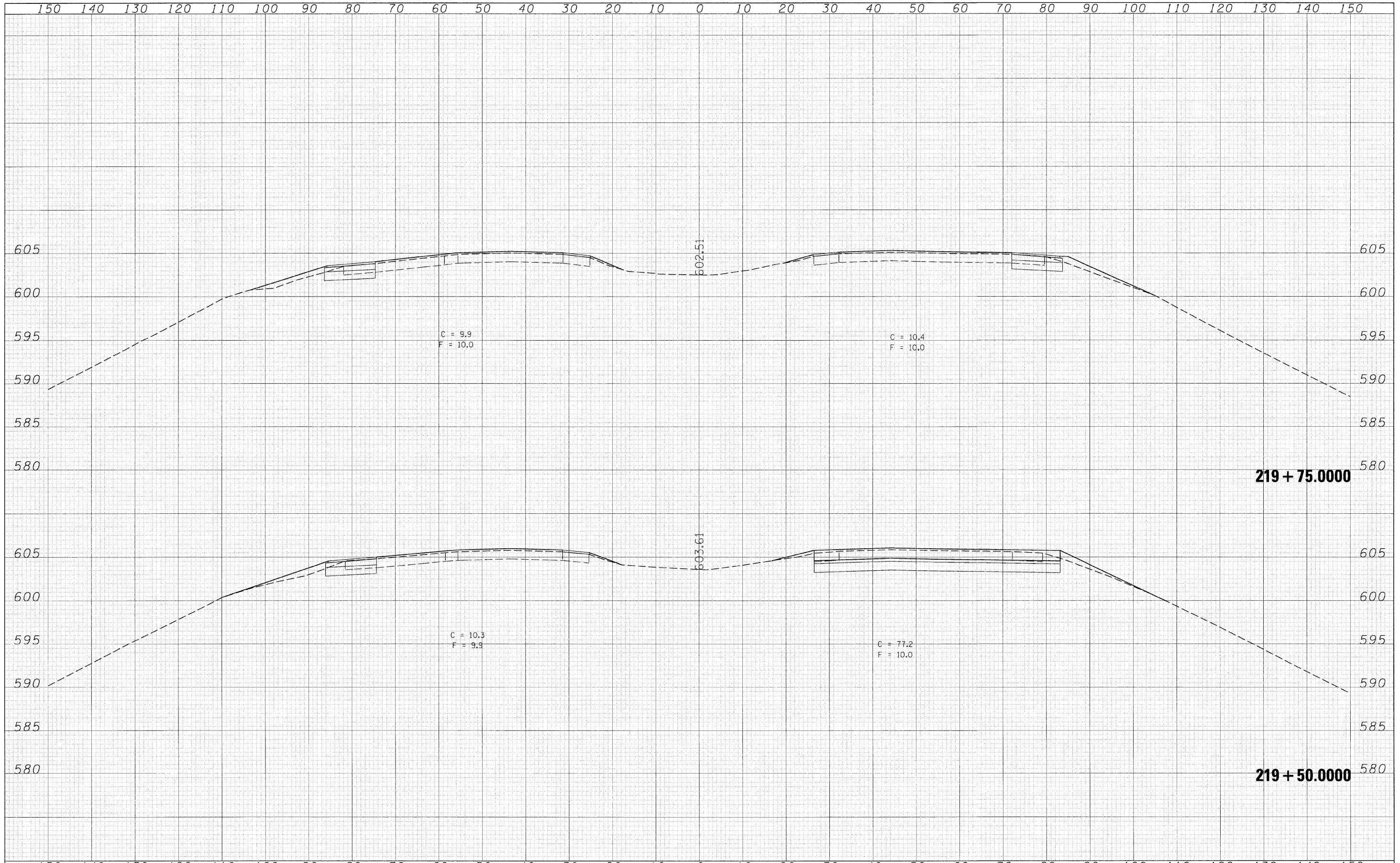
I-80 CROSS SECTIONS

SCALE: SHEET NO. OF SHEETS STA. 215+75.0000 TO STA. 216+00.0000

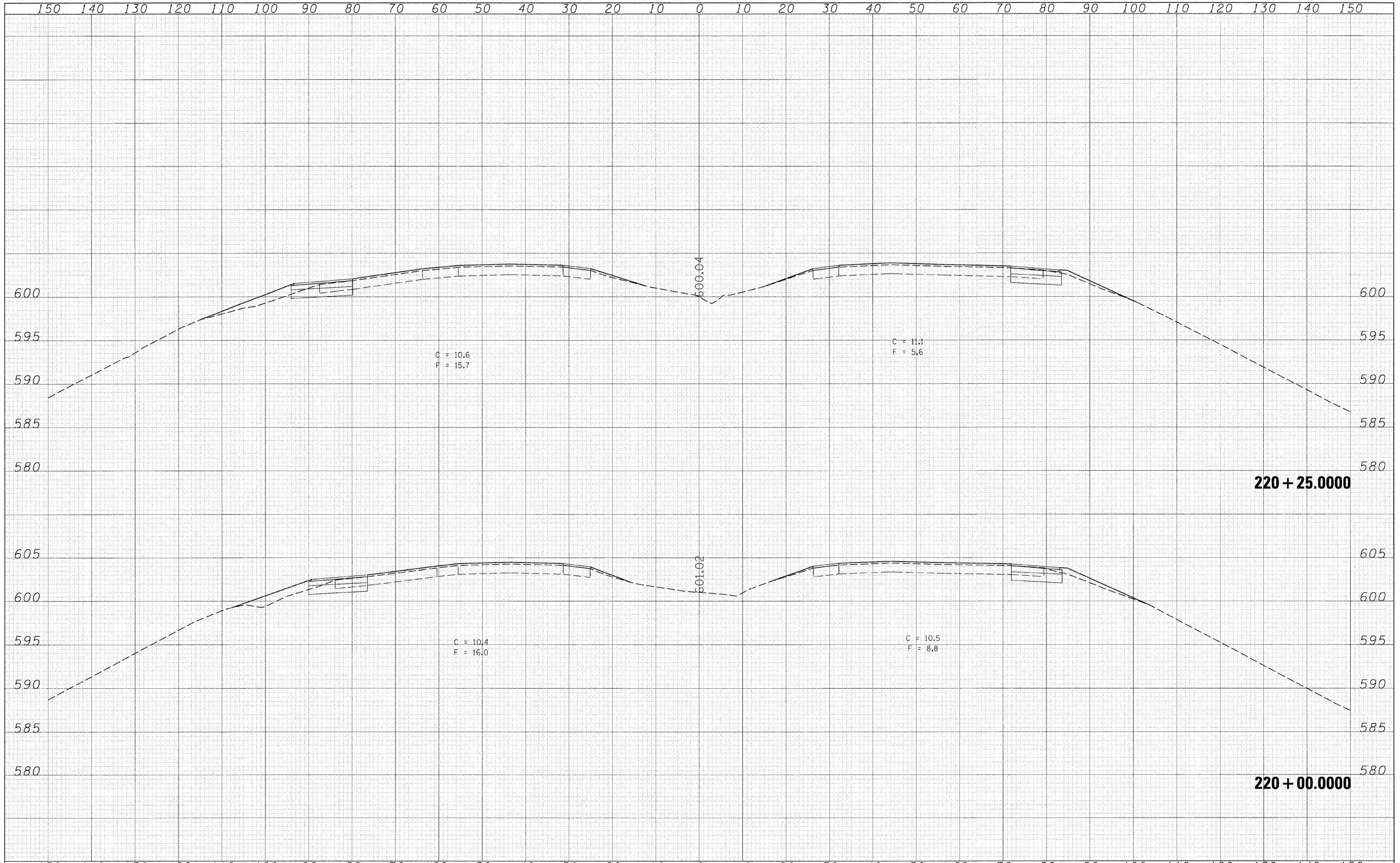
| F.A.I. RTE. | SECTION | COUNTY | TOTAL SHEETS | SHEET NO. |
|---|-----------|-------------|--------------------|-----------|
| -80- | 81-110Y-0 | ROCK ISLAND | 120 | 105 |
| | | | CONTRACT NO. 64C74 | |
| FED. ROAD DIST. NO. - ILLINOIS FED. AID PROJECT | | | | |

| | | |
|-----------|----------|------|
| FINAL | SURVEY | DATE |
| SURVEY | PLOTTED | BY |
| NOTE BOOK | TEMPLATE | |
| AREAS | CHECKED | |
| NO. | | |

| | | |
|-----------|----------|------|
| ORIGINAL | SURVEY | DATE |
| SURVEY | PLOTTED | BY |
| NOTE BOOK | TEMPLATE | |
| AREAS | CHECKED | |
| NO. | | |



| | | | | | | | | | | |
|--|----------------------|----------------|---------------|---|----------------------------|---------------------------|--------------------------------------|---|--------------------|-----------------|
| FILE NAME = C:\Projects\p220407\d20407.kml.dgn | USER NAME = jordanhd | DESIGNED - --- | REVISED - --- | STATE OF ILLINOIS DEPARTMENT OF TRANSPORTATION | I-80 CROSS SECTIONS | F.A.J. RTE. -80- | SECTION -81-1BXY-0- | COUNTY -ROCK ISLAND- | TOTAL SHEETS -120- | SHEET NO. -106- |
| PLOT SCALE = 10.0000' / IN. | CHECKED - --- | REVISED - --- | SCALE: ----- | | | SHEET NO. -- OF -- SHEETS | STA. 219+50.0000 TO STA. 219+75.0000 | FED. ROAD DIST. NO. - [ILLINOIS] FED. AID PROJECT | CONTRACT NO. 64C74 | |
| PLOT DATE = Thu Feb 28 13:42:40 2008 | DATE - ----- | REVISED - --- | | | | | | | | |
| | | | | | | | | | | |



| | |
|----------------|--|
| DATE | |
| BY | |
| NO. | |
| FINAL SURVEY | |
| SURVEY PLOTTED | |
| NOTE BOOK | |
| AREAS CHECKED | |

| | |
|-----------------|--|
| DATE | |
| BY | |
| NO. | |
| ORIGINAL SURVEY | |
| SURVEY PLOTTED | |
| NOTE BOOK | |
| AREAS CHECKED | |

FILE NAME = C:\Projects\p220407\d00407.km1.dgn

USER NAME = jordanhd
 PLOT SCALE = 10.0000' / IN.
 PLOT DATE = Thu Feb 28 13:43:01 2008

| | | | | | |
|----------|---|-----|---------|---|-----|
| DESIGNED | - | --- | REVISED | - | --- |
| DRAWN | - | --- | REVISED | - | --- |
| CHECKED | - | --- | REVISED | - | --- |
| DATE | - | --- | REVISED | - | --- |

**STATE OF ILLINOIS
 DEPARTMENT OF TRANSPORTATION**

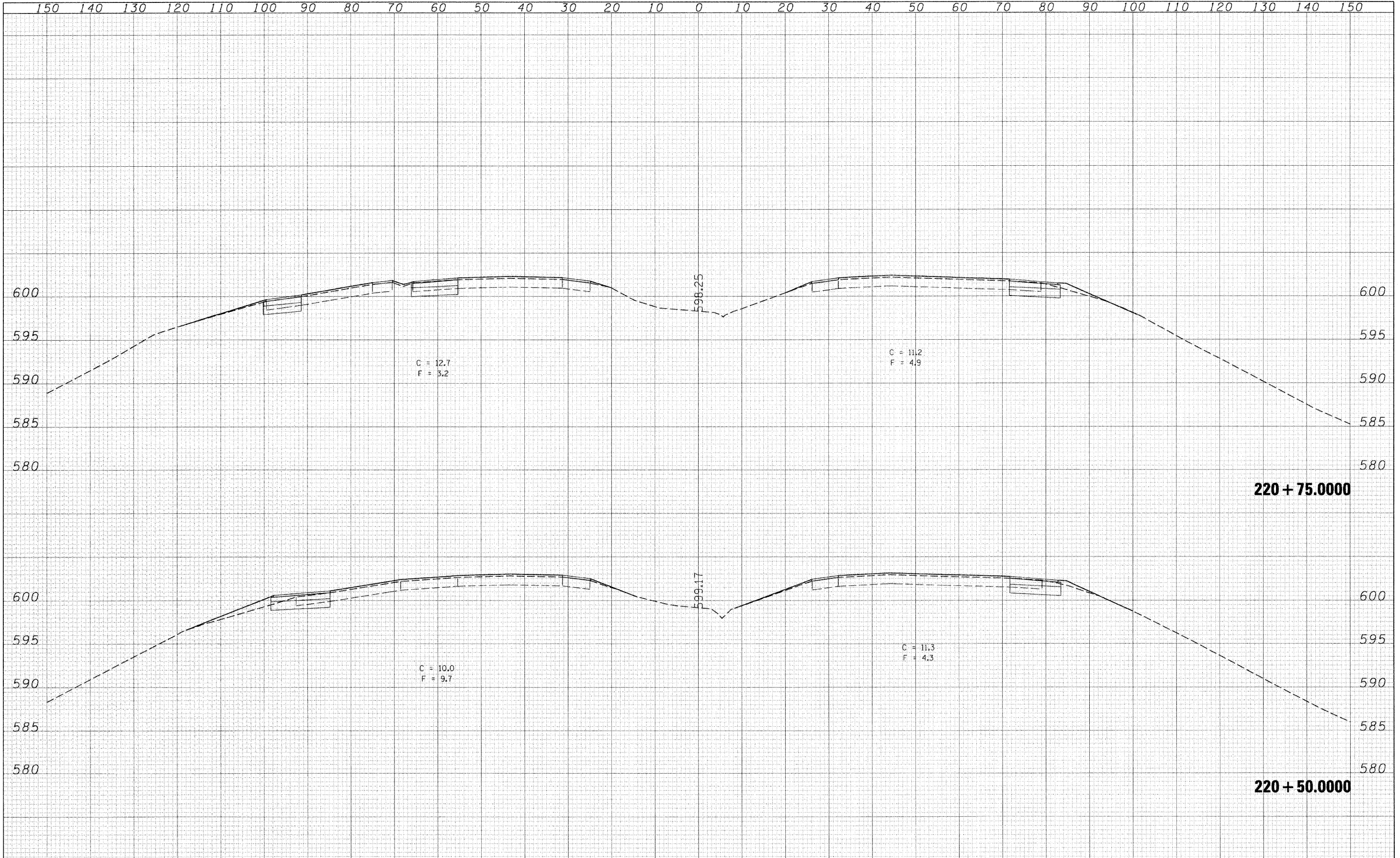
I-80 CROSS SECTIONS
 SCALE: _____ SHEET NO. ___ OF ___ SHEETS STA. 220+00.0000 TO STA. 220+25.0000

| | | | | |
|-------------|-----------|-------------|--------------------|-----------|
| F.A.J. RTE. | SECTION | COUNTY | TOTAL SHEETS | SHEET NO. |
| -80- | 81-18BY-0 | ROCK ISLAND | 120 | 107 |
| | | | CONTRACT NO. 64C74 | |

FED. ROAD DIST. NO. _____ ILLINOIS FED. AID PROJECT

| | |
|----------------------------|--|
| DATE | |
| BY | |
| SUBMITTED | |
| PLOTTED | |
| TEMPLATE | |
| AREAS CHECKED | |
| FINAL SURVEY NOTE BOOK NO. | |

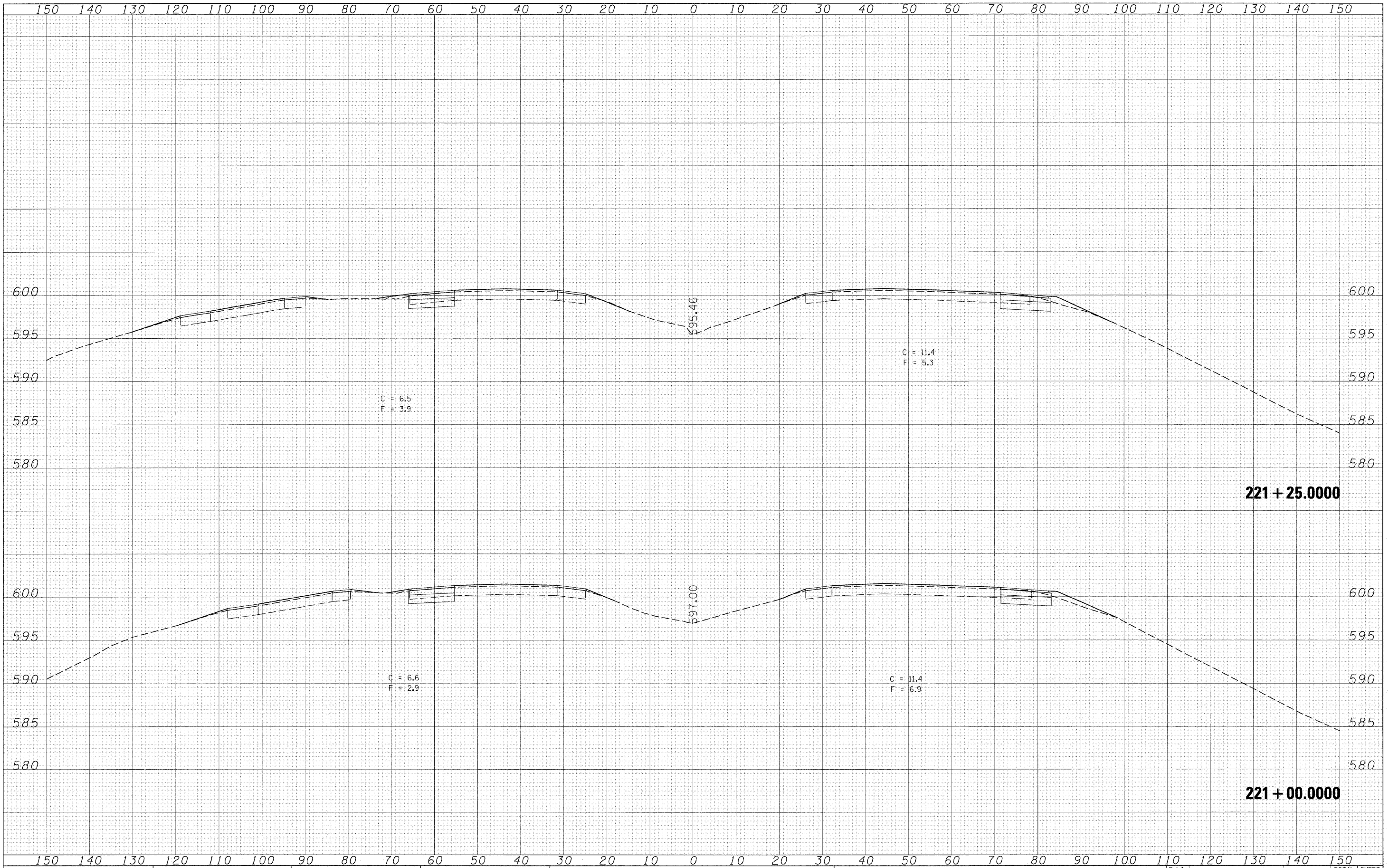
| | |
|-------------------------------|--|
| DATE | |
| BY | |
| SUBMITTED | |
| PLOTTED | |
| TEMPLATE | |
| AREAS CHECKED | |
| ORIGINAL SURVEY NOTE BOOK NO. | |



| | | | | | | | | | | | | |
|--|----------------------|----------------|---------------|---|---------------------|---------------------------|--------------------------------------|-----------------------|---------------------------|--------------------|---------------|--|
| FILE NAME = C:\Projects\p228487\d08407.xml.dgn | USER NAME = jordanhd | DESIGNED - --- | REVISED - --- | STATE OF ILLINOIS DEPARTMENT OF TRANSPORTATION | I-80 CROSS SECTIONS | | F.A.I. RTE. -80- | SECTION 81-1HBY-0 | COUNTY ROCK ISLAND | TOTAL SHEETS 120 | SHEET NO. 108 | |
| PLOT SCALE = 10.0000' / IN. | CHECKED - --- | REVISED - --- | REVISED - --- | | SCALE: ----- | SHEET NO. -- OF -- SHEETS | STA. 220+50.0000 TO STA. 220+75.0000 | FED. ROAD DIST. NO. - | ILLINOIS FED. AID PROJECT | CONTRACT NO. 64C74 | | |
| PLOT DATE = Thu Feb 28 13:43:13 2008 | DATE - ----- | REVISED - --- | REVISED - --- | | | | | | | | | |
| | | | | | | | | | | | | |

| | |
|----------------|--|
| DATE | |
| BY | |
| FINAL SURVEY | |
| SURVEY PLOTTED | |
| NOTE BOOK | |
| TEMPLATE | |
| AREAS CHECKED | |
| NO. | |

| | |
|-----------------|--|
| DATE | |
| BY | |
| ORIGINAL SURVEY | |
| SURVEY PLOTTED | |
| NOTE BOOK | |
| TEMPLATE | |
| AREAS CHECKED | |
| NO. | |



FILE NAME = C:\Projects\p200407\i00407.xml.dgn

| | | |
|--------------------------------------|----------------|---------------|
| USER NAME = jordanhd | DESIGNED - --- | REVISED - --- |
| | DRAWN - --- | REVISED - --- |
| PLOT SCALE = 10.0000' / IN. | CHECKED - --- | REVISED - --- |
| PLOT DATE = Thu Feb 28 13:43:23 2008 | DATE - --- | REVISED - --- |

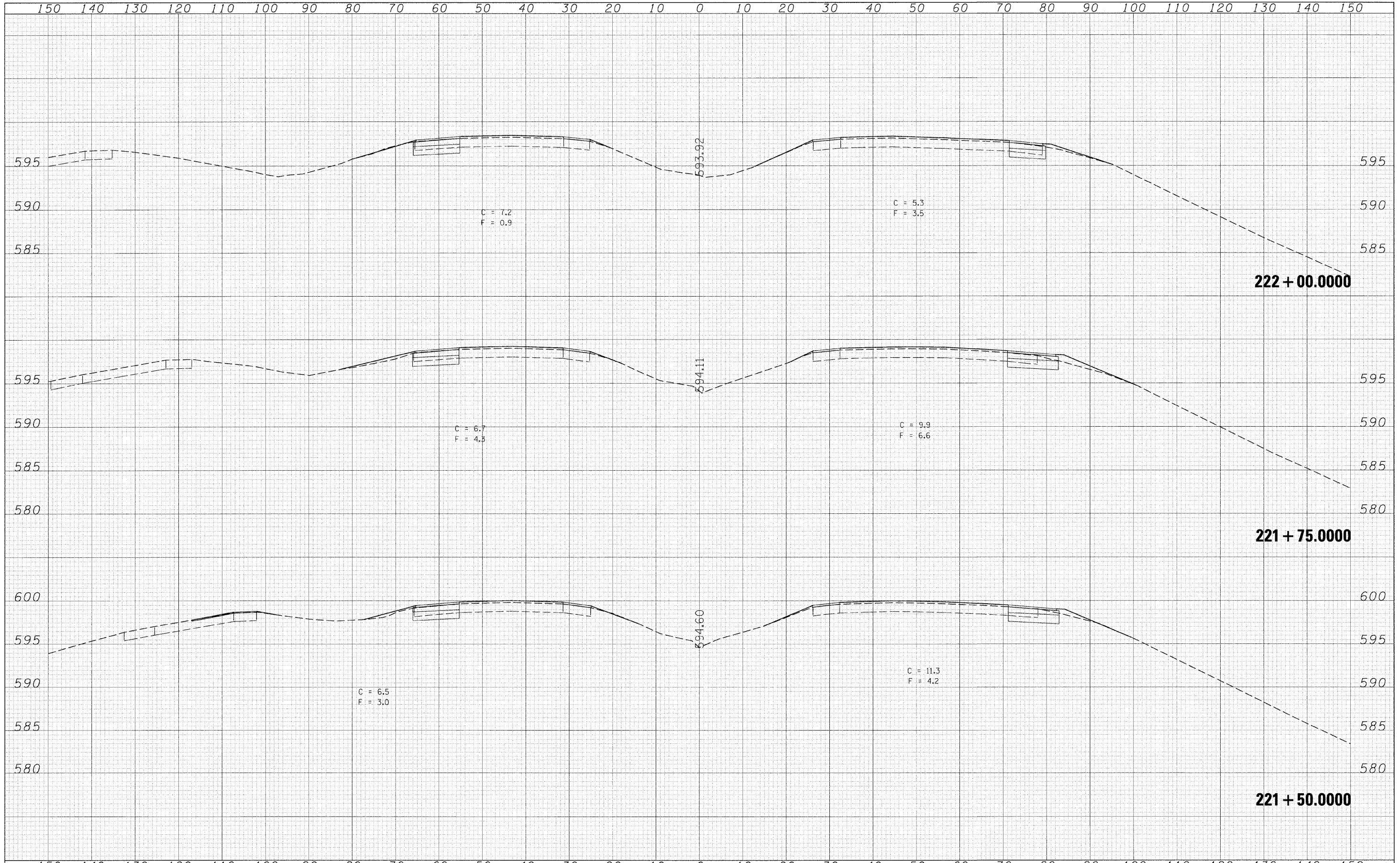
**STATE OF ILLINOIS
DEPARTMENT OF TRANSPORTATION**

I-80 CROSS SECTIONS
SCALE: _____ SHEET NO. ___ OF ___ SHEETS STA. 221+00.0000 TO STA. 221+25.0000

| | | | | |
|---|-----------|-------------|--------------|-----------|
| F.A.I. RTE. | SECTION | COUNTY | TOTAL SHEETS | SHEET NO. |
| -80- | 81-18BY-0 | ROCK ISLAND | 120 | 109 |
| CONTRACT NO. 64C74 | | | | |
| FED. ROAD DIST. NO. - ILLINOIS FED. AID PROJECT | | | | |

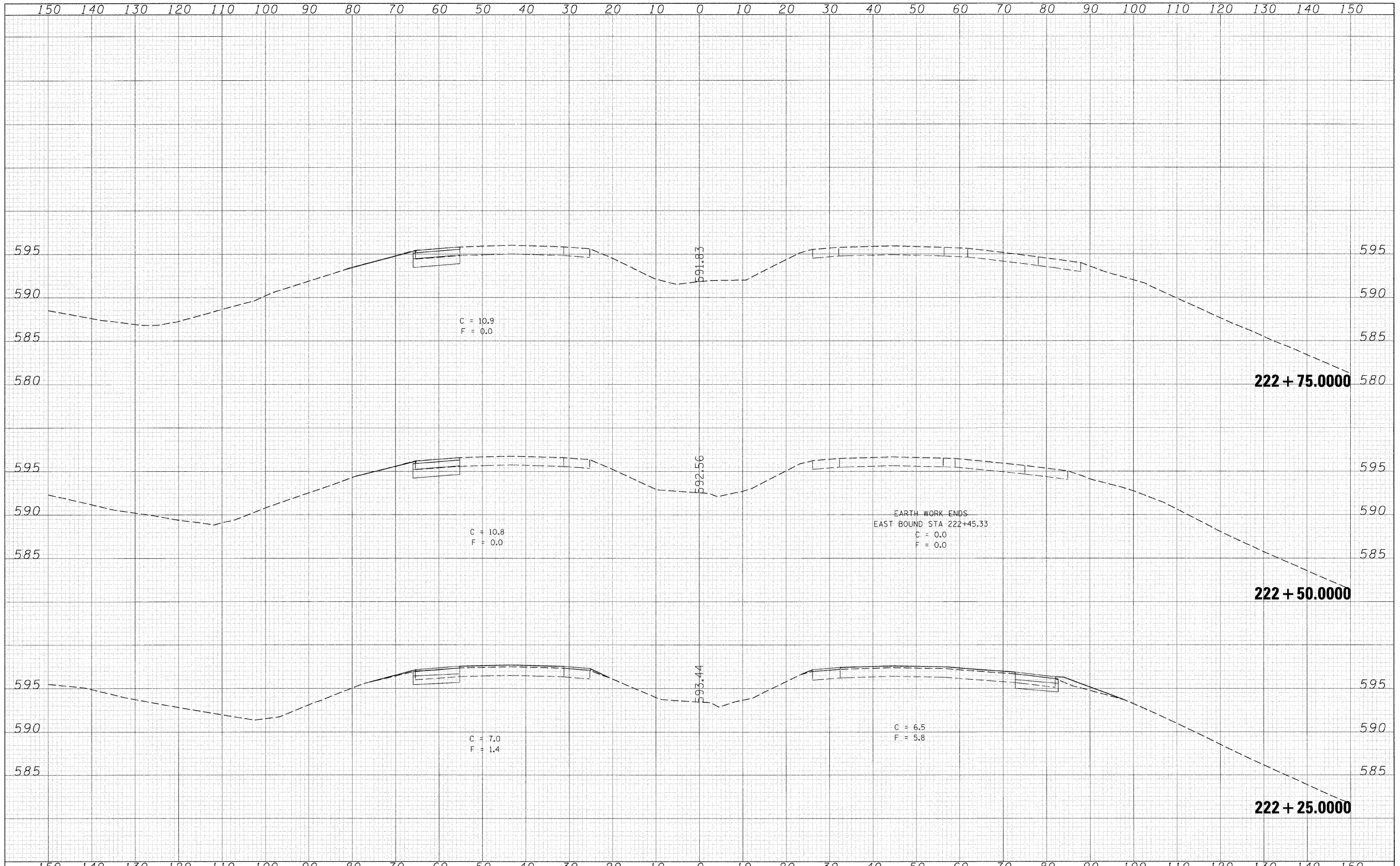
| | |
|----------|--|
| DATE | |
| BY | |
| DESIGNED | |
| DRAWN | |
| CHECKED | |
| DATE | |

| | |
|----------|--|
| DATE | |
| BY | |
| DESIGNED | |
| DRAWN | |
| CHECKED | |
| DATE | |



| | |
|---------------|--|
| DATE | |
| BY | |
| FINAL SURVEY | |
| CORRECTED | |
| PLOTTED | |
| NOTE BOOK | |
| NO. | |
| AREAS CHECKED | |

| | |
|-----------------|--|
| DATE | |
| BY | |
| ORIGINAL SURVEY | |
| CORRECTED | |
| PLOTTED | |
| NOTE BOOK | |
| NO. | |
| AREAS CHECKED | |



FILE NAME = C:\Projects\p200407\d0407.m1.dgn
 USER NAME = jordanhd
 PLOT SCALE = 10.0000' / IN.
 PLOT DATE = Thu Feb 28 13:43:46 2008

| | | | | | |
|----------|---|-----|---------|---|-----|
| DESIGNED | - | --- | REVISED | - | --- |
| DRAWN | - | --- | REVISED | - | --- |
| CHECKED | - | --- | REVISED | - | --- |
| DATE | - | --- | REVISED | - | --- |

**STATE OF ILLINOIS
 DEPARTMENT OF TRANSPORTATION**

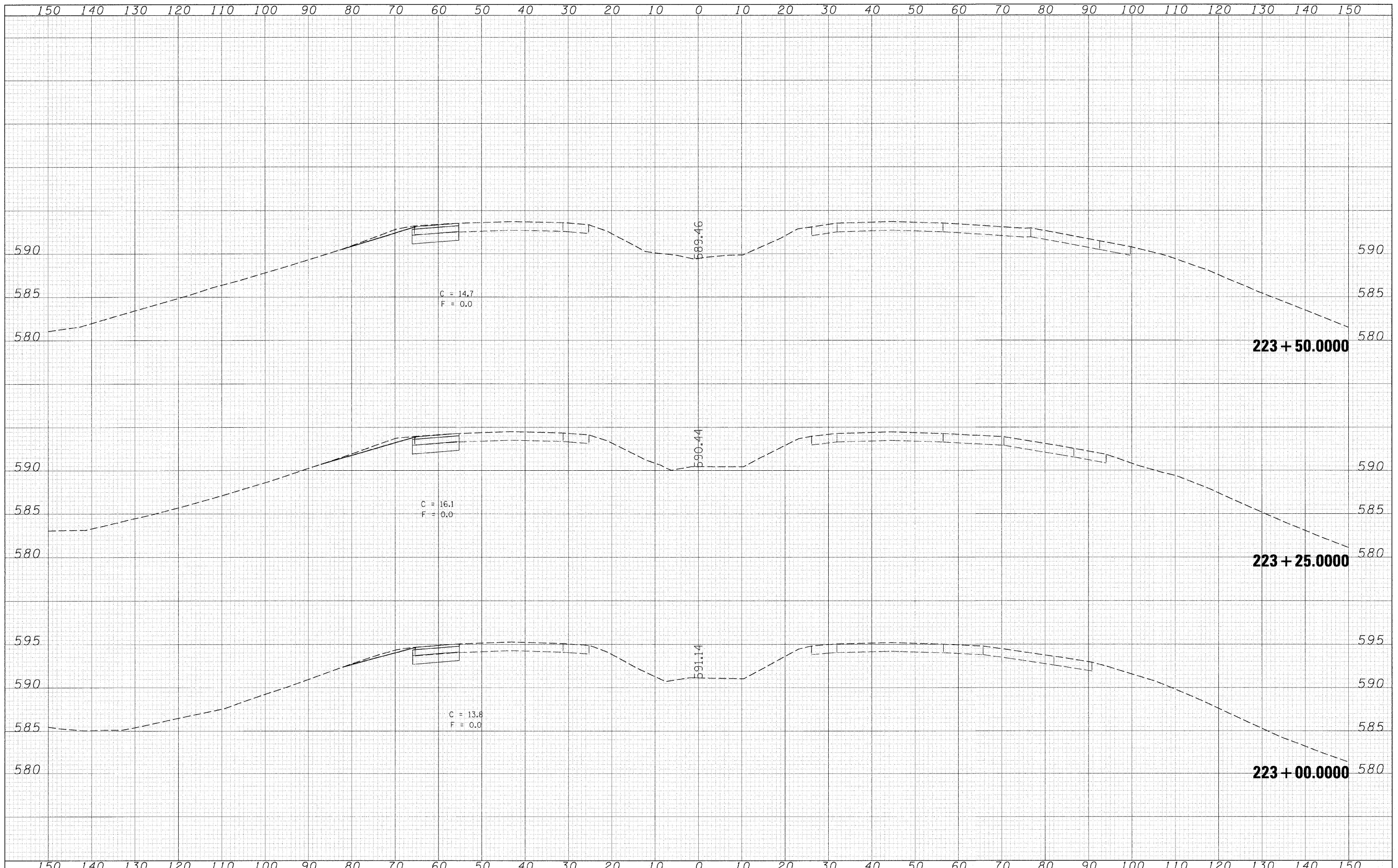
I-80 CROSS SECTIONS

SCALE: _____ SHEET NO. ___ OF ___ SHEETS STA. 222+25.0000 TO STA. 222+75.0000

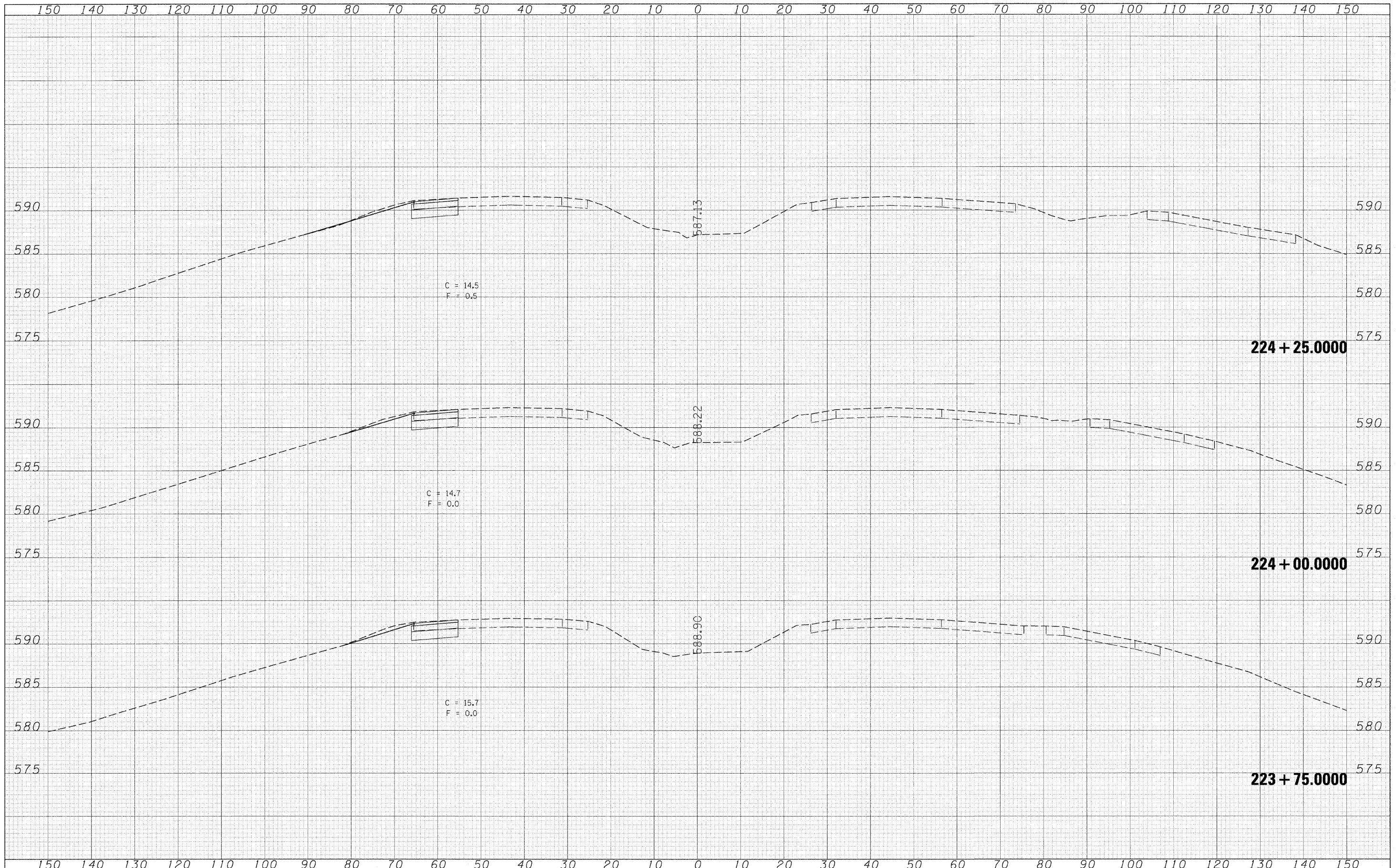
| | | | | |
|---|-----------|-------------|--------------------|-----------|
| F.A.I. RTE. | SECTION | COUNTY | TOTAL SHEETS | SHEET NO. |
| -80- | 81-18BY-0 | ROCK ISLAND | 120 | 111 |
| | | | CONTRACT NO. 64C74 | |
| FED. ROAD DIST. NO. _____ ILLINOIS FED. AID PROJECT | | | | |

| | |
|-----------------|--|
| DATE | |
| BY | |
| FINAL SURVEY | |
| SURVEYS PLOTTED | |
| NOTE BOOK | |
| AREAS CHECKED | |
| NO. | |

| | |
|-----------------|--|
| DATE | |
| BY | |
| ORIGINAL SURVEY | |
| SURVEYS PLOTTED | |
| NOTE BOOK | |
| AREAS CHECKED | |
| NO. | |



| | | | | | | | | | | |
|---|----------------------|----------------|--------------------|---|----------------------------|---|-------------|--------|--------------|-----------|
| FILE NAME = C:\Projects\p228407\d02407.kml.dgn | USER NAME = jordanhd | DESIGNED - --- | REVISED - --- | STATE OF ILLINOIS DEPARTMENT OF TRANSPORTATION | I-80 CROSS SECTIONS | F.A.J. RTE. | SECTION | COUNTY | TOTAL SHEETS | SHEET NO. |
| PLOT SCALE = 10.0000' / IN. | CHECKED - --- | REVISED - --- | -80- | | | 81-18BY-0 | ROCK ISLAND | 120 | 112 | |
| PLOT DATE = Thu Feb 28 13:44:21 2008 | DATE - --- | REVISED - --- | CONTRACT NO. 64074 | | | | | | | |
| SCALE: _____ SHEET NO. ___ OF ___ SHEETS STA. 223+00.0000 TO STA. 223+50.0000 | | | | | | FED. ROAD DIST. NO. - [ILLINOIS] FED. AID PROJECT | | | | |



| | |
|----------|--|
| DATE | |
| BY | |
| DESIGNED | |
| DRAWN | |
| CHECKED | |
| DATE | |

| | |
|----------|--|
| DATE | |
| BY | |
| DESIGNED | |
| DRAWN | |
| CHECKED | |
| DATE | |

FILE NAME = C:\Project\p200427\1020407.mxd
 USER NAME = jordanhd
 PLOT SCALE = 10.0000' / IN.
 PLOT DATE = Thu Feb 28 13:44:17 2008

| | | | | | |
|----------|---|-----|---------|---|-----|
| DESIGNED | - | --- | REVISED | - | --- |
| DRAWN | - | --- | REVISED | - | --- |
| CHECKED | - | --- | REVISED | - | --- |
| DATE | - | --- | REVISED | - | --- |

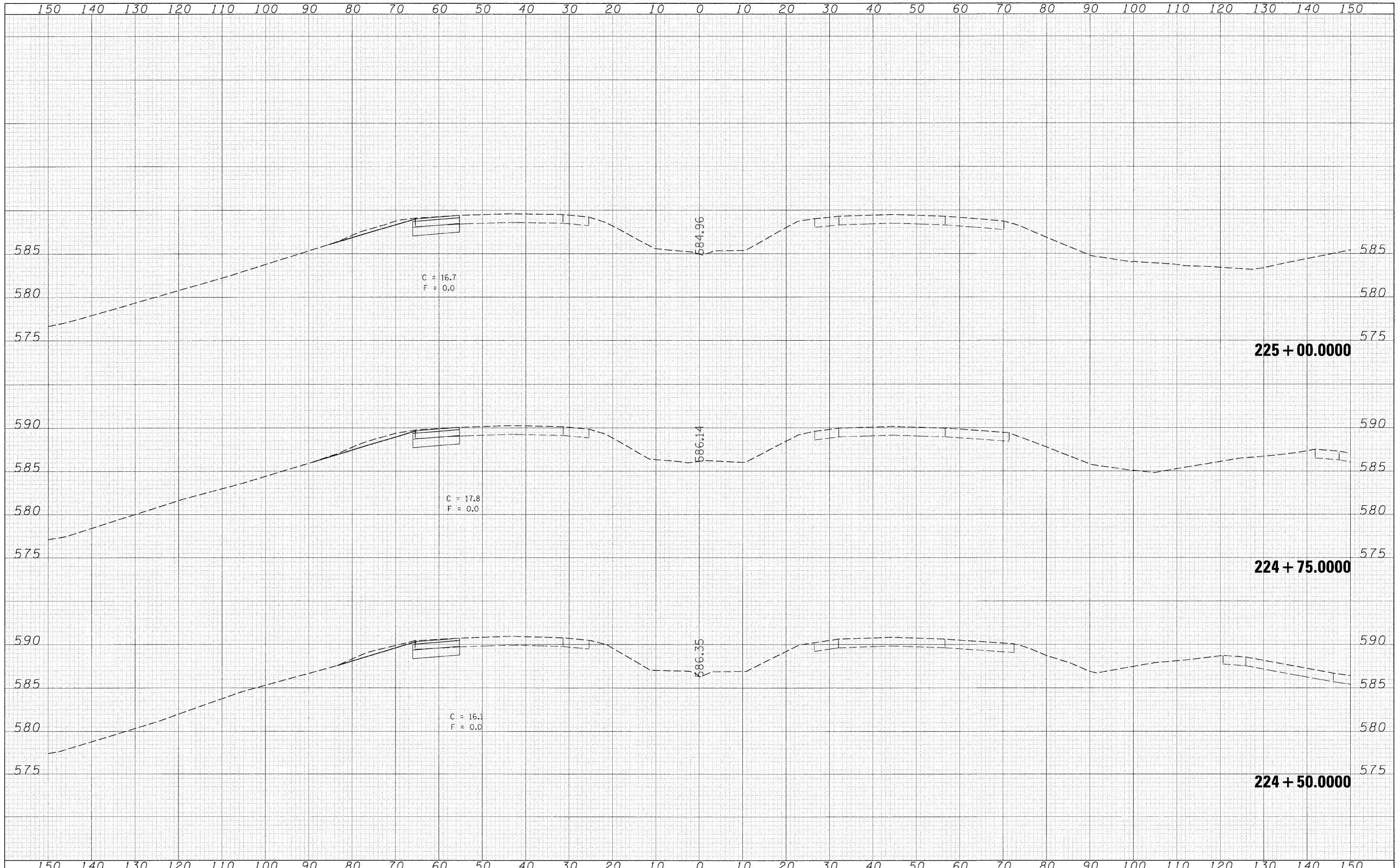
**STATE OF ILLINOIS
 DEPARTMENT OF TRANSPORTATION**

I-80 CROSS SECTIONS
 SCALE: _____ SHEET NO. ___ OF ___ SHEETS STA. 223+75.000 TO STA. 224+25.000

| | | | | |
|---|--------------|-------------|--------------|-----------|
| F.A.I. RTE. | SECTION | COUNTY | TOTAL SHEETS | SHEET NO. |
| -80- | -81-1B-DY-0- | ROCK ISLAND | -120 | -113 |
| CONTRACT NO. 64C74 | | | | |
| FED. ROAD DIST. NO. - [ILLINOIS] FED. AID PROJECT | | | | |

| | |
|--------------|----------|
| DATE | |
| BY | |
| FINAL SURVEY | SURVEYED |
| NOTE BOOK | PLOTTED |
| NO. | TEMPLATE |
| | AREAS |
| | CHECKED |

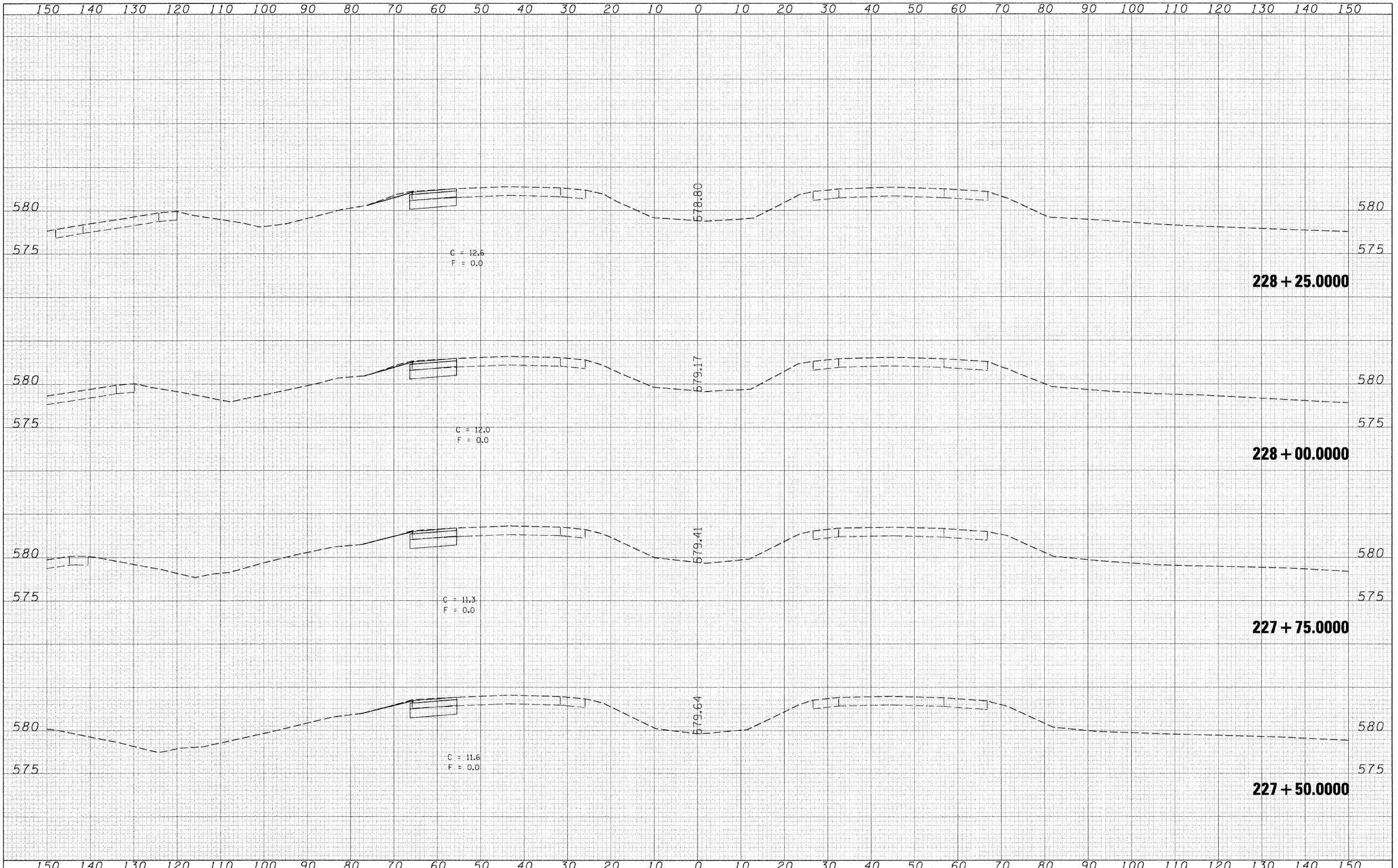
| | |
|-----------------|----------|
| DATE | |
| BY | |
| ORIGINAL SURVEY | SURVEYED |
| NOTE BOOK | PLOTTED |
| NO. | TEMPLATE |
| | AREAS |
| | CHECKED |



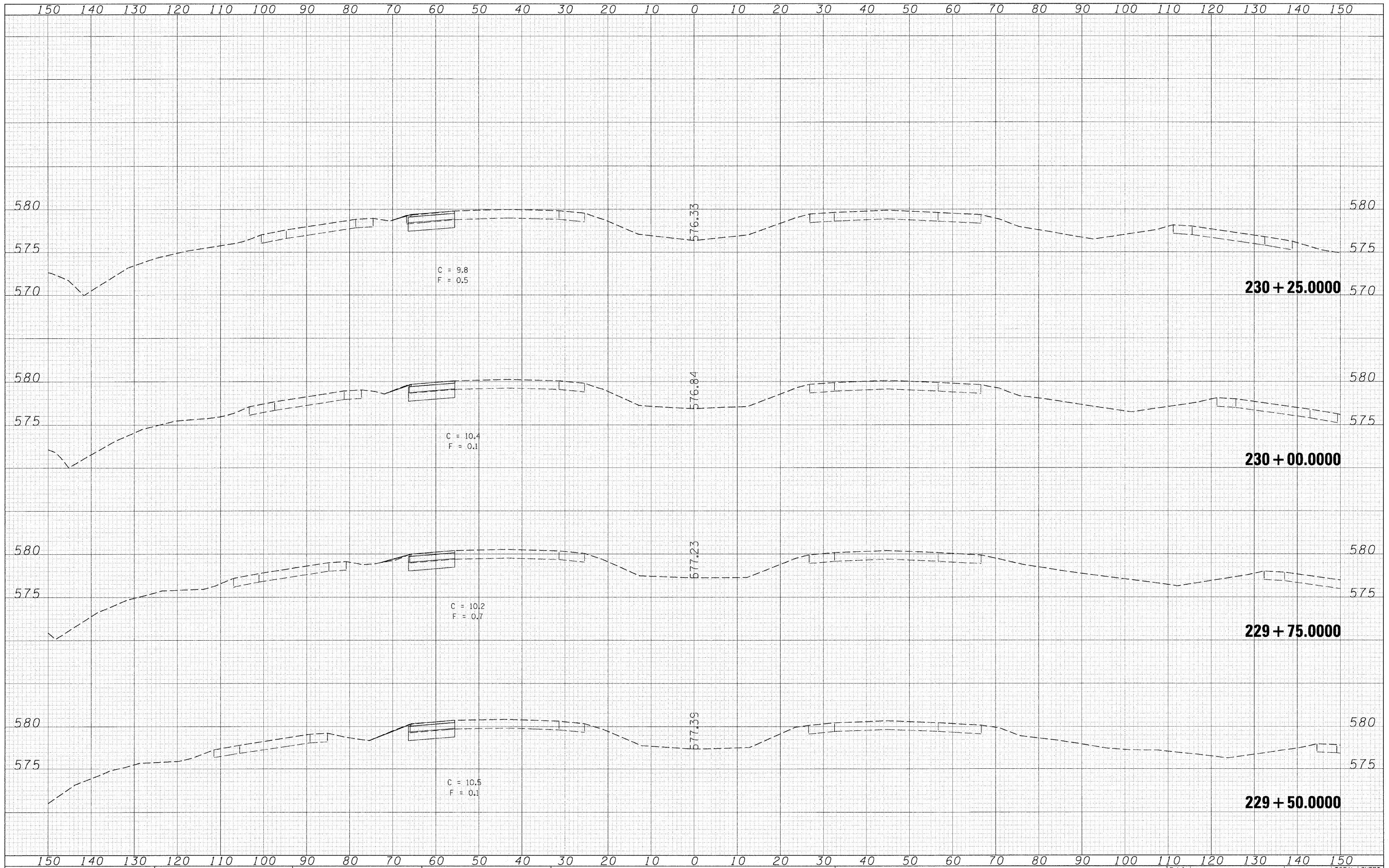
| | | | | | | | | | |
|--|----------------------|----------------|---------------|---|---------------------------|--------------------------------------|---|--------------------|-----------------|
| FILE NAME = C:\Projects\p220407\d02407.xml.dgn | USER NAME = jordanhd | DESIGNED - --- | REVISED - --- | STATE OF ILLINOIS DEPARTMENT OF TRANSPORTATION I-80 CROSS SECTIONS | F.A.I. RTE. -80- | SECTION -81-1HBY-D- | COUNTY -ROCK ISLAND- | TOTAL SHEETS -120- | SHEET NO. -114- |
| PLOT SCALE = 10,0000' / IN. | CHECKED - --- | REVISED - --- | SCALE: ----- | | SHEET NO. -- OF -- SHEETS | STA. 224+50.0000 TO STA. 225+00.0000 | FED. ROAD DIST. NO. - ILLINOIS FED. AID PROJECT | CONTRACT NO. 64C74 | |
| PLOT DATE = Thu Feb 28 13:44:32 2008 | DATE - ----- | REVISED - --- | | | | | | | |
| | | | | | | | | | |

| | |
|--------------|---------------|
| DATE | |
| BY | |
| FINAL SURVEY | SUBMITTED |
| NOTE BOOK | PLOTTED |
| NO. | TEMPLATE |
| | AREAS CHECKED |

| | |
|-----------------|---------------|
| DATE | |
| BY | |
| ORIGINAL SURVEY | SUBMITTED |
| NOTE BOOK | PLOTTED |
| NO. | TEMPLATE |
| | AREAS CHECKED |



| | | | | | | | | | | | |
|---|----------------------|----------------|---------------|---|----------------------------|-----------------------------|--------------------------------------|---|--------------------|---------------|--|
| FILE NAME = C:\Pro\jnotes\p228407\vd08407.xml.dgn | USER NAME = jordanhd | DESIGNED - --- | REVISED - --- | STATE OF ILLINOIS DEPARTMENT OF TRANSPORTATION | I-80 CROSS SECTIONS | F.A.I. RTE. -80- | SECTION 81-1HBY-0 | COUNTY ROCK ISLAND | TOTAL SHEETS 129 | SHEET NO. 117 | |
| PLOT SCALE = 10.0000' / IN. | DRAWN - --- | REVISED - --- | SCALE: _____ | | | SHEET NO. ___ OF ___ SHEETS | STA. 227+50.0000 TO STA. 228+25.0000 | FED. ROAD DIST. NO. - ILLINOIS FED. AID PROJECT | CONTRACT NO. 64C74 | | |
| PLOT DATE = Thu Feb 26 13:45:27 2008 | CHECKED - --- | REVISED - --- | | | | | | | | | |
| DATE - --- | REVISED - --- | | | | | | | | | | |



| | |
|-----------|--|
| DATE | |
| BY | |
| SUBMITTED | |
| PLOTTED | |
| TEMPLATE | |
| AREAS | |
| CHECKED | |
| NO. | |

| | |
|-----------|--|
| DATE | |
| BY | |
| SUBMITTED | |
| PLOTTED | |
| TEMPLATE | |
| AREAS | |
| CHECKED | |
| NO. | |

FILE NAME = C:\Projects\p228407\d02407.mxd
 USER NAME = jordanhd
 PLOT SCALE = 10.0000' / IN.
 PLOT DATE = Thu Feb 28 13:45:29 2008

| | | | |
|------------|-------|-----------|-----|
| DESIGNED - | --- | REVISED - | --- |
| DRAWN - | --- | REVISED - | --- |
| CHECKED - | --- | REVISED - | --- |
| DATE - | ----- | REVISED - | --- |

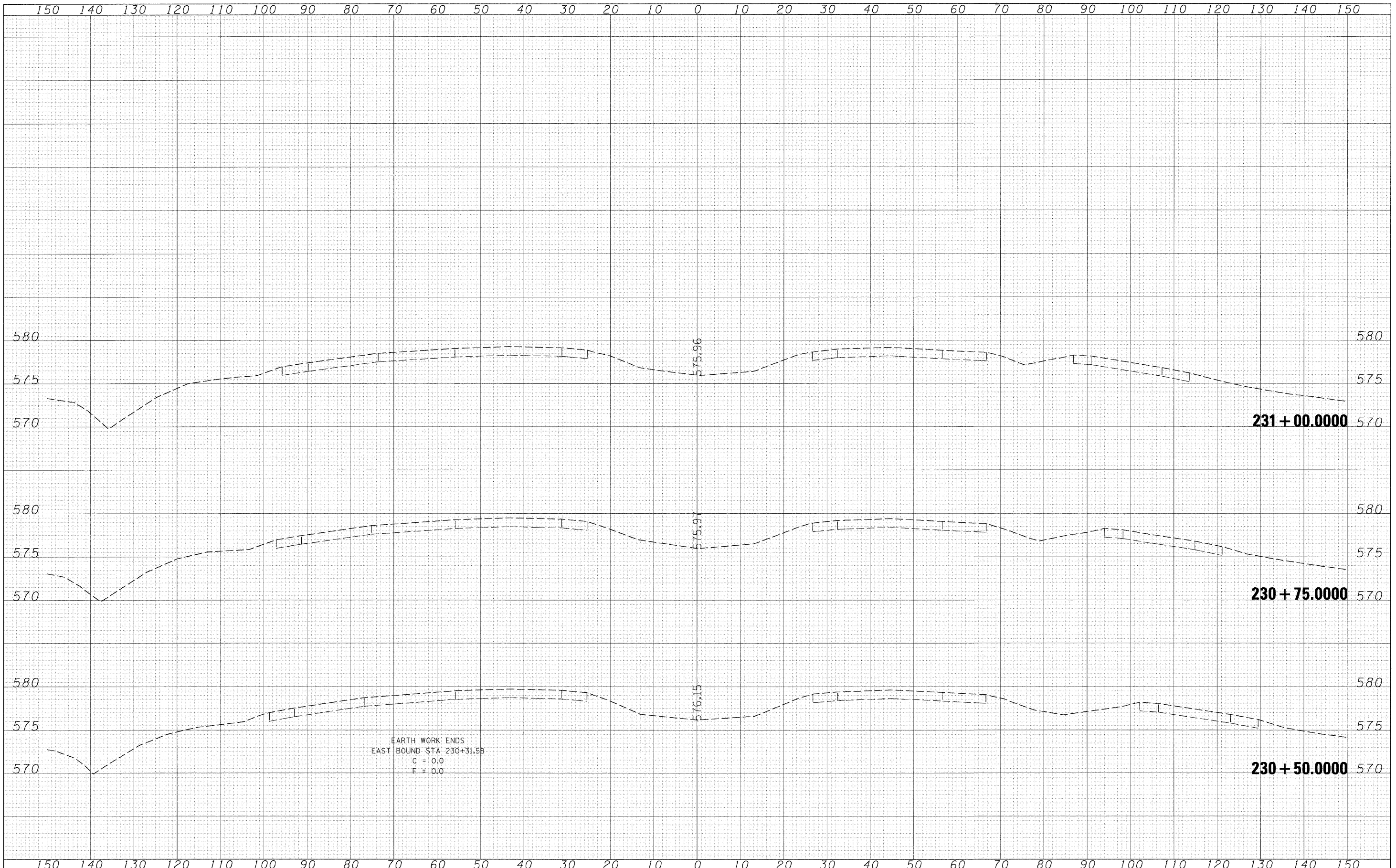
**STATE OF ILLINOIS
DEPARTMENT OF TRANSPORTATION**

I-80 CROSS SECTIONS
 SCALE: _____ SHEET NO. ___ OF ___ SHEETS STA. 229+50.0000 TO STA. 230+25.0000

| F.A.I. RTE. | SECTION | COUNTY | TOTAL SHEETS | SHEET NO. |
|---|-----------|-------------|--------------------|-----------|
| 80 | 81-18BY-0 | ROCK ISLAND | 120 | 119 |
| FED. ROAD DIST. NO. - ILLINOIS FED. AID PROJECT | | | CONTRACT NO. 64C74 | |

| | |
|--------------|-----------|
| DATE | |
| BY | |
| FINAL SURVEY | SUBMITTED |
| NOTE BOOK | PLOTTED |
| NO. | TEMPLATE |
| | AREAS |
| | CHECKED |

| | |
|-----------------|-----------|
| DATE | |
| BY | |
| ORIGINAL SURVEY | SUBMITTED |
| NOTE BOOK | PLOTTED |
| NO. | TEMPLATE |
| | AREAS |
| | CHECKED |



FILE NAME = C:\Pro_data\p200407\d00407.m1.dgn
 USER NAME = jordanhd
 PLOT SCALE = 10.0000' / IN.
 PLOT DATE = Thu Feb 28 13:45:42 2008

| | | | |
|----------|---|-------|---|
| DESIGNED | - | REVIS | - |
| DRAWN | - | REVIS | - |
| CHECKED | - | REVIS | - |
| DATE | - | REVIS | - |

**STATE OF ILLINOIS
 DEPARTMENT OF TRANSPORTATION**

I-80 CROSS SECTIONS
 SCALE: _____ SHEET NO. ___ OF ___ SHEETS STA. 230+50.0000 TO STA. 231+00.0000

| | | | | |
|---|-----------|-------------|--------------|--------------------|
| F.A.I. RTE. | SECTION | COUNTY | TOTAL SHEETS | SHEET NO. |
| -80- | 81-18BY-0 | ROCK ISLAND | 120 | 120 |
| | | | | CONTRACT NO. 64C74 |
| FED. ROAD DIST. NO. - ILLINOIS FED. AID PROJECT | | | | |