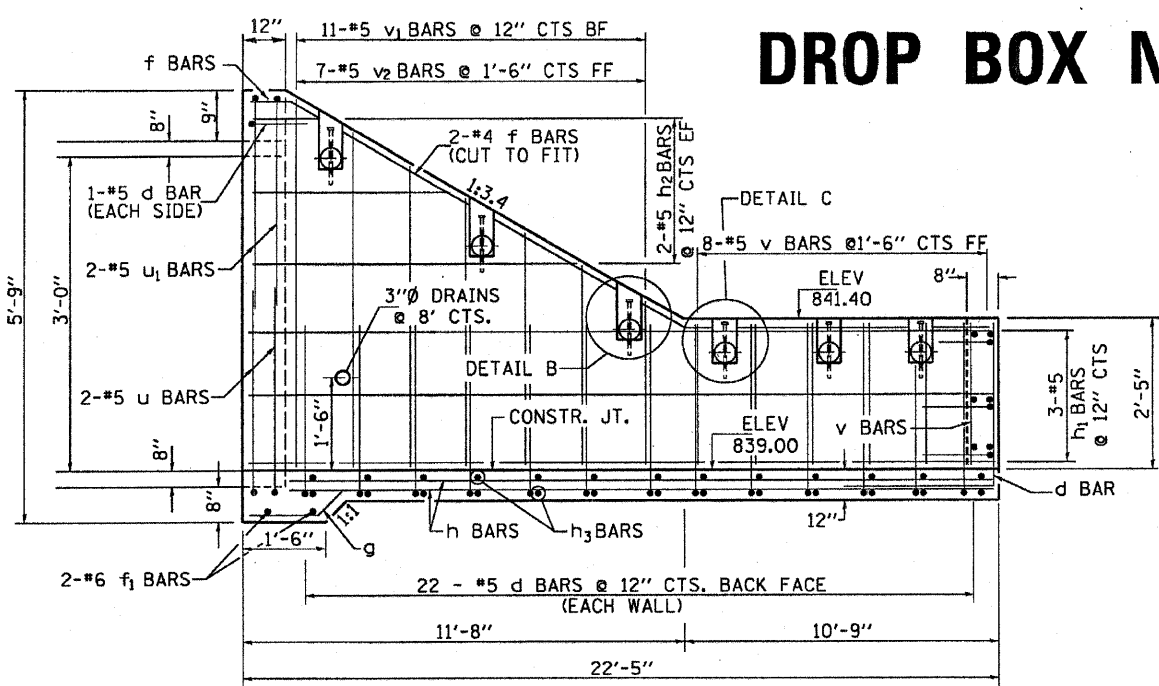
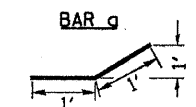
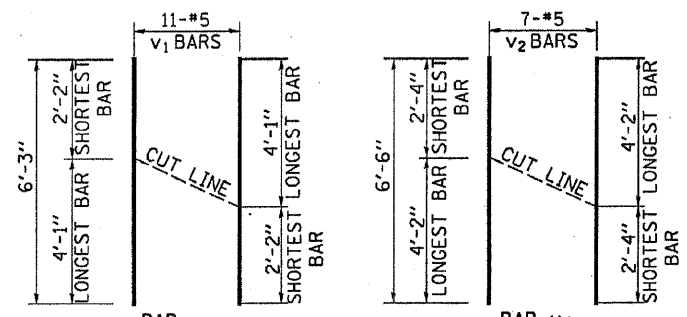


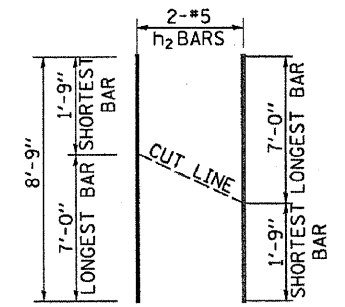
DROP BOX NO. 1



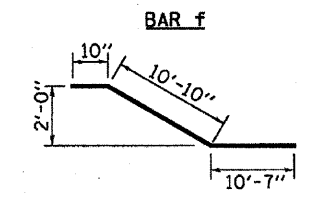
SIDEWALLS



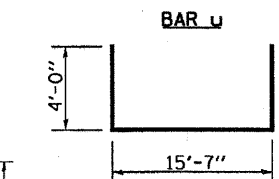
BAR v1 CUT DIAGRAM
BAR v2 CUT DIAGRAM



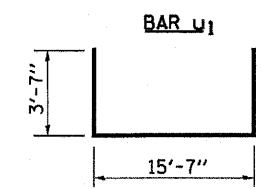
BAR h2 CUT DIAGRAM



BAR f



BAR u



BAR u1

BILL OF MATERIAL

(For Information Only)

BAR	SIZE	NO.	LENGTH	SHAPE
d	5	69	6'-0"	
f	4	4	22'-3"	
f1	6	2	15'-8"	
g	5	17	2'-0"	
h	5	34	21'-2"	
h1	5	12	22'-2"	
h2	5	4	8'-9"	
h3	5	60	15'-8"	
v	5	27	2'-2"	
v1	5	11	6'-3"	
v2	4	7	6'-6"	
u	5	2	24'-7"	
u1	5	2	22'-9"	

DESCRIPTION	UNIT	QTY
CONCRETE STRUCTURES	CU YD	17.5
REINFORCEMENT BARS	LB	2,900

DESCRIPTION	UNIT	QTY.
4" GALVANIZED STEEL PIPE	6e	16'-3"
	7e	10'-9"
	7e	10'-11"
4" GALVANIZED PIPE CAPS	EACH	40
1/4" GALVANIZED STEEL PLATE (9" NOMINAL)	EACH	19
1/2"x4"x14" GALVANIZED STEEL PLATE	EACH	19
5/8"x9" GALVANIZED STEEL BOLTS	EACH	42

GENERAL NOTES

Order h2, v1 & v2 Bars Full Length and cut to fit in field. Use Remainder in Opp. Wall

This work shall be done according to the applicable portion of 503, 508, and 540 of the Standard Specifications.

Contractor shall field verify Galvanized pipe length

Exposed edges shall be beveled 3/4 "

The contract unit price "each" for DROP BOX NO. 1 shall include the Expansion Bolts, Galvanized Pipe, Concrete Structures, Reinforcement Bars, Bolts, Nuts, Washers, Steel Plates, earth excavation where required, and necessary grading to fit the inlet as shown in the cross sections or to the slope

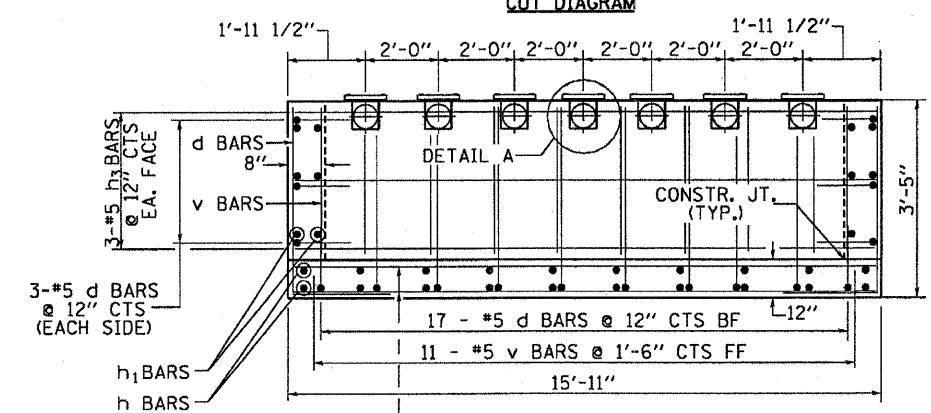
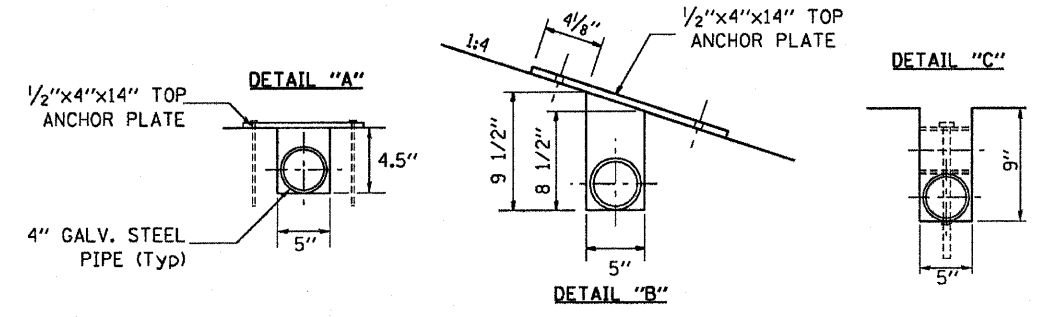
Reinforcement bars shall conform to the requirements of ASTM A 706 Gr. 60 (IL Modified). See Special Provisions.

Steel Plates shall conform to AASHTO M-183 and shall be Galvanized conforming to AASHTO M-111.

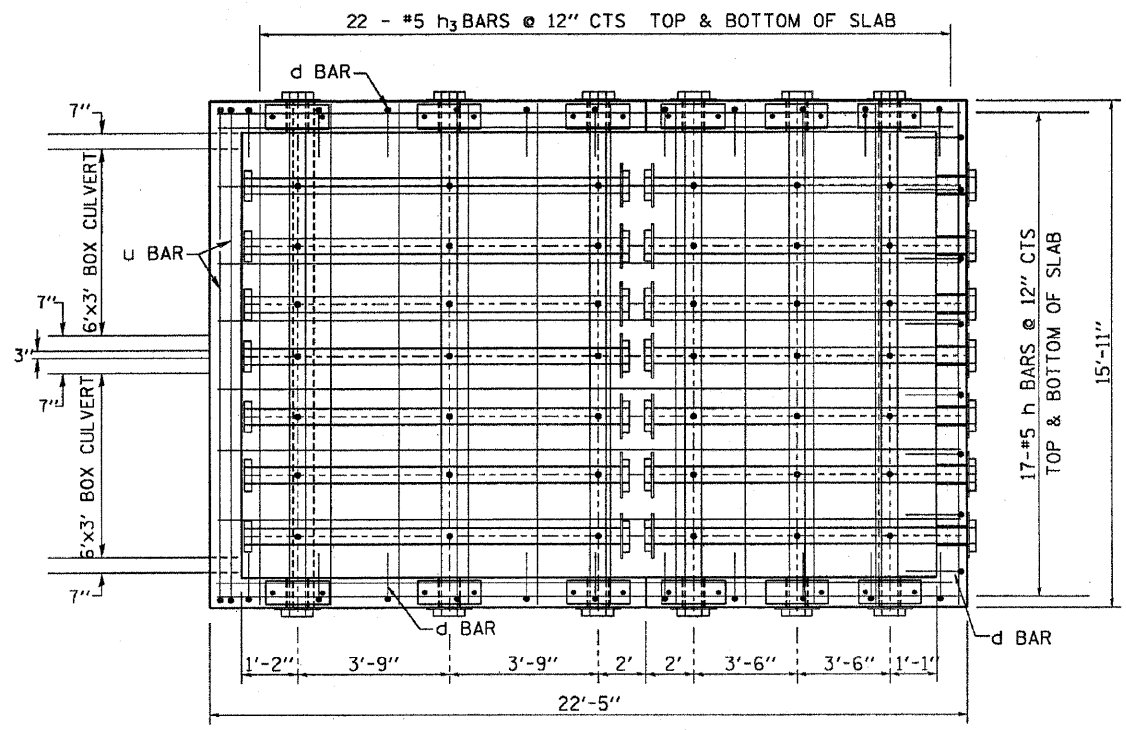
Bolts, Nuts, and Washers shall be in accordance with Article 505 of the Standard Specification and shall be galvanized.

See Plan and Profile Sheet for more information.

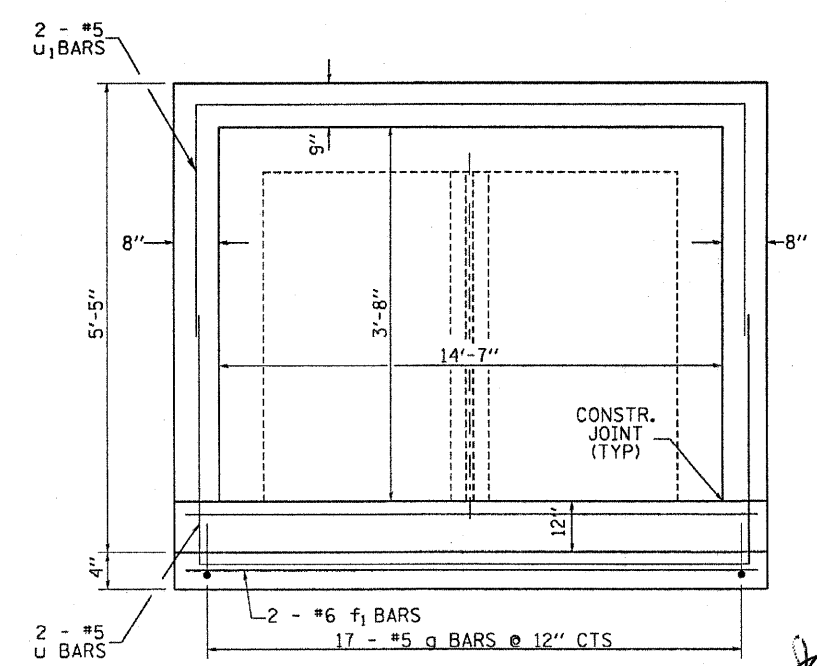
See Cross Section Sheet for more information.



BACK WALL



BOTTOM SLAB



HEADWALL

James O. Hamilton
1/24/2008
Expires 4/30/2008

REVISIONS		ILLINOIS DEPARTMENT OF TRANSPORTATION
NAME	DATE	
		SCALE: VERT. HORIZ. DATE DRAWN BY CHECKED BY

PLOT DATE = 1/23/2008
 FILE NAME = V:\Bridges\2244-16\end section & culvert.t
 PLOT SCALE = 1/8"=1'-0"
 USER NAME = bnebel