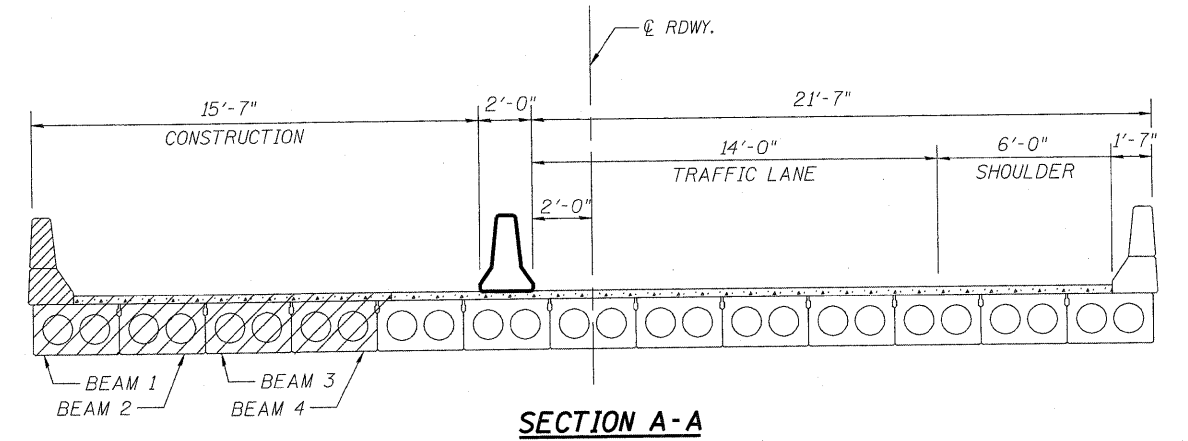
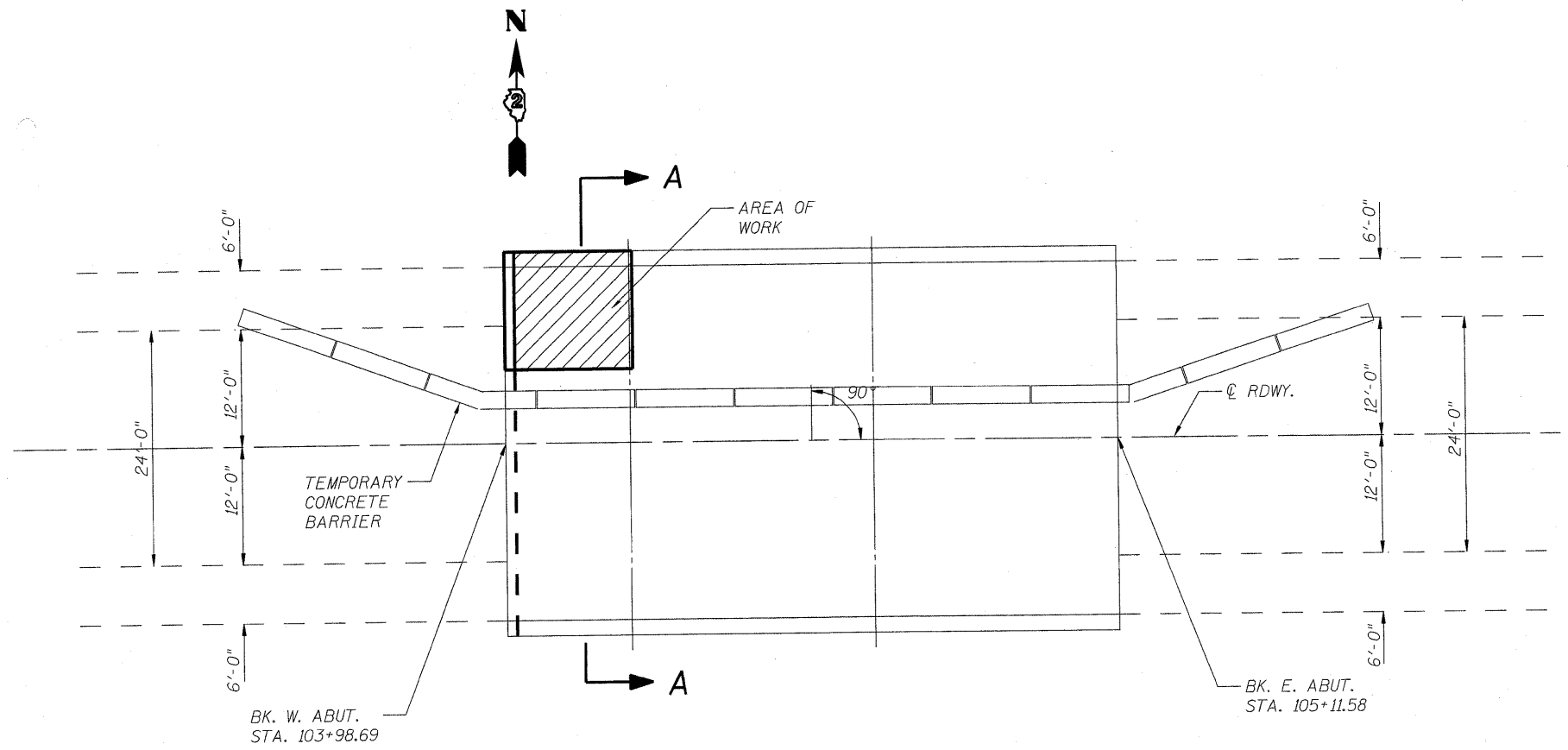


STATE OF ILLINOIS  
DEPARTMENT OF TRANSPORTATION

ROUTE NO.	SECTION	COUNTY	TOTAL SHEETS	SHEET NO.	SHEET NO. 2 4 SHEETS
FAP 17	-	CARROLL	27	12	
FED. ROAD DIST. NO. 7	ILLINOIS	FED. AID PROJECT			



**CONSTRUCTION**

- Install temporary concrete barrier as shown.
- Move traffic to lanes on south side of bridge.
- Sawcut concrete wearing surface, remove deck over beams 1-4 in span 1. Remove beams 1-4 in span 1.
- Salvage existing deck drain through parapet, for reinstallation.
- Replace beams, wearing surface, and parapet.
- Remove temporary concrete barrier.

DESIGNED	-DFM
CHECKED	-RB
DRAWN	-EBS
CHECKED	-DFM

**STAGING PLAN**  
**F.A.P. 17 (US RTE 52 & IL RTE 64)**  
**CARROLL COUNTY**  
**STRUCTURE NO. 008-0029**