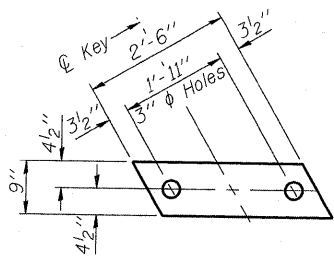
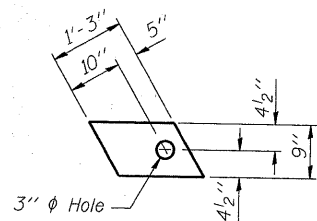


STATE OF ILLINOIS  
DEPARTMENT OF TRANSPORTATION

ROUTE NO.	SECTION	COUNTY	TOTAL SHEETS	SHEET NO.
F.A.P. 17		CARROLL	27	17
FED. ROAD DIST. NO. 7		ILLINOIS	FED. AID PROJECT	SHEETS
				6 SHEETS

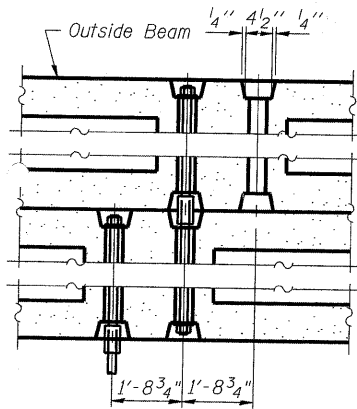


**FABRIC BEARING PAD**  
(Interior)  
(None Required)

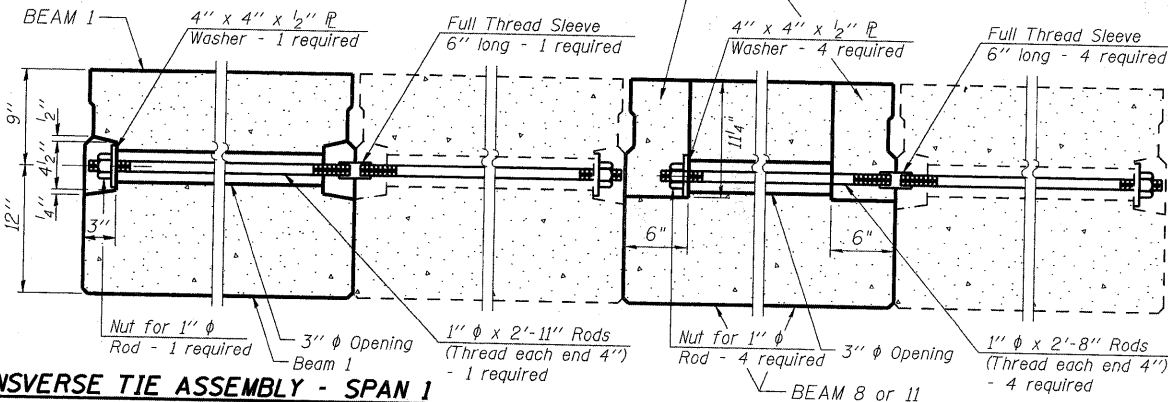


**FABRIC BEARING PAD**  
(Exterior)  
(12 Required)

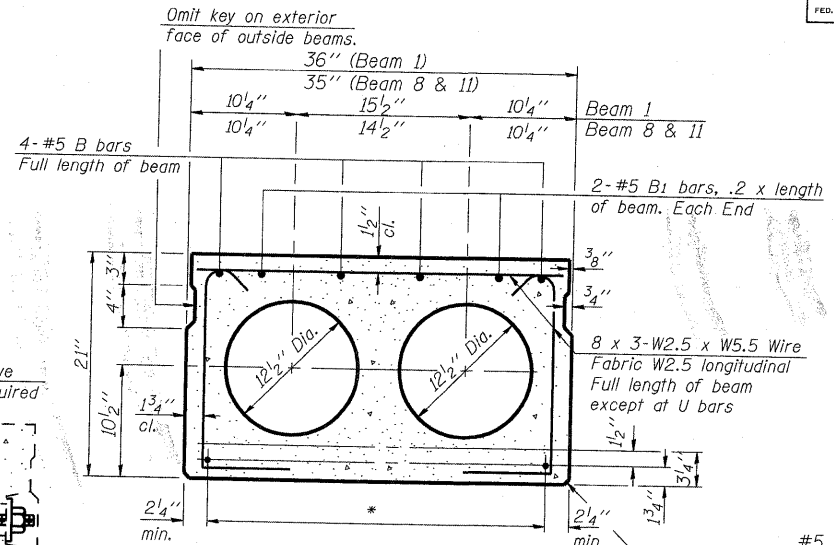
6" x 2'-7" x 11 1/4" Blockout to be filled with Class BS Concrete after Beams have been installed. Cost shall be included in the cost of "Concrete Wearing Surface". Blockout needed on both sides, Beams 8 & 11.



**FIXED**



**TYPICAL TRANSVERSE TIE ASSEMBLY - SPAN 1**



**TYPICAL SECTION**

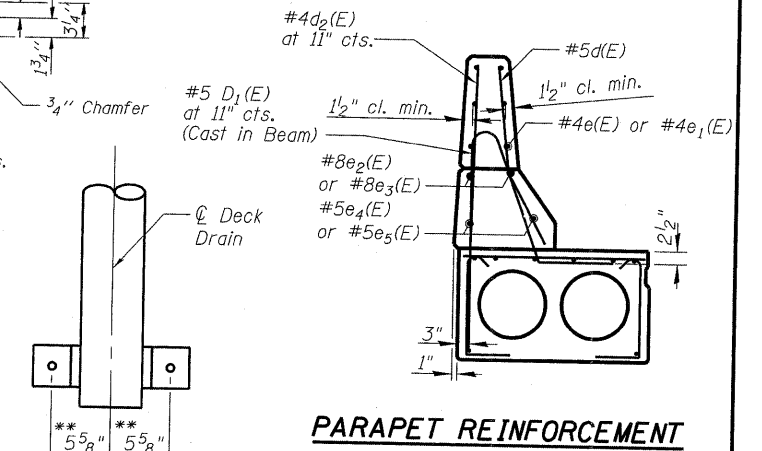
1/2"  $\phi$  Strands, Each Strand Stressed to 30,900 Lbs.  
5-Strands 1 3/4" up, 8-Strands 3/4" up,  
2-Strands 9" up

Note:  
Place strands symmetrically about  $\phi$  of beam.

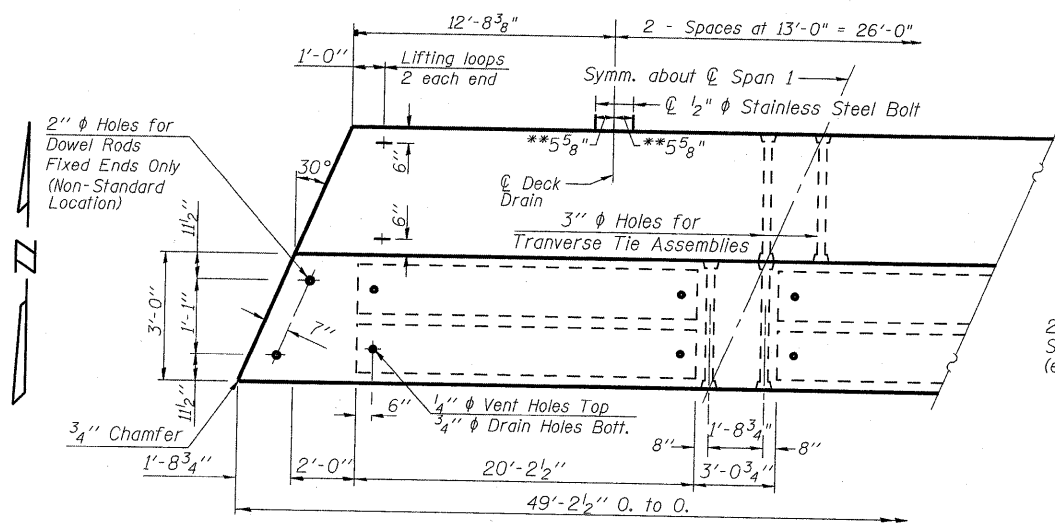
**\*TRANSVERSE  
PLACEMENT GUIDELINES**

1. Place strands symmetrically about centerline of beam.
2. The minimum distance from center to center of strands in all directions shall be 2".
3. The minimum clearance from strand to dowel hole shall be 1/2".
4. The minimum clearance from strand to void shall be 1/2".

Vertical placement of strands shall not be adjusted to satisfy the above guidelines.

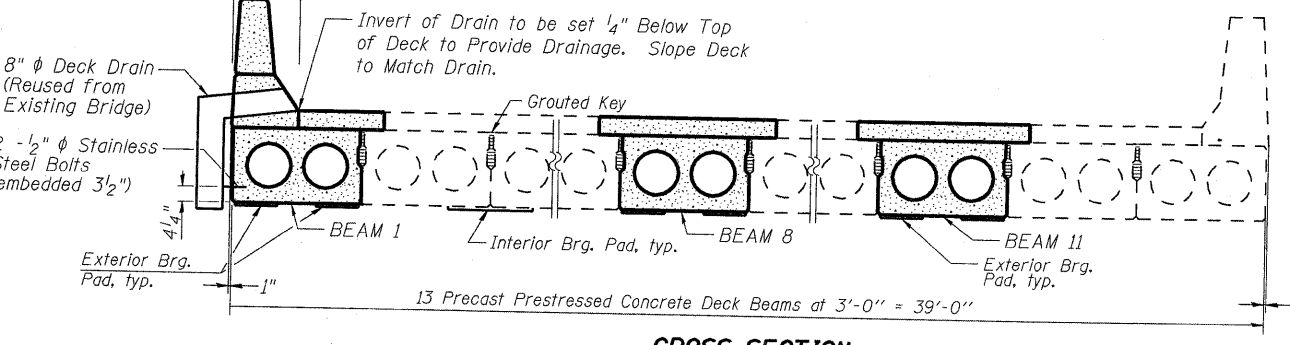


**PARAPET REINFORCEMENT**



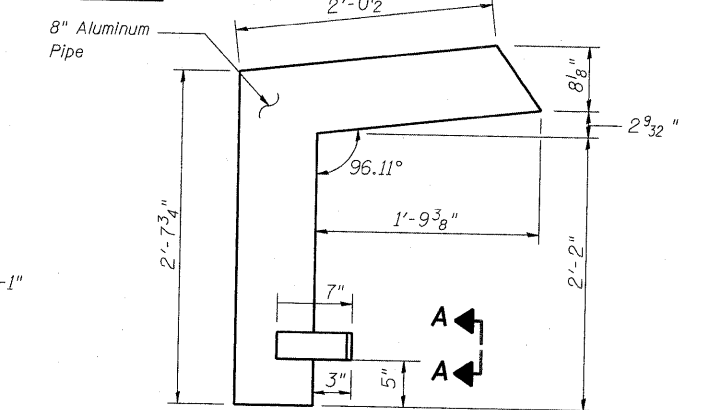
**PARTIAL PLAN SPAN 1**

\*\* Verify existing dimension prior to fabricating beam.



**CROSS SECTION**

**VIEW A-A**



**ALUMINUM DECK DRAIN**

(Existing to be reinstalled in new parapet. Cost to be incidental to concrete superstructure.)

**BILL OF MATERIAL**

Precast Prestressed Conc. Deck Bms. (21" Deep)	Sq. Ft.	435
--	---------	-----

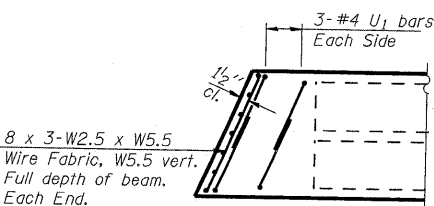
**DECK BEAM DETAILS**

**SPAN 1**

F.A.P. 17 (US RTE 52 & IL RTE 64)

CARROLL COUNTY

STRUCTURE NO. 008-0030

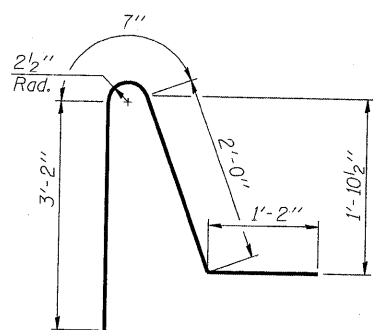


**END PLAN**

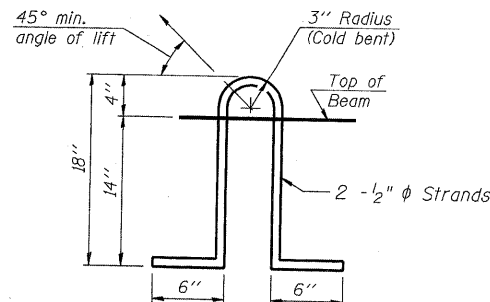
DESIGNED - DFM
CHECKED - RB
DRAWN - EBS
CHECKED - DFM

PD-3-L

11-1-06



**BAR D1(E)**



**LIFTING LOOP DETAIL**

**NOTES**

- Prestressing steel shall be uncoated high strength, low relaxation 7-wire strand, Grade 270. The nominal diameter shall be 1/2" and the nominal cross-sectional area shall be 0.153 sq. in. Lifting loops shall be 2 - 1/2"  $\phi$  -270 ksi strands, as shown.
- The 1"  $\phi$  rods in the transverse tie assembly shall be tightened to a snug fit and the threads set. Pockets that receive transverse tie bar on outside shall be filled with grout after transverse tie assembly is in place.
- Non prestressing steel shall conform to ASTM A 706 (IL MOD), Grade 60.
- The bearing seat surfaces shall be adjusted by shimming to assure firm and even bearing. Two 3/8" fabric adjusting shims of the dimensions of the Exterior Bearing Pad shall be provided for each bearing.
- Keyway surfaces shall be cleaned to remove form oil or other bond breaking material prior to shipment of the beams. Cleaning shall be done by sandblasting the keyway areas between top of the beam and the bottom edge of the key.
- Corrosion Inhibitor, per Article 1020.05(b)(12) of the Standard Specifications, shall be used in the concrete for precast prestressed concrete deck beams.
- Required Release Strength, f'cl, shall be 4000 p.s.i.