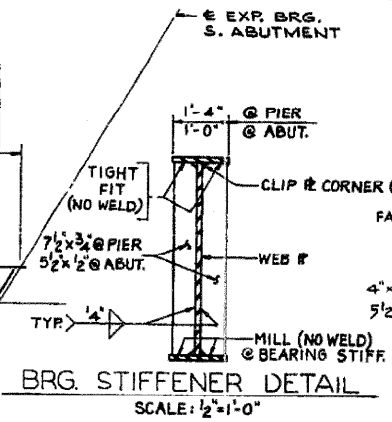
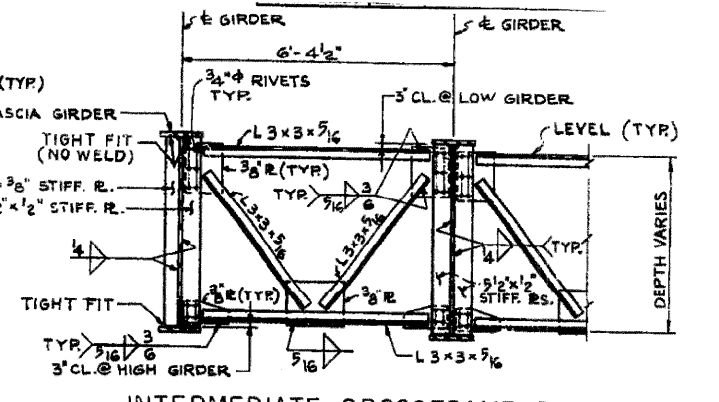


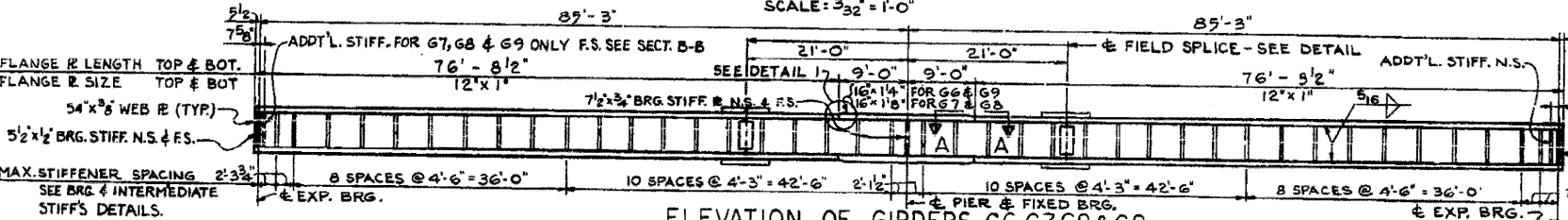
FRAMING PLAN
SCALE: 3/32" = 1'-0"



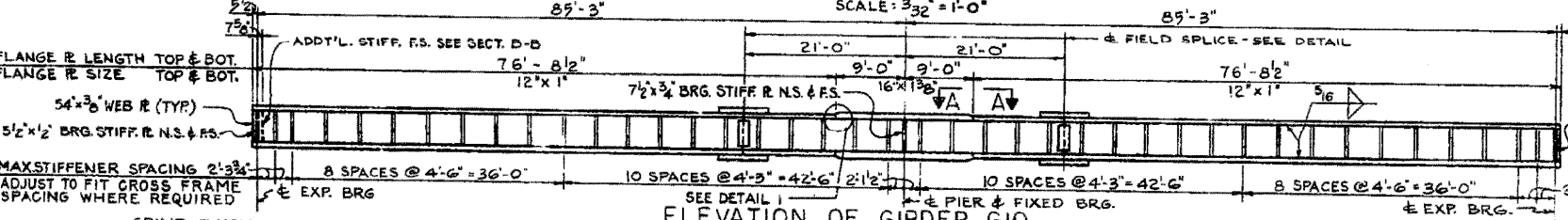
BRG. STIFFENER DETAIL
SCALE: 1/2" = 1'-0"



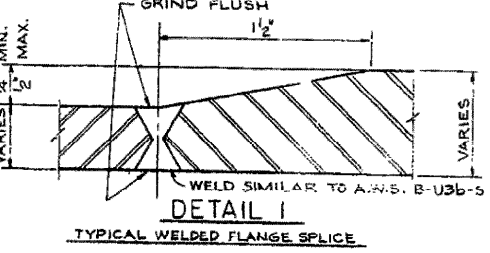
INTERMEDIATE CROSSFRAME DETAIL
SCALE: 1/2" = 1'-0"



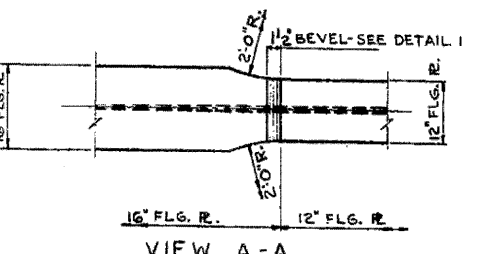
ELEVATION OF GIRDERS G6, G7, G8 & G9
SCALE: 3/32" = 1'-0"



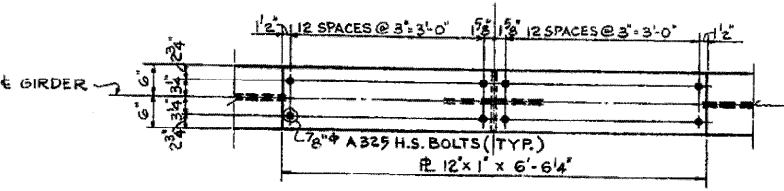
ELEVATION OF GIRDER G10
SCALE: 3/32" = 1'-0"



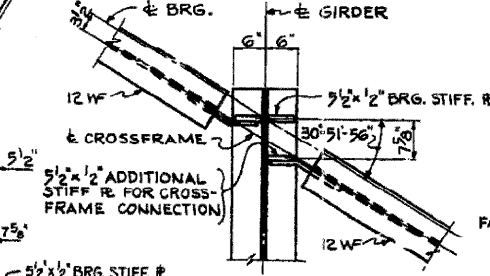
DETAIL 1
TYPICAL WELDED FLANGE SPlice



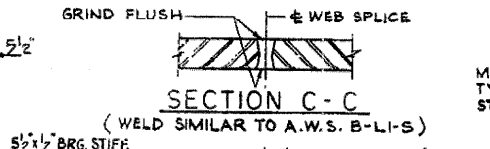
VIEW A-A
PLAN OF TYPICAL TRANSITION FROM 16 TO 12 FLANGE R.
SCALE: 3/4" = 1'-0"



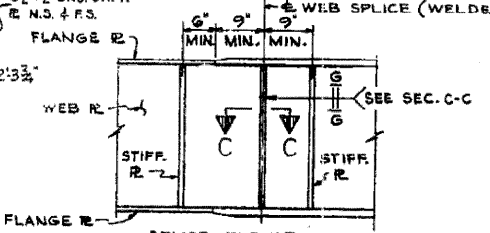
TYPICAL FIELD SPlice DETAIL (G6 THRU G10)
SCALE: 3/4" = 1'-0"



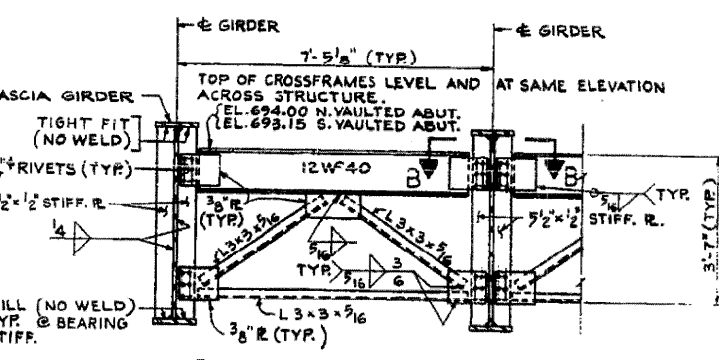
SECTION B-B
SCALE: 3/4" = 1'-0"



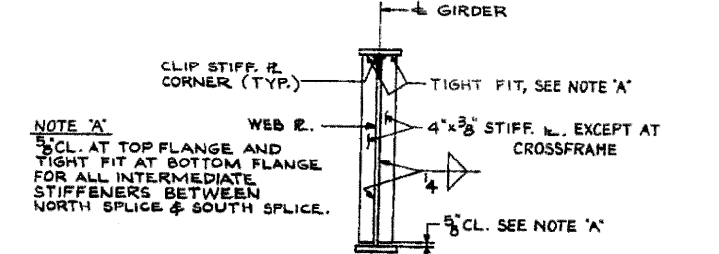
SECTION C-C
SCALE: 3/4" = 1'-0"



TYPICAL GIRDER SHOP SPlice DETAIL
(OPTIONAL) NOT TO SCALE



END CROSSFRAME DETAIL
SCALE: 1/2" = 1'-0"



INTERMEDIATE STIFFENER DETAIL
SCALE: 1/2" = 1'-0"

LEGEND
NS - NEAR SIDE
FS - FAR SIDE

TABLE OF PROPERTIES INTERIOR BEAMS

STEEL SECTION	ABUT.				SPAN				PIER			
	1	2	3	4	1	2	3	4	1	2	3	4
I _s	18410	23072	18410	32270								
S _{Ts}	663	824	663	1146								
S _{Bs}	663	824	663	1146								

* NOTE:
ADD 690.0000' TO ALL TABULATED ELEVATIONS

TOP OF WEB ELEVATION*

PT	GIR.		PIER		GIR.	
	N. ABUT.	S. ABUT.	N. ABUT.	S. ABUT.	N. ABUT.	S. ABUT.
G6	4.185	3.864	3.759	3.654	3.333	
G7	4.304	3.903	3.878	3.772	3.451	
G8	4.422	4.101	3.996	3.891	3.570	
G9	4.541	4.220	4.114	4.010	3.688	
G10	4.617	4.296	4.191	4.086	3.765	

TABLE OF MOMENTS AND REACTIONS-INTERIOR BEAMS

	MOMENTS		REACTIONS	
	4 SPAN	PIER	ABUT	PIER
D.L.	586.0	-1087	37	125
L.L.	620.0	-568	38	76
IMP.	147.0	-133	9	13
TOTAL	1353.0	-1788	84	194

MOMENTS ARE IN FT-KIPS
REACTIONS ARE IN KIPS

BILL OF MATERIAL

ITEM	UNIT	QUANTITY
FURNISHING AND ERECTING STRUCTURAL STEEL	POUND	166,490

STEEL FRAMING PLAN & DETAILS
F.A.I. 74-SECTION 81-1HB-4
F.A.I. 74 UNDER 27TH STREET CONNECTION
ROCK ISLAND COUNTY

* FAI ROUTES 74 & 88
** D2 BRIDGE PAINTING 2008-1

FOR INFORMATION ONLY
LOCATION 1 Structure Number 081-0107

FILE NAME = P:\PAINTING\64089\paint2008-1.dgn	USER NAME = linkdj	DESIGNED -	REVISED -
		DRAWN -	REVISED -
		CHECKED -	REVISED -
		DATE -	REVISED -

STATE OF ILLINOIS
DEPARTMENT OF TRANSPORTATION

EXISTING BRIDGE PLANS

SCALE:	SHEET NO.	OF SHEETS	STA.	TO STA.
--------	-----------	-----------	------	---------

F.A. RTE.	SECTION	COUNTY	TOTAL SHEETS	SHEET NO.
		ROCK ISLAND	40	11
FED. ROAD DIST. NO. [ILLINOIS] FED. AID PROJECT			CONTRACT NO. 64D89	