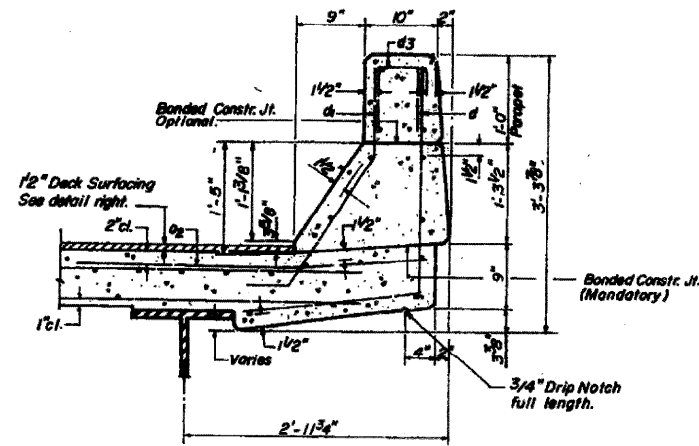
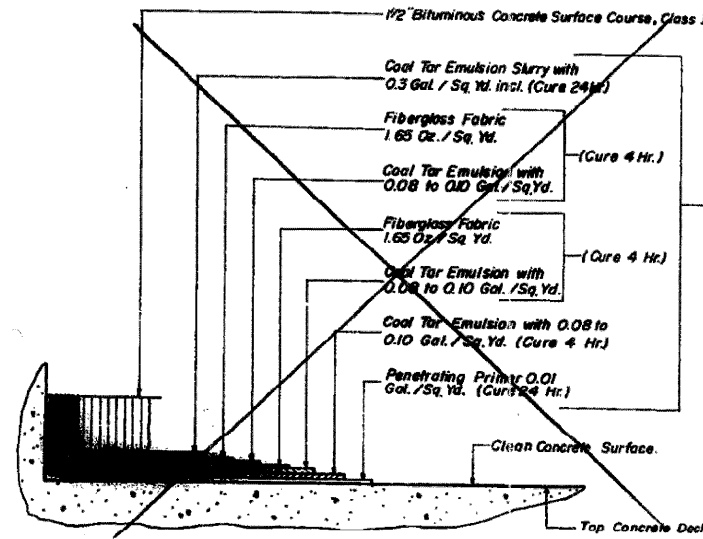


**SECTION A-A**



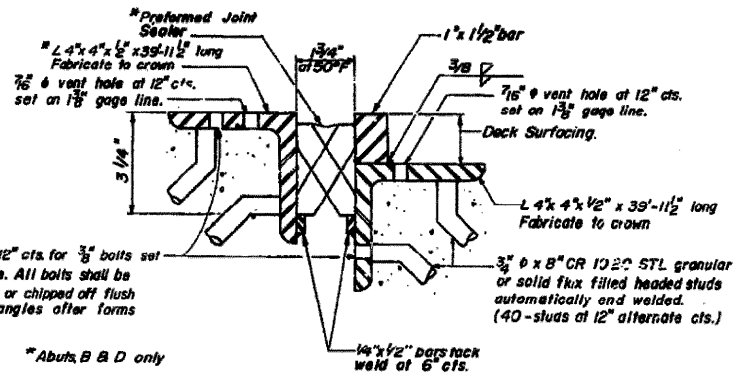
**CURB SECTION**

Cost of Drains shall be incidental to Class X Concrete



**DECK SURFACING**

with Coal Tar Interlayer Protective Coat

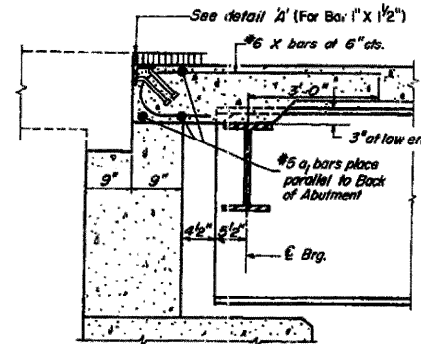


**DETAIL A**

Scale: 3/8"=1"

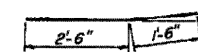
**PREFORMED JOINT SEALER (2 1/2")**

**TYPICAL END OF SEALER TREATMENT**



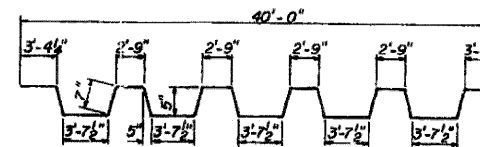
**SECTION B-B**

**BAR d**



**BAR a<sub>e</sub>**

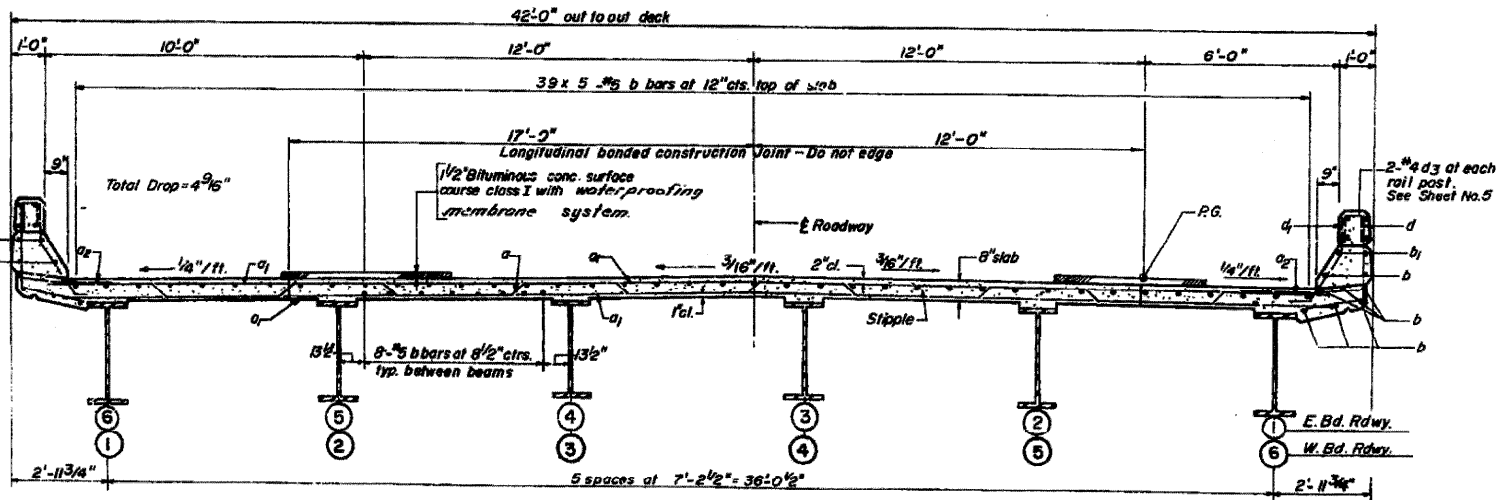
**BAR d<sub>i</sub>**



**BAR a**

BILL OF MATERIAL					
BAR	NO.	SIZE	LENGTH	SHAPE	
a	81	#5	41'-8"	BAR	
a <sub>1</sub>	165	#5	40'-0"	BAR	
a <sub>2</sub>	162	#6	4'-0"	BAR	
b	285	#5	26'-10"	BAR	
b <sub>1</sub>	12	#8	27'-4"	BAR	
d	156	#4	4'-7"	BAR	
d <sub>1</sub>	156	#5	3'-5"	BAR	
x	80	#6	5'-1"	BAR	
* Reinforcement Bars Lbs. 21,900 * Class X Concrete Cu. Yds. 96.8 * Structural Steel Lbs. 91,540 * Waterproof Mem. System Sq. Yds. 335 * Fiberglass Fabric Ton 2.8 * Protective Coat Sq. Yds. 61 * Preformed Jt. Sealer 2 1/2" Lin Ft. 42					

Note: Bill of Material for one bridge only. Material for two bridges required.  
 \* Weight of bearing assemblies with lead plates and anchor bolts are included in Structural Steel.  
 \* Parapet Reinforcement and Class X Concrete are billed on sheet No. 5  
 Note: Work this Sheet with Sheet No. 3



**CROSS SECTION**

Looking East W. Bd. Roadway  
 Looking West E. Bd. Roadway

**BAR X**

DESIGNED	PR
CHECKED	PK
DRAWN	GG
CHECKED	DMP

# FOR INFORMATION ONLY

## LOCATION 4 Structure Numbers 081-0122 & 0123

**DECK DETAILS**  
 FA 403 SECTION 161-1B-1  
 FA 403 OVER ZUMA CREEK  
 ROCK ISLAND COUNTY  
 STATION 428 + 77.00  
 COR 9-25-72 LS

\* FAI ROUTES 74 & 88  
 \*\* D2 BRIDGE PAINTING 2008-1

FILE NAME = P:\PAINTING\64089\paint2008-1.dgn	USER NAME = linkj	DESIGNED -	REVISED -	STATE OF ILLINOIS DEPARTMENT OF TRANSPORTATION	EXISTING BRIDGE PLANS	F.A. R.T.E.	SECTION	COUNTY	TOTAL SHEETS	SHEET NO.
	PLOT SCALE = 50,0000 / IN.	DRAWN -	REVISED -			*	**	ROCK ISLAND	40	27
	PLOT DATE = Tue Jan 29 14:35:26 2008	CHECKED -	REVISED -		SCALE:			CONTRACT NO. 64D89		
		DATE -	REVISED -		SHEET NO.	OF	SHEETS	STA.	TO STA.	FED. ROAD DIST. NO.