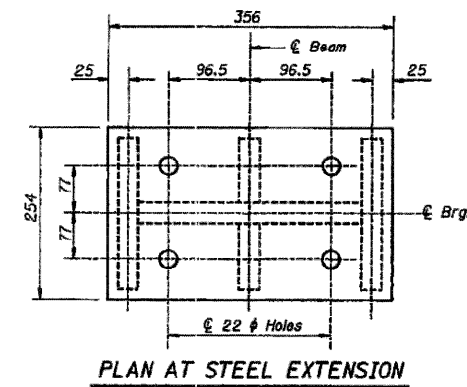
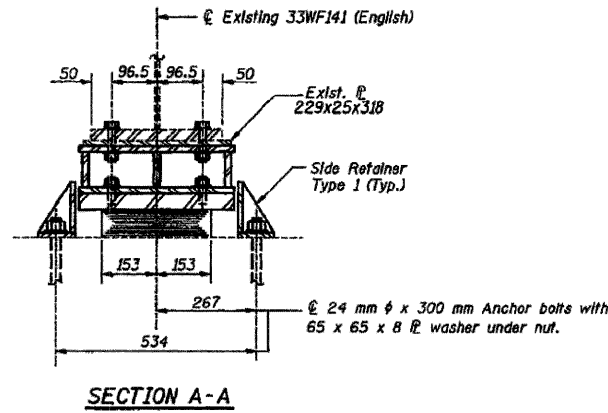
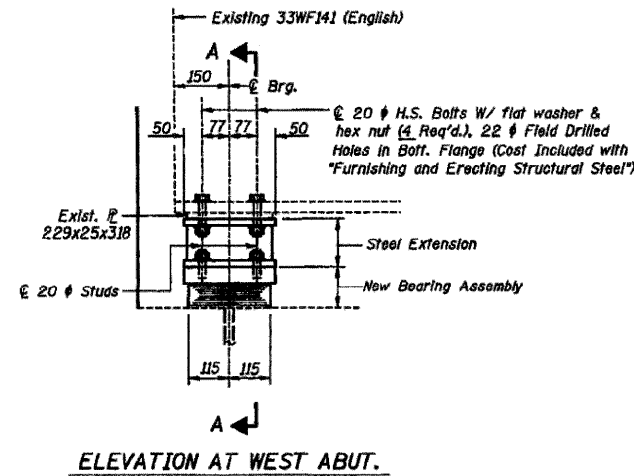


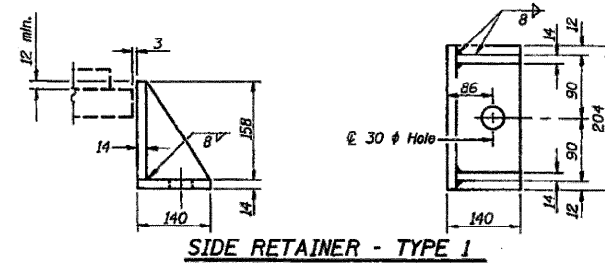
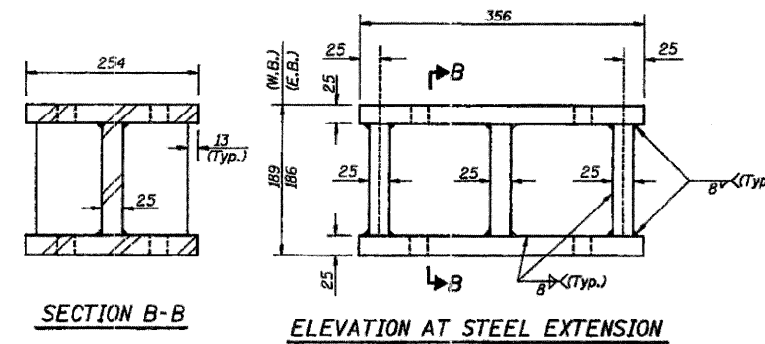
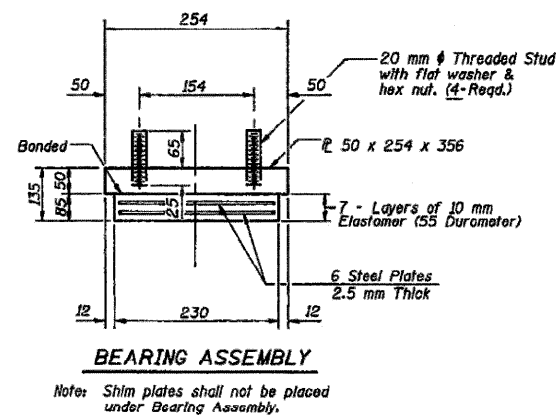
# FOR INFORMATION ONLY

STATE OF ILLINOIS  
DEPARTMENT OF TRANSPORTATION

ROUTE NO.	SECTION	COUNTY	TOTAL SHEET
F.A.P. 301	3 VBR	WINNEBAGO	78 61
FED. ROAD DIST. NO.	ILLINOIS PROJECT		



Provide 13x254x356 Shim # at Beams 3 and 8

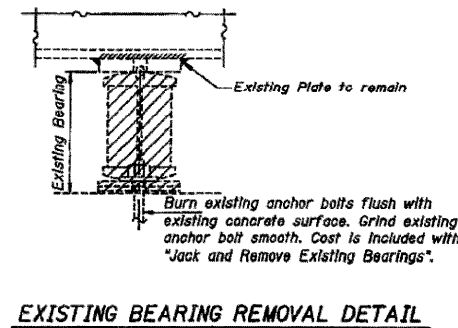


Equivalent rolled angle with stiffeners will be allowed in lieu of welded plates. Weight included with Structural Steel. (No. Req'd. = 20)

**JACK AND REMOVE EXISTING BEARINGS PROCEDURE**

- The Contractor shall submit, for approval by the Engineer, plans for jacking prior to commencing any work at the bearings.
- Jacking and removing existing bearings shall be done after existing deck removal is completed and before the new deck is poured.
- Jacking shall be limited to a maximum of 1/4 inch.
- The maximum dead load reaction with the deck removed (per bearing) at each abutment is 13.1 kN. The minimum Jack capacity at each abutment (per bearing) shall be 20.0 kN.
- The new bearing and steel extensions shall be in place and the jacks shall be lowered before the new concrete deck is poured.

Notes:  
 See sheet #21 of 21 for Anchor Bolt Installation.  
 All dimensions are in millimeters (mm) except as noted.  
 After beams have been erected, holes at expansion bearings shall be drilled and anchor bolts grouted into place.  
 Fabricated Steel Extension shall be paid for in accordance with Article 505 of the Standard Specifications and included in the cost for Furnishing and Erecting Structural Steel.



**BILL OF MATERIAL  
E.B. & W.B. STRUCTURES**

Item	Unit	Total
Elastomeric Bearing Assembly Type I	Each	10
Jack and Remove Existing Bearings	Each	10

BEARING DETAILS - WEST ABUTMENT			
Date	Designed JMC	ILLINOIS U.S. ROUTE 20 OVER RAILROAD	Sheet No.
Revisions	Drawn SRS	F.A.P. RTE. 301 SECTION 3 VBR	13
	Checked KWB	WINNEBAGO COUNTY	of 21
	Approved KWB	STRUCTURES NO. 101-0063 (EB) & 101-0064 (WB)	
Prepared by	WVP CORPORATION		WVP Job No. 07700
	Engineers - Architects - Planners		

LOCATION 2 STRUCTURES 101-0063 & 101-0064

D2 Bridge Painting 2008-3

FILE NAME = P:\PAINTING\64091\paint2008-3.dgn	USER NAME = 1mkdj	DESIGNED -	REVISED -
		DRAWN -	REVISED -
		CHECKED -	REVISED -
		DATE -	REVISED -

STATE OF ILLINOIS  
DEPARTMENT OF TRANSPORTATION

EXISTING BRIDGE PLANS

SCALE: SHEET NO. OF SHEETS STA. TO STA.

F.A.P. RTE.	SECTION	COUNTY	TOTAL SHEETS	SHEET NO.
301		WINNEBAGO	19	15
FED. ROAD DIST. NO. ILLINOIS FED. AID PROJECT			CONTRACT NO. 64D91	