

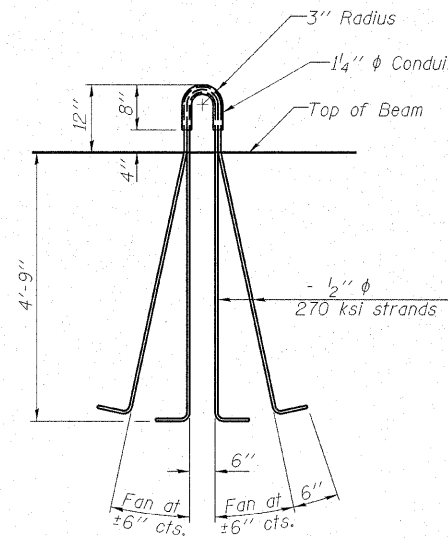
STATE OF ILLINOIS  
DEPARTMENT OF TRANSPORTATION

ROUTE NO.	SECTION	COUNTY	TOTAL SHEETS	SHEET NO.
FAU 2503	(35) BR-2	KENDALL	129	43
FED. ROAD DIST. NO. 7	ILLINOIS	FED. AID PROJECT		

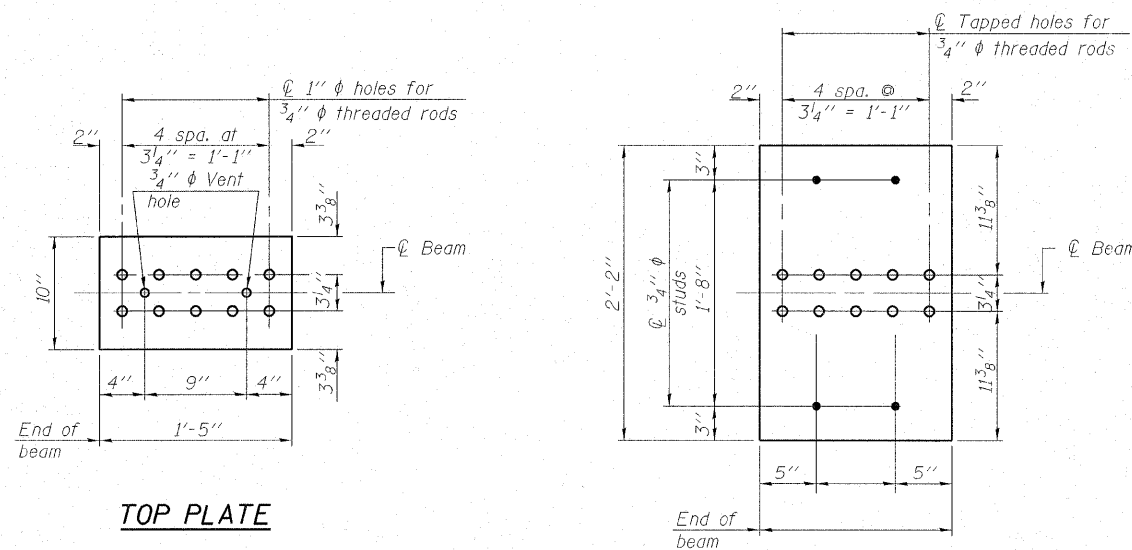
Contract No. 66399

**NOTES**

- Inserts for  $\frac{3}{4}$ "  $\phi$  threaded dowel rods, when specified, are to be two strut, coil type for interior beams and single coil, flared loop type for exterior beams.
- Prestressing steel shall be uncoated high strength, low relaxation 7-wire strand, Grade 270.
- The nominal diameter shall be  $\frac{1}{2}$ " and the nominal cross-sectional area shall be 0.153 sq. in.
- Non-prestressing steel shall conform to ASTM A 706 (IL MOD), Grade 60.
- A minimum  $2\frac{1}{2}$ "  $\phi$  lifting pin shall be used to engage the lifting loops during handling.
- Cut G<sub>6</sub> bars when necessary to maintain  $\frac{1}{2}$ " clearance.
- The top and bottom plates shall be AASHTO M270 Grade 50.
- The bottom plates and studs shall be galvanized according to AASHTO M111.
- Threaded rods shall be ASTM F 1554 Grade 55.



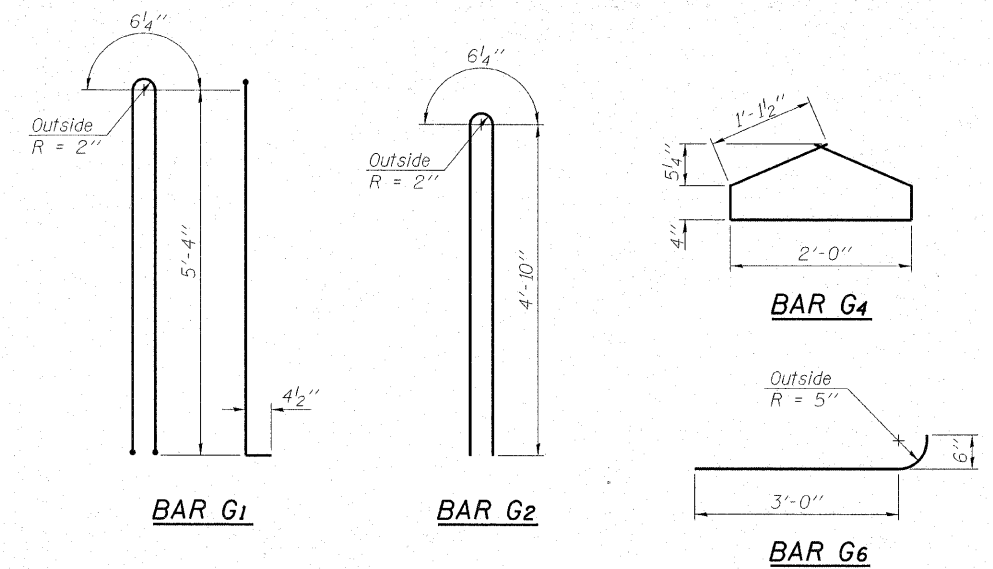
**LIFTING LOOP DETAIL**



**TOP PLATE**

**BOTTOM PLATE**

See bearing details for pinhole locations when required.



**BILL OF MATERIAL**

Item	Unit	Total
Furnishing and Erecting Precast Prestressed Concrete Bulb T-Beams, 63"	Ft.	835

**63" PPC BULB T-BEAM DETAILS**

**BEAM DETAILS**

IL 25 OVER WAUBONSEE CREEK  
F.A.U. ROUTE 2503 / SECTION (35) BR-2  
KENDALL COUNTY  
STATION 12+91.00  
STRUCTURE NO. 047-0062

**HAMPTON, LENZINI & RENWICK, INC.**  
CIVIL & STRUCTURAL ENGINEERS  
LAND SURVEYORS

3085 STEVENSON DRIVE, SUITE 201  
SPRINGFIELD, ILLINOIS 62703  
(217) 546-3400

ELGIN • SPRINGFIELD

PROJECT NUMBER: 12-06-0029-1 DATE: 01/14/08  
DESIGNED: P.S.L. CHECKED: M.D.C. DRAWN: D.A.B.