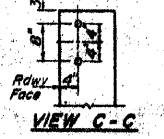
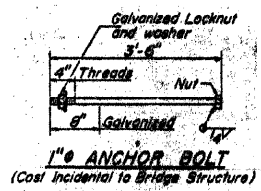
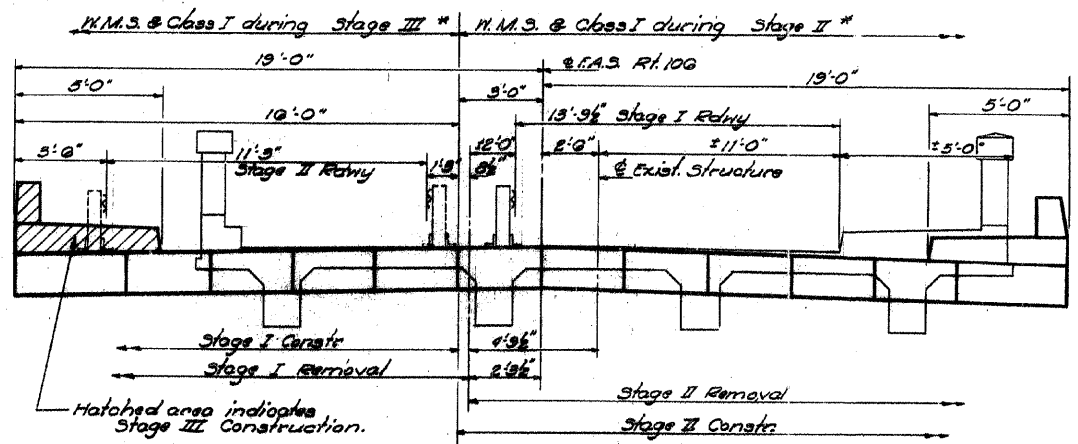
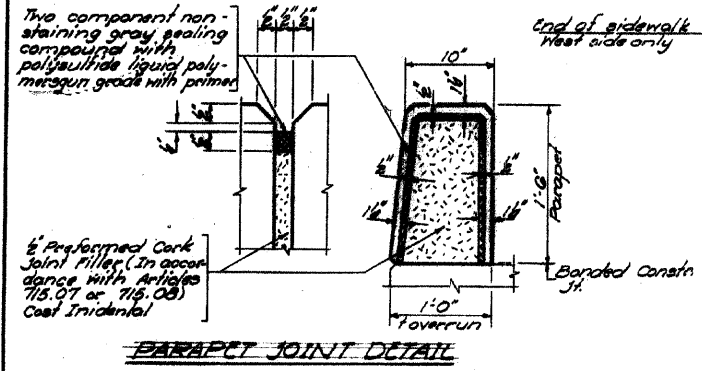
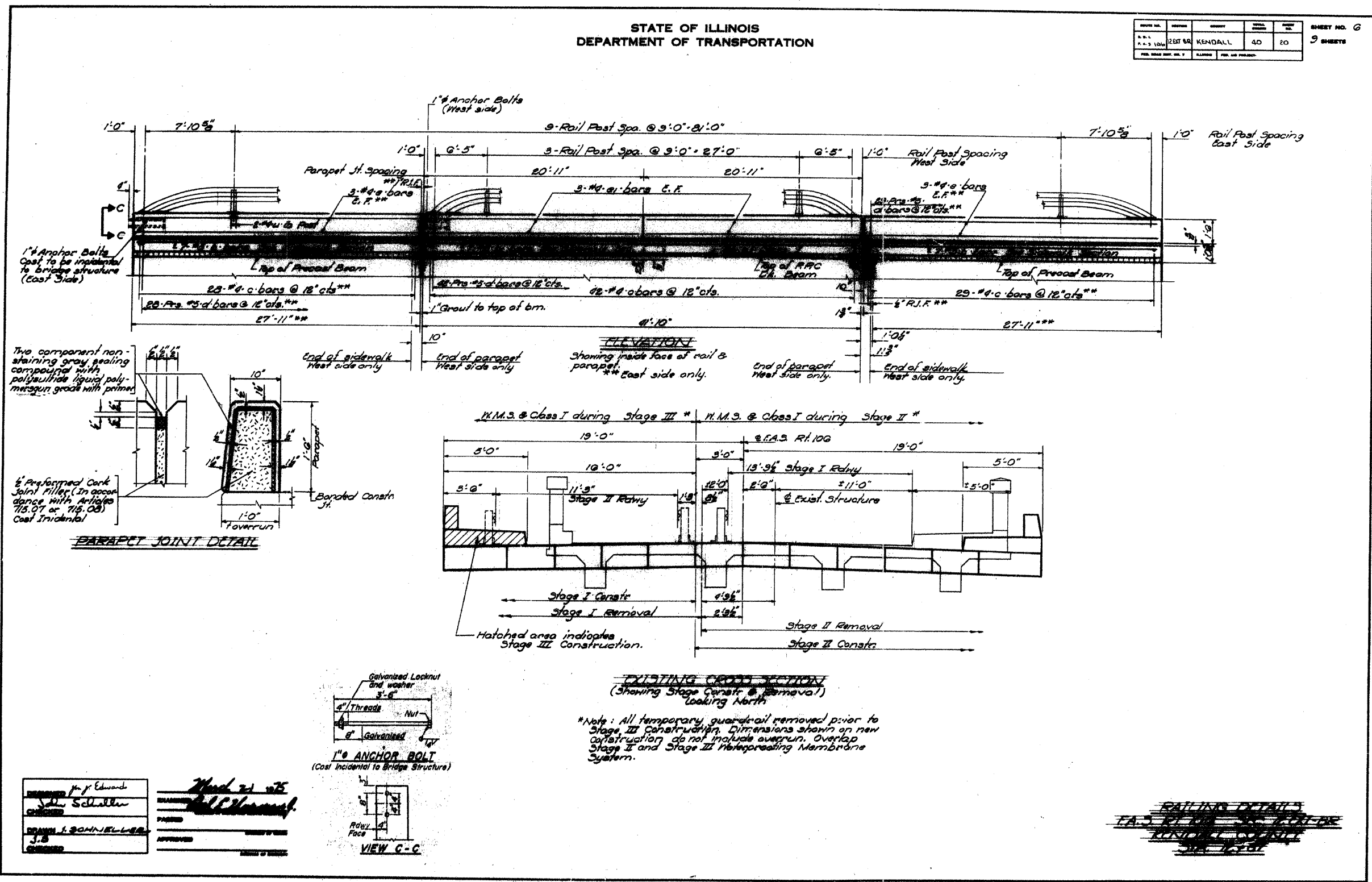


PROJECT NO.	SECTION	COUNTY	TOTAL SHEETS	SHEET NO.
FAU 2503	(35)BR-2	KENDALL	129	55
FED. ROAD DIST. NO.	5	T.M. PROJ.	FED. AID PROJECT	

STATE OF ILLINOIS  
DEPARTMENT OF TRANSPORTATION

DATE	BY	CHKD	APP'D	SHEET NO.
2/27/07	KENDALL	40	20	9 SHEETS



\*Note: All temporary guard-rail removed prior to Stage III construction. Dimensions shown on new construction do not include over-run. Overlap Stage II and Stage III Prestressing Membrane System.

DESIGNED: J. J. Edwards  
DRAWN: John Scheller  
CHECKED: J. J. Edwards  
DATE: March 21, 2005

**HAMPTON, LENZINI & RENWICK, INC.**  
CIVIL & STRUCTURAL ENGINEERS

3085 STEVENSON DRIVE, SUITE 201  
SPRINGFIELD, ILLINOIS 62703  
(217) 546-3400

ELGIN • SPRINGFIELD

PROJECT NUMBER: 13-06-0029-I      DATE: 12/13/07  
DESIGNED:      CHECKED:      DRAWN:

**EXISTING BRIDGE PLANS**  
SECTION (35) BR-2  
IL 25 OVER WAUBONSEE CREEK  
KENDALL COUNTY