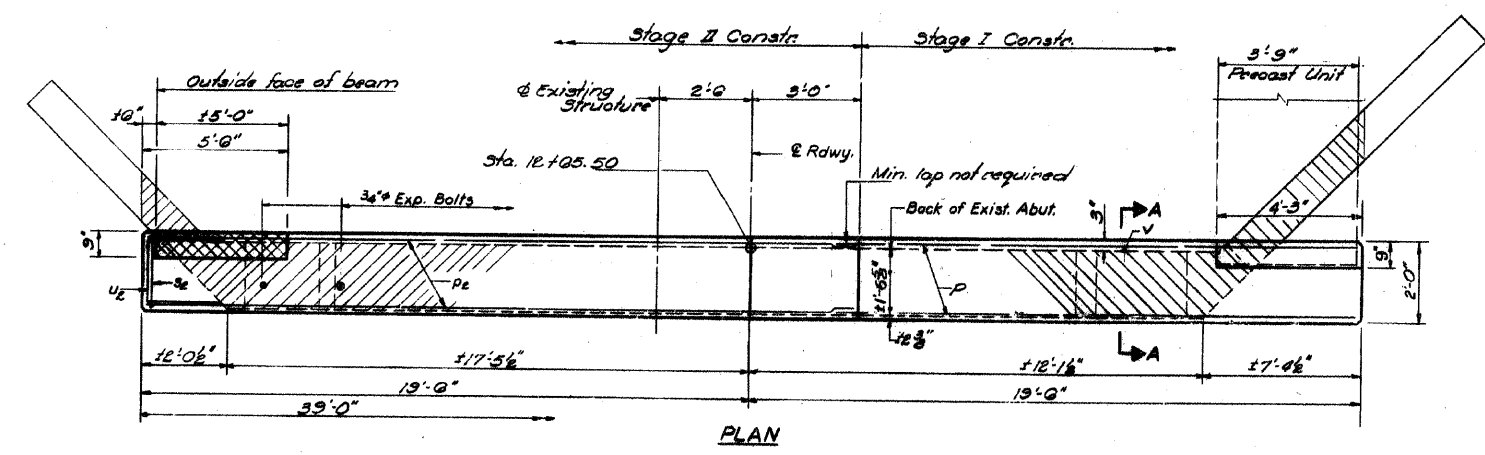
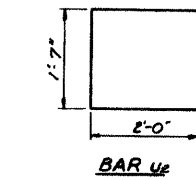
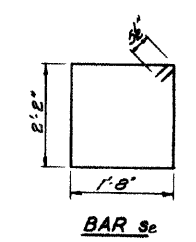
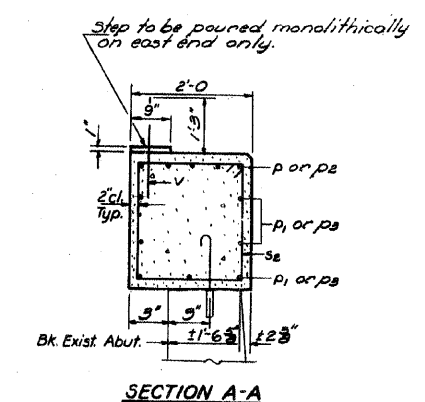
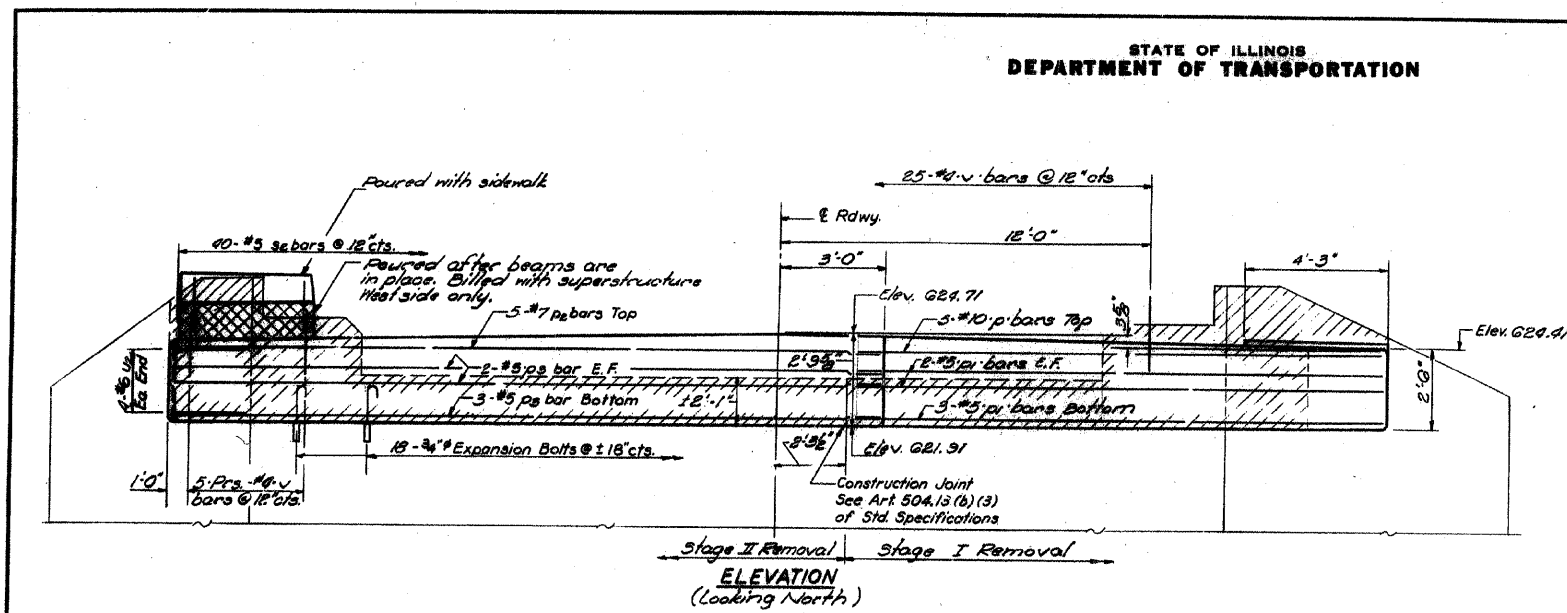


PROJECT NO.	SECTION	COUNTY	TOTAL SHEETS	SHEET NO.
FAU 2503	(35)BR-2	KENDALL	129	57
FED. ROAD DIST. NO.	ILL. ROAD DIST. NO.	FED. AID PROJECT		
5				

STATE OF ILLINOIS  
DEPARTMENT OF TRANSPORTATION

DRAWN BY	CHECKED BY	DATE	SHEET NO.
J.S.	J.S.	12/13/07	57



**BILL OF MATERIAL**

Bar No.	Size	Length	Shape
p	#10	17'-0"	
p1	#5	17'-0"	
p2	#7	22'-9"	
p3	#5	22'-9"	
p4	#7	22'-9"	
p5	#5	8'-7"	D
p6	#6	8'-7"	C
p7	#8	2'-9"	
p8	#8	2'-9"	
Class X Concrete		Cu Yds	7.7
Reinforcement Bars		Lbs	1870
Expansion Bolts 3/4"		Each	18
Concrete Removal		Cu Yds	5.5

DESIGNED: K. J. Edwards  
 EXAMINED: Mark J. Edwards  
 DRAWN: J.S.  
 CHECKED: J.S.

APPROVED: [Signature]  
 DIRECTOR OF HIGHWAYS

**NOTE**  
 Hatched area indicates Concrete Removal. Reinforcement extending into removed area shall be cleaned and incorporated into the new construction.  
 Expansion bolts shall be anchored in sound concrete.  
 All edges shall have standard 3/4" chamfers except as noted.  
 Exposed wingwall reinforcement shall be out flush and covered with mortar.

**NORTH ABUTMENT**  
 FA-5-11-10-25-30-PORT-22  
 KENDALL COUNTY  
 12-13-07

HAMPTON, LENZINI & RENWICK, INC.  
 CIVIL & STRUCTURAL ENGINEERS

3085 STEVENSON DRIVE, SUITE 201  
 SPRINGFIELD, ILLINOIS 62703  
 (217) 546-3400

ELGIN • SPRINGFIELD

PROJECT NUMBER: 12-06-0029-1 DATE: 12/13/07  
 DESIGNED: CHECKED: DRAWN:

EXISTING BRIDGE PLANS  
 SECTION (35) BR-2  
 IL 25 OVER WAUBONSEE CREEK  
 KENDALL COUNTY