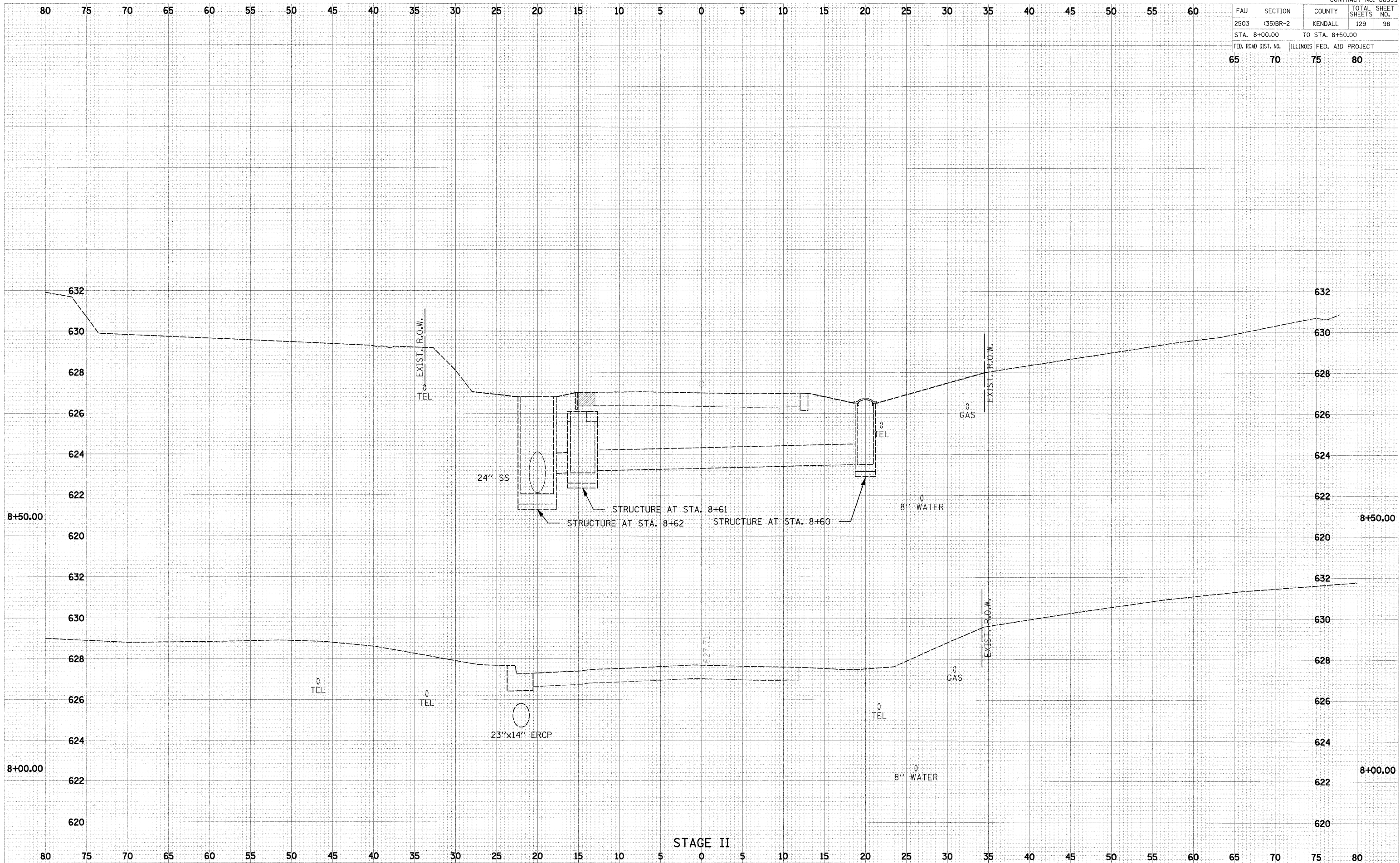


FAU	SECTION	COUNTY	TOTAL SHEETS	SHEET NO.
2503	(35)BR-2	KENDALL	129	98
STA. 8+00.00		TO STA. 8+50.00		
FED. ROAD DIST. NO.	ILLINOIS	FED. AID PROJECT		
65	70	75	80	



STAGE II

DATE
BY
CHECKED
DESIGNED
PLANNED
NOTED
AREAS CHECKED

DATE
BY
CHECKED
DESIGNED
PLANNED
NOTED
AREAS CHECKED

PLOT DATE = 1/31/2006
PLOT SCALE = 1" = 20.00'
USER NAME = KUSERS