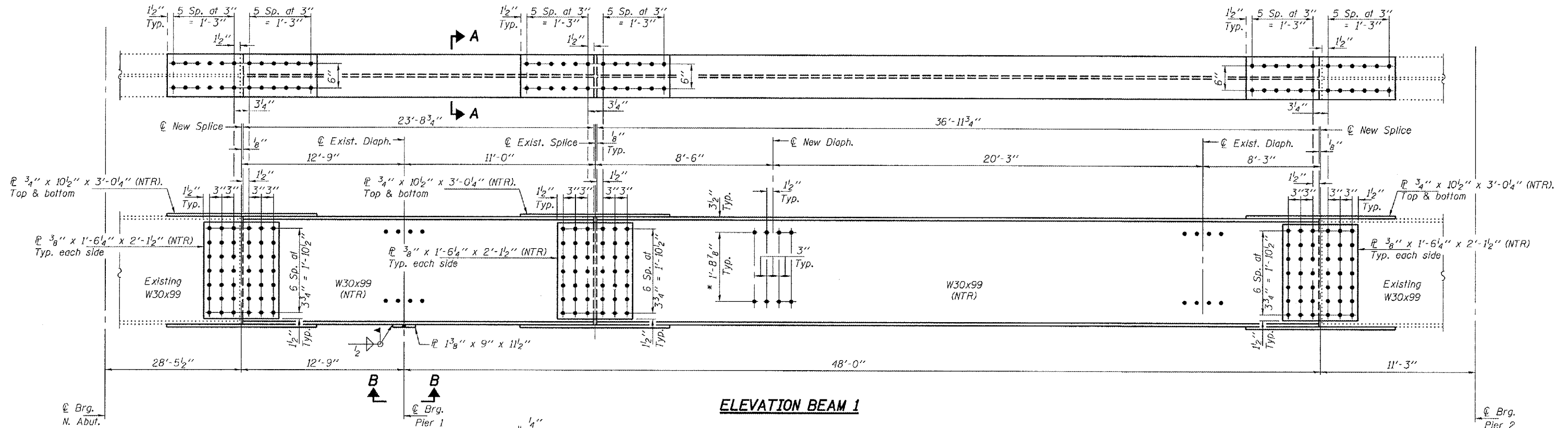


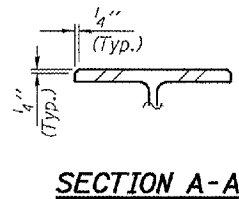
STATE OF ILLINOIS  
DEPARTMENT OF TRANSPORTATION

ROUTE NO.	SECTION	COUNTY	SHEETS	SHEET	SHEET NO. 3 3 SHEETS
FAI 80		LA SALLE	11	11	
FED. ROAD DIST. NO. 7	ILL. ROAD	FED. AID PROJECT			

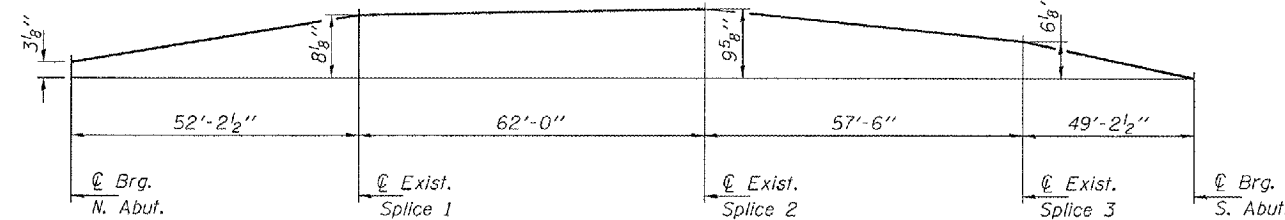
Contract Number: 66758



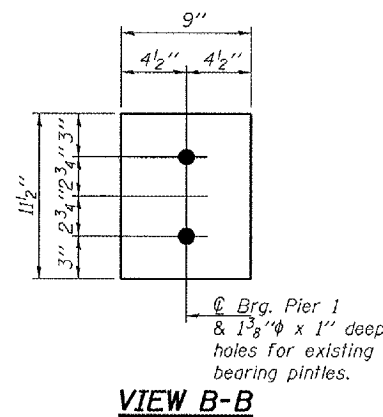
**ELEVATION BEAM 1**



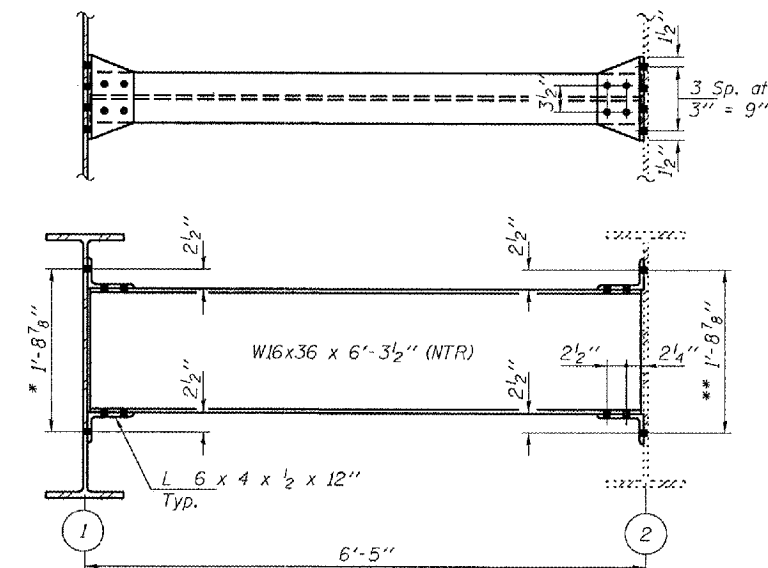
**SECTION A-A**



**EXISTING BLOCKING DIAGRAM  
FOR DRILLING OF SPLICES**  
(For information only)



**VIEW B-B**



**DIAPHRAGM REPLACEMENT DETAIL**

Notes:

Natural camber of new beam shall be placed upward for fabrication.  
Diaphragm connection holes shall be 15/16 inch diameter for 3/4 inch diameter bolts. Two hardened washers shall be required at diaphragm connections.

\* Field drill holes in new beam using holes in new and existing angles as a template.  
\*\* Field drill holes in angles using holes in web as a template.

DESIGNED	AJB
CHECKED	ATH
DRAWN	ballva
CHECKED	AJB ATH

MARCH 3, 2008  
EXAMINED *Carl Prosky*  
ENGINEER OF STRUCTURAL SERVICES  
PASSED *Ralph E. Anderson*  
ENGINEER OF BRIDGES AND STRUCTURES

**REPLACEMENT DETAILS**  
**SA RD 9-D over FAI 80**  
**LA SALLE COUNTY**  
**SN 050-0081**