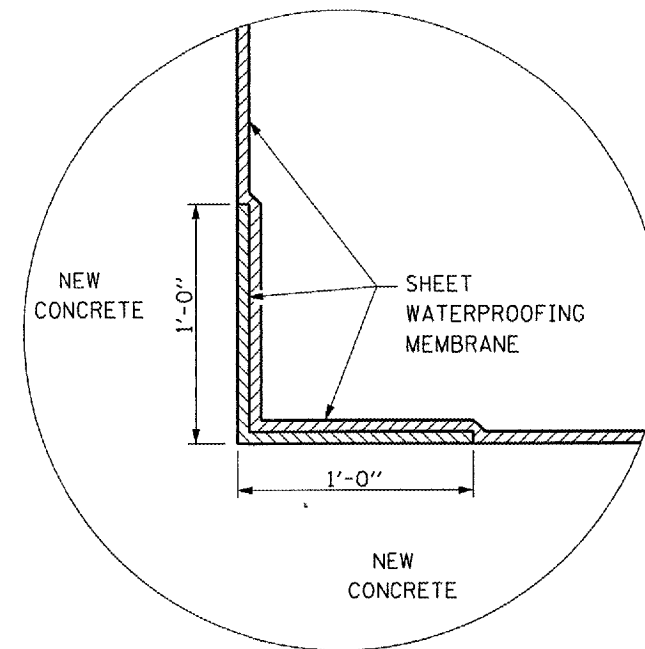
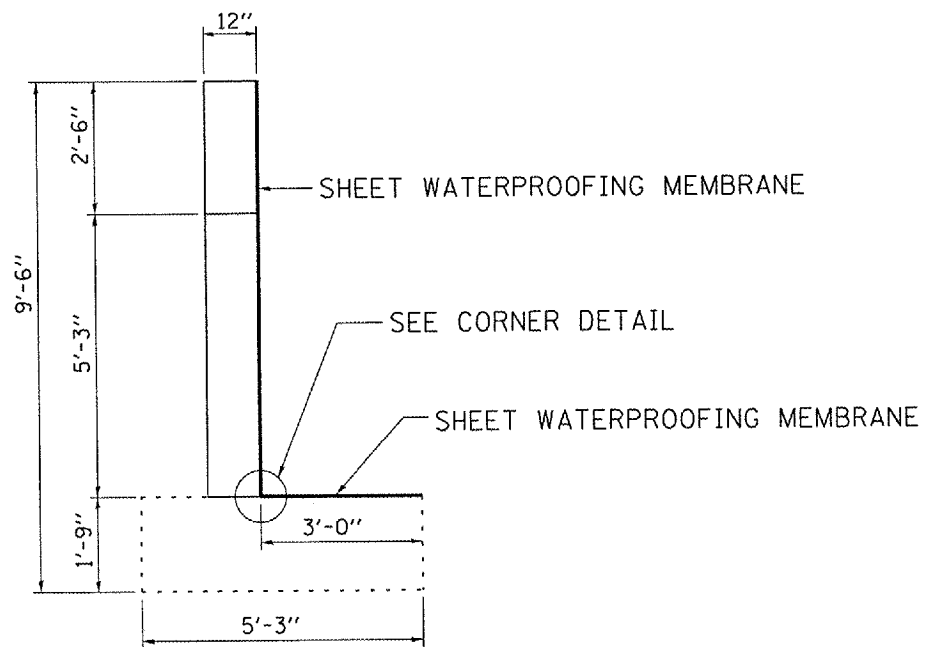


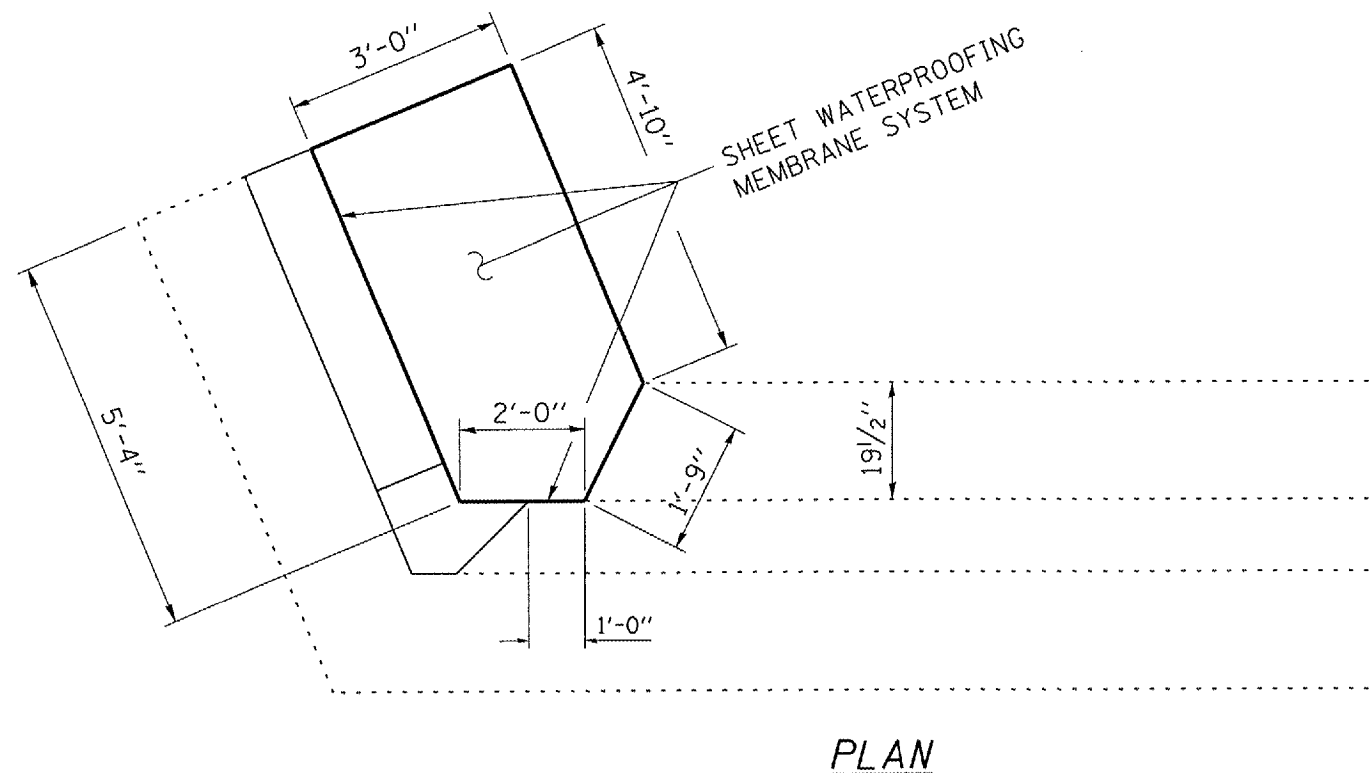
WING ELEVATION



CORNER DETAIL



END SECTION



PLAN

BILL OF MATERIAL

Sheet Waterproofing Membrane System	Sq. Yd.	12
-------------------------------------	---------	----

F.A.P. ROUTE 796 (IL 115)
SECTION (104-B)I
KANKAKEE COUNTY
STA. 986+00
S.N. 046-0066

FILE NAME =	USER NAME = vavingerjr	DESIGNED -	REVISED -
c:\projects\mohd07\0460066\0450066.dgn		DRAWN -	REVISED -
		CHECKED -	REVISED -
		DATE -	REVISED -

STATE OF ILLINOIS
DEPARTMENT OF TRANSPORTATION

WATERPROOFING DETAILS

SCALE: SHEET NO. 5 OF 7 SHEETS STA. TO STA.

F.A.P. RTE. 796	SECTION (104B)I	COUNTY KANKAKEE	TOTAL SHEETS 12	SHEET NO. 10
FED. ROAD DIST. NO.		ILLINOIS FED. AID PROJECT		

CONTRACT NO. 66759