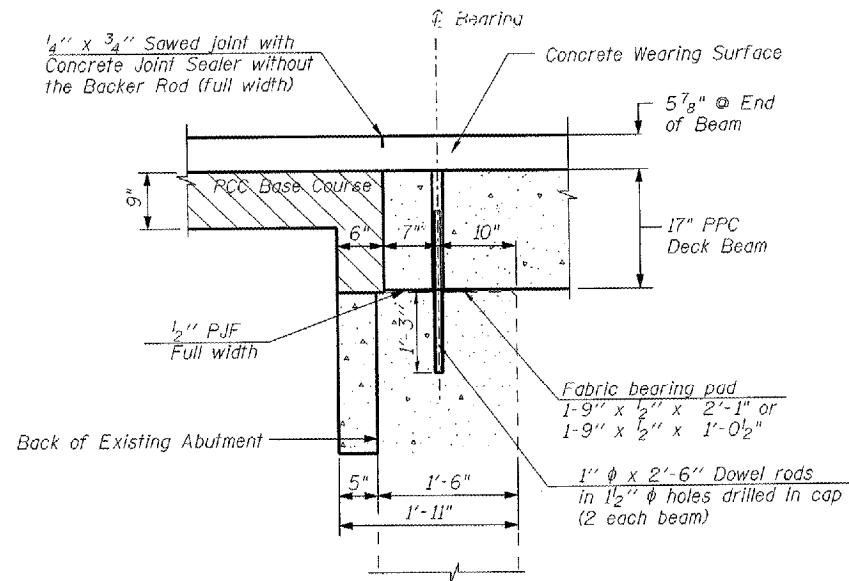
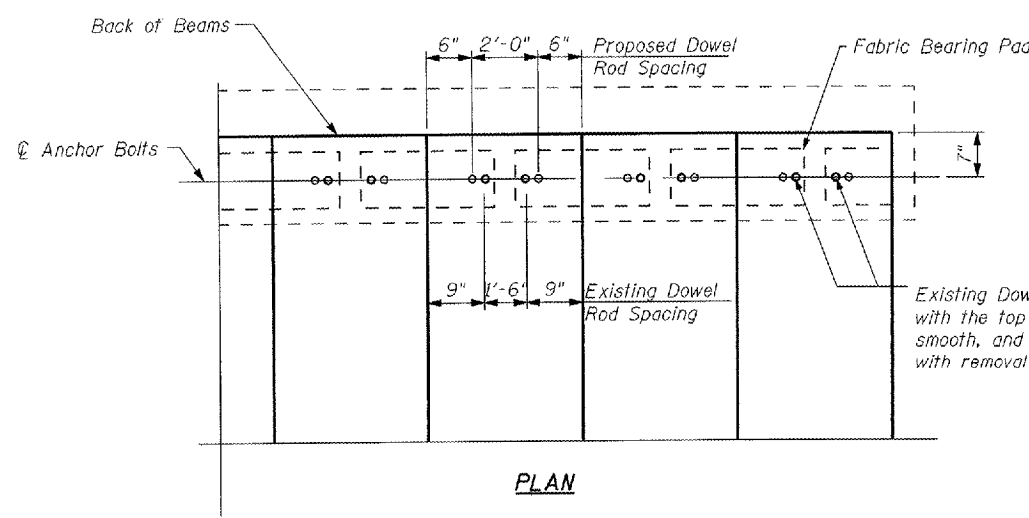


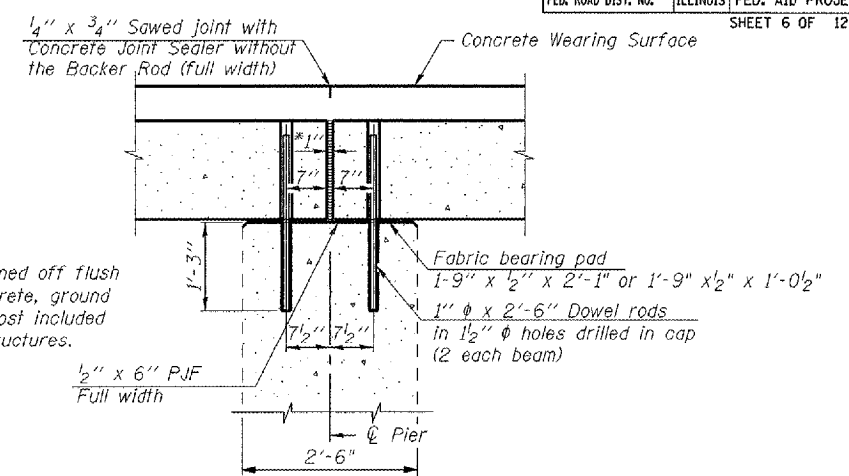
F.A.P. RTE.	SECTION	COUNTY	TOTAL SHEETS	SHEET NO.
310	(39B)I	McDONOUGH	38	15
STA.	TO STA.			
FED. ROAD DIST. NO.	ILLINOIS	FED. AID PROJECT		
		SHEET 6 OF 12 SHEETS		



SECTION THRU ABUTMENTS



DOWEL ROD SPACING



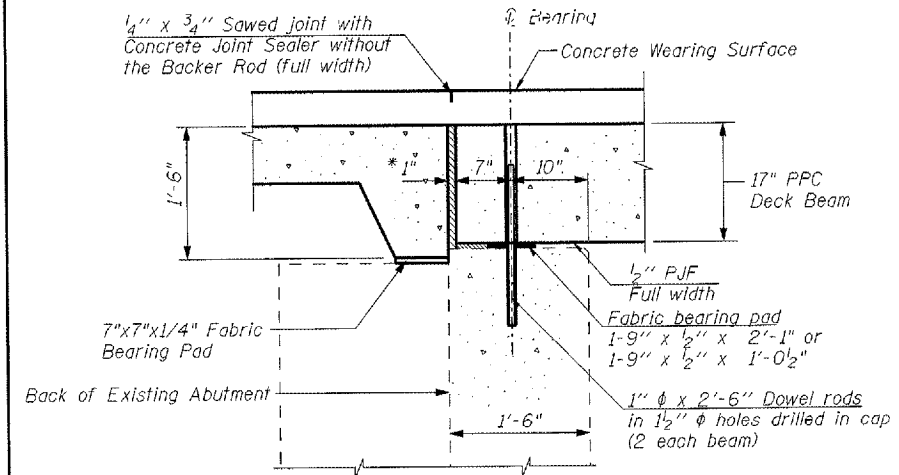
SECTION THRU EXISTING PIER

Existing Dowel Rods shall be burned off flush with the top of the existing concrete, ground smooth, and sealed with epoxy. Cost included with removal of Existing Superstructures.

*1\"/>

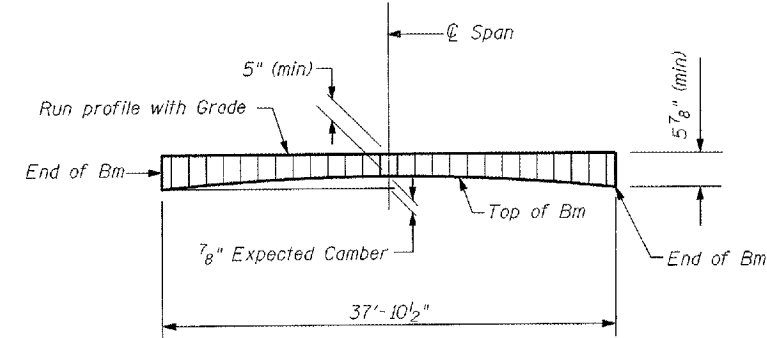
Notes:
 After beams have been erected, holes shall be drilled into substructure and zinc coated anchor dowels placed. Dowel holes shall be filled with non-shrink grout to top of beam and allowed to cure min. 24 hrs. prior to grouting the shear keys.
 All horizontal dimensions are at right angles to beam ends.

See sheet 4 of 12 for bearing pad details.

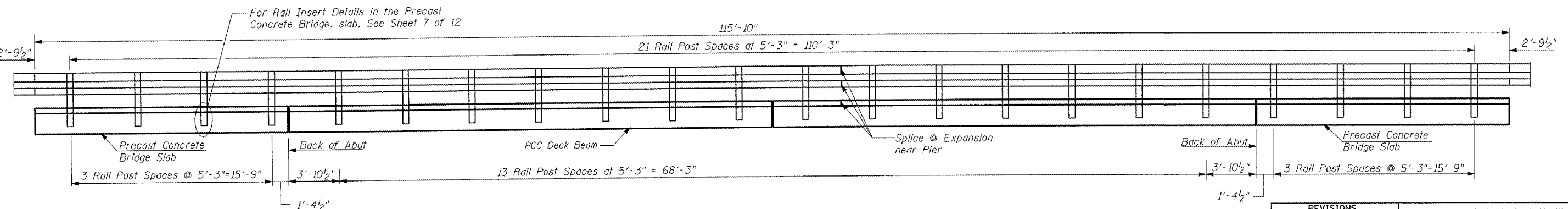


SECTION THRU ABUTMENTS

At outside beams



CAMBER DIAGRAM



REVISIONS	
NAME	DATE

ILLINOIS DEPARTMENT OF TRANSPORTATION
SUPERSTRUCTURE DETAILS
 US 67 OVER TROUBLESOME CREEK
 FAP 310 SECTION (39B)I
 McDONOUGH COUNTY STR. 055-0005
 SCALE: N.T.S. DRAWN BY: LP
 DATE: DEC 2007 CHECKED BY: MJS

THE IPCHEIRCH GROUP INC.
 3875 N. W. 10th St., Suite 100, Ft. Lauderdale, FL 33309
 TEL: 954-343-8888 FAX: 954-343-8889
 WWW.IPCHEIRCH.COM
 FILE NAME: F:\PROJECTS\2007\055-0005\055-0005-0006\055-0005-0006-0006.dwg