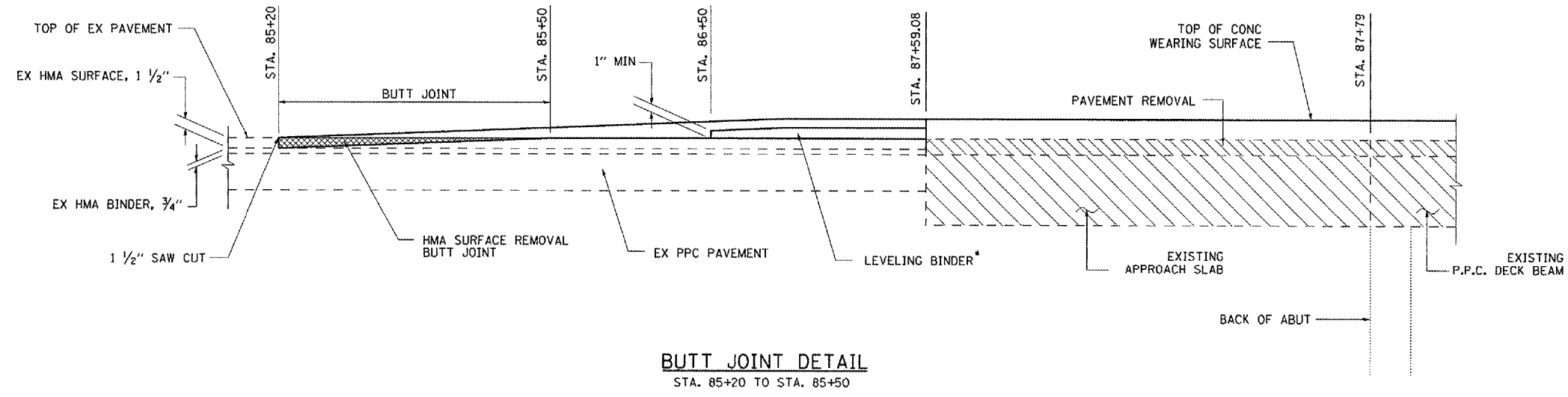
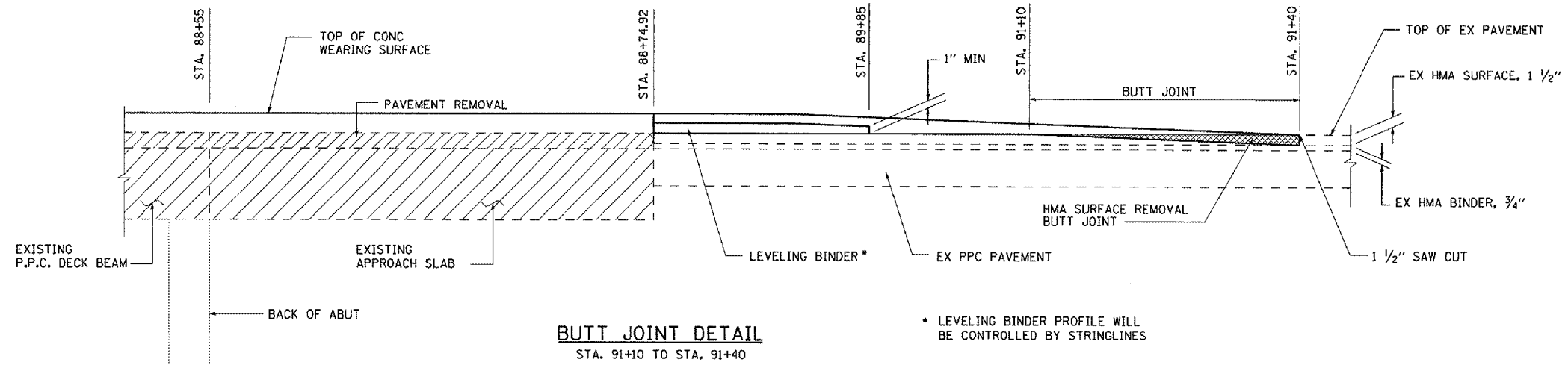


F.A.P. RTE.	SECTION	COUNTY	TOTAL SHEETS	SHEET NO.
310	(39B)I	McDONOUGH	38	22
STA.		TO STA.		
FED. ROAD DIST. NO.		ILLINOIS	FED. AID PROJECT	

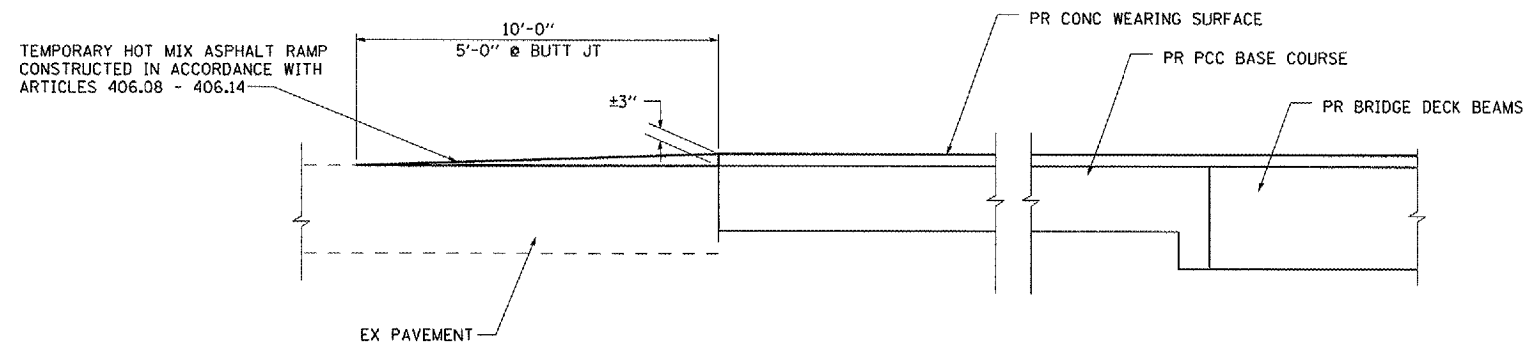


BUTT JOINT DETAIL
STA. 85+20 TO STA. 85+50



BUTT JOINT DETAIL
STA. 91+10 TO STA. 91+40

• LEVELING BINDER PROFILE WILL BE CONTROLLED BY STRINGLINES



TEMPORARY RAMP DETAIL

- STA. 85+20 TO STA. 85+25
- STA. 87+49 TO STA. 87+59
- STA. 88+75 TO STA. 88+85
- STA. 91+35 TO STA. 91+40

REVISIONS	
NAME	DATE

ILLINOIS DEPARTMENT OF TRANSPORTATION

ROADWAY DETAILS
US 67 OVER TROUBLESOME CREEK
FAP 310 SECTION (39B)I
McDONOUGH COUNTY

SCALE: VERT. NTS
HORIZ. DRAWN BY AGG
DATE DEC 2007 CHECKED BY MJS

T:\PROJECTS\01 017815\01 1845\08.dwg
 PLOT DATE = 1/22/2008
 FILE NAME = P:\1007\Distric\AT\table\some Creek\CAD\Upchurch working files\BJ.dwg