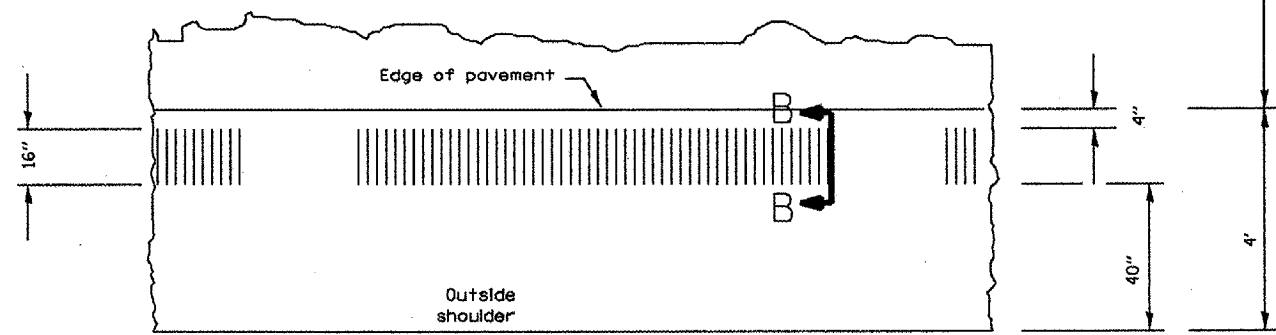
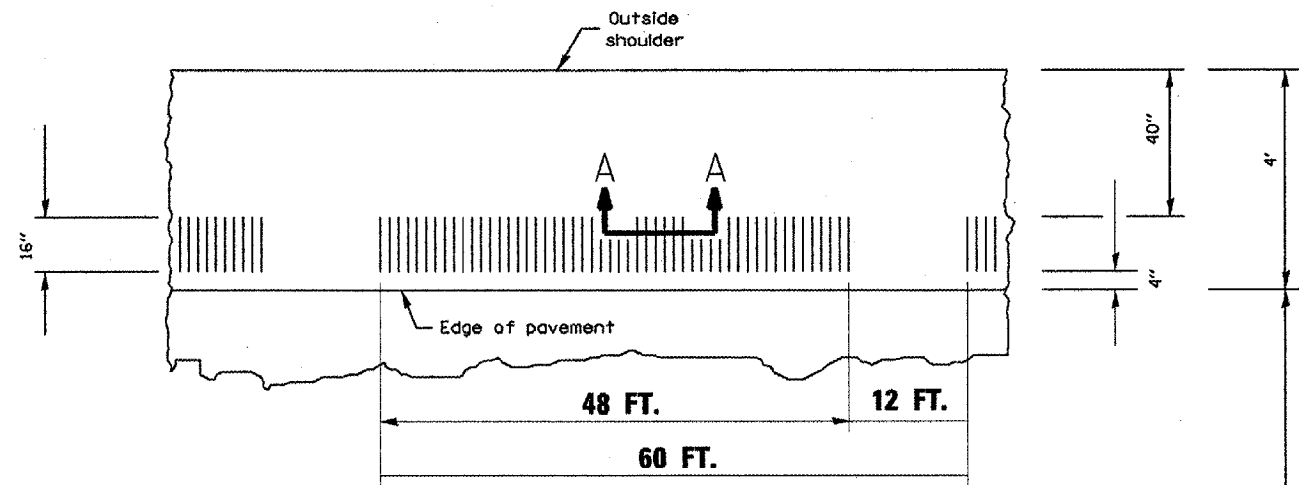
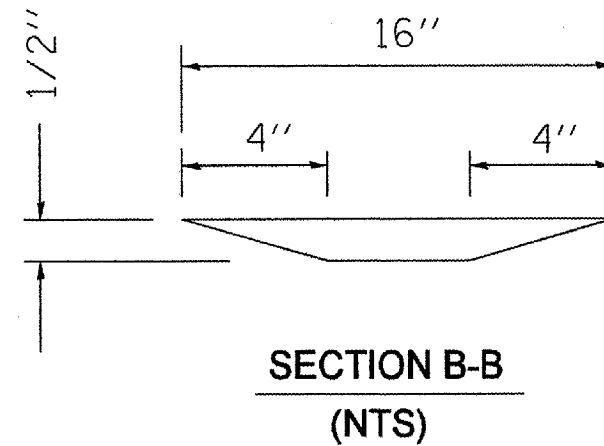
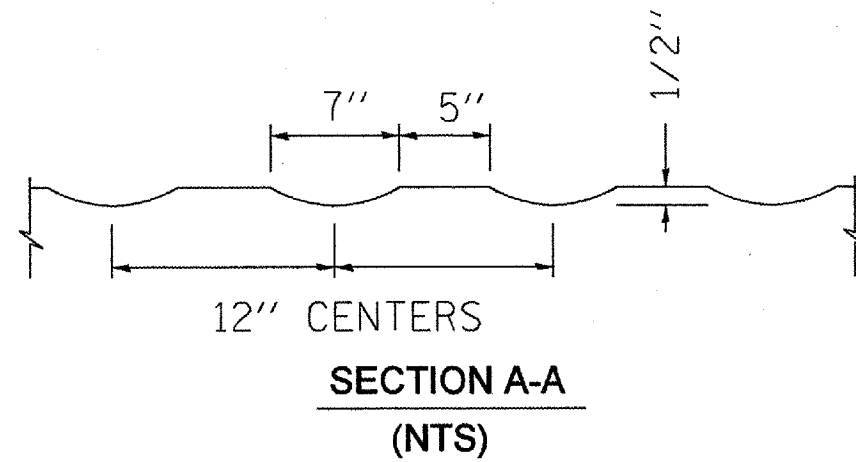


F.A.P. RTE.	SECTION	COUNTY	TOTAL SHEETS	SHEET NO.
698	1271	WOODFORD	7	7
STA.		TO STA.		
FED. ROAD DIST. NO.		ILLINOIS FED. AID PROJECT		



PLAN
INTERMITTENT RUMBLE STRIP
(NTS)



DT DATE = 1/31/2008
 C:\WORK\ST108\PLUS\68770\68770.dgn
 DT SCALE = 1/8" = 1' IN.
 DES NAME = boqerou

REVISIONS	
NAME	DATE

ILLINOIS DEPARTMENT OF TRANSPORTATION

INTERMITTENT RUMBLE STRIP

SCALE: VERT. DATE

DRAWN BY CHECKED BY