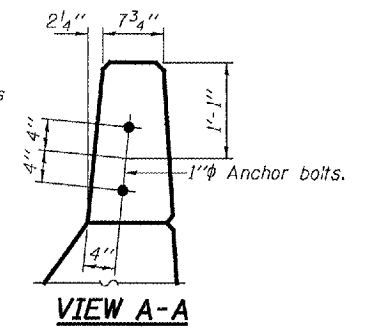
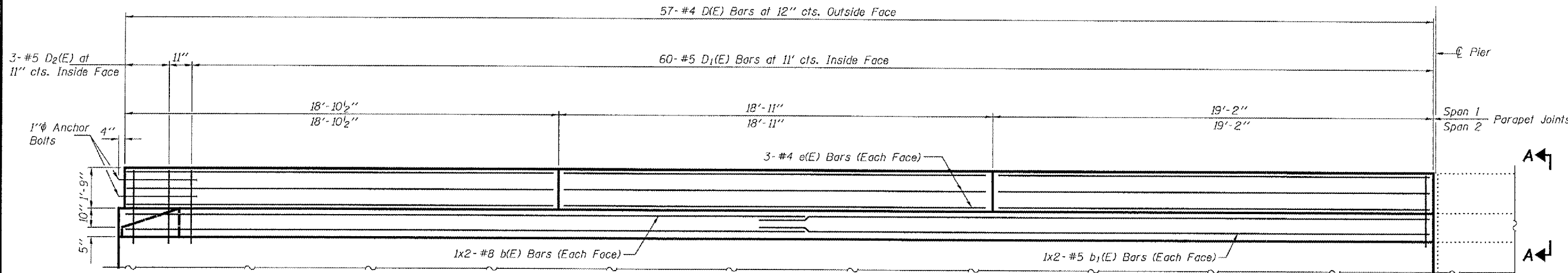


STATE OF ILLINOIS
DEPARTMENT OF TRANSPORTATION

ROUTE NO.	SECTION	COUNTY	TOTAL SHEETS	SHEET NO.	SHEET NO. 5 5 SHEETS
657		Henderson	14	14	
FED. ROAD DIST. NO. 7	ILLINOIS	FED. AID PROJECT			

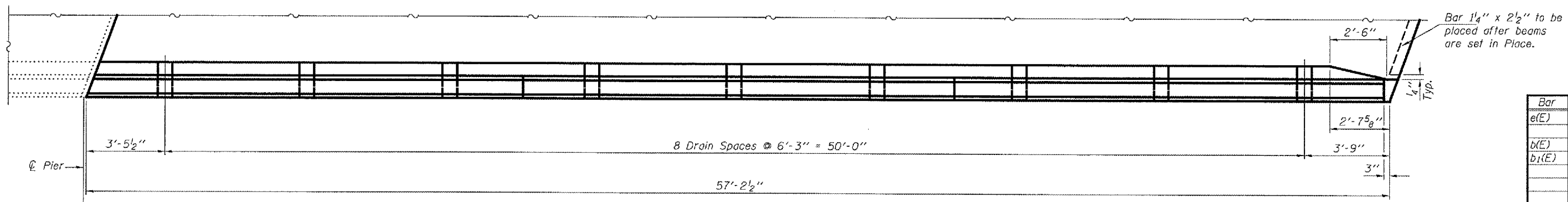
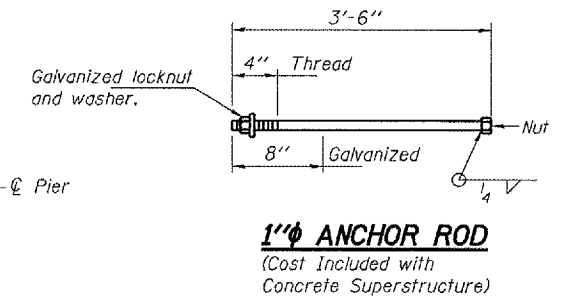
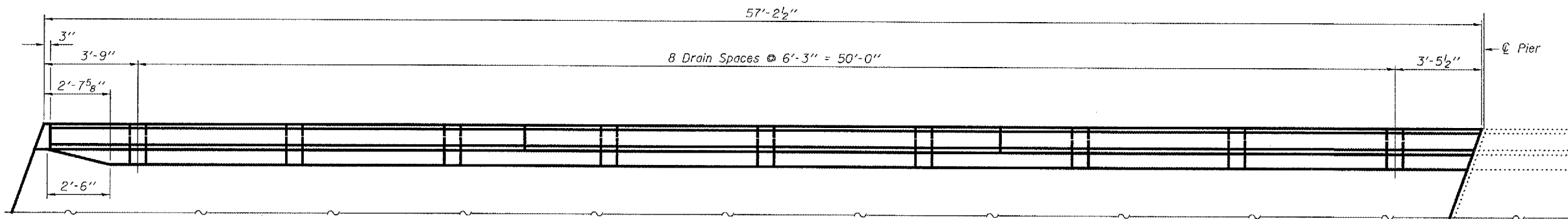
Contract Number: 68774



PARAPET ELEVATION

Minimum Bar Laps

#5 Bar = 2'-2"
#8 Bar = 4'-6"

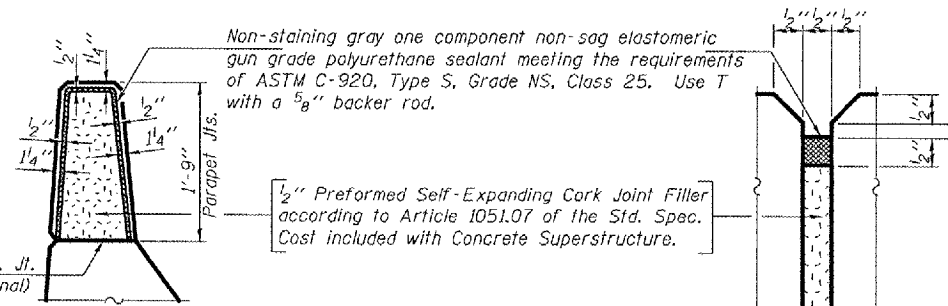


Bar 1 1/4" x 2 1/2" to be placed after beams are set in place.

BILL OF MATERIAL

Bar	No.	Size	Length	Shape	
e(E)	36	#4	18'-7"	—	
b(E)	8	#8	30'-9"	—	
b ₁ (E)	8	#5	29'-7"	—	
Reinforcement Bars, Epoxy Coated				Pound	1350
Concrete Superstructure				Cu. Yds.	13.0

Bars indicated thus 1 x 2-#5 etc. indicates 1 lines of bars with 2 lengths per line.



PARAPET JOINT DETAILS

DESIGNED	ATH
CHECKED	AJB
DRAWN	Steffen
CHECKED	ATH AJB

FEBRUARY 26, 2008
EXAMINED *Carl P. ...*
PASSED *Ralph E. Anderson*
ENGINEER OF BRIDGES AND STRUCTURES

REPAIR DETAILS
FA RT. 657
HENDERSON COUNTY
SN 036-0038