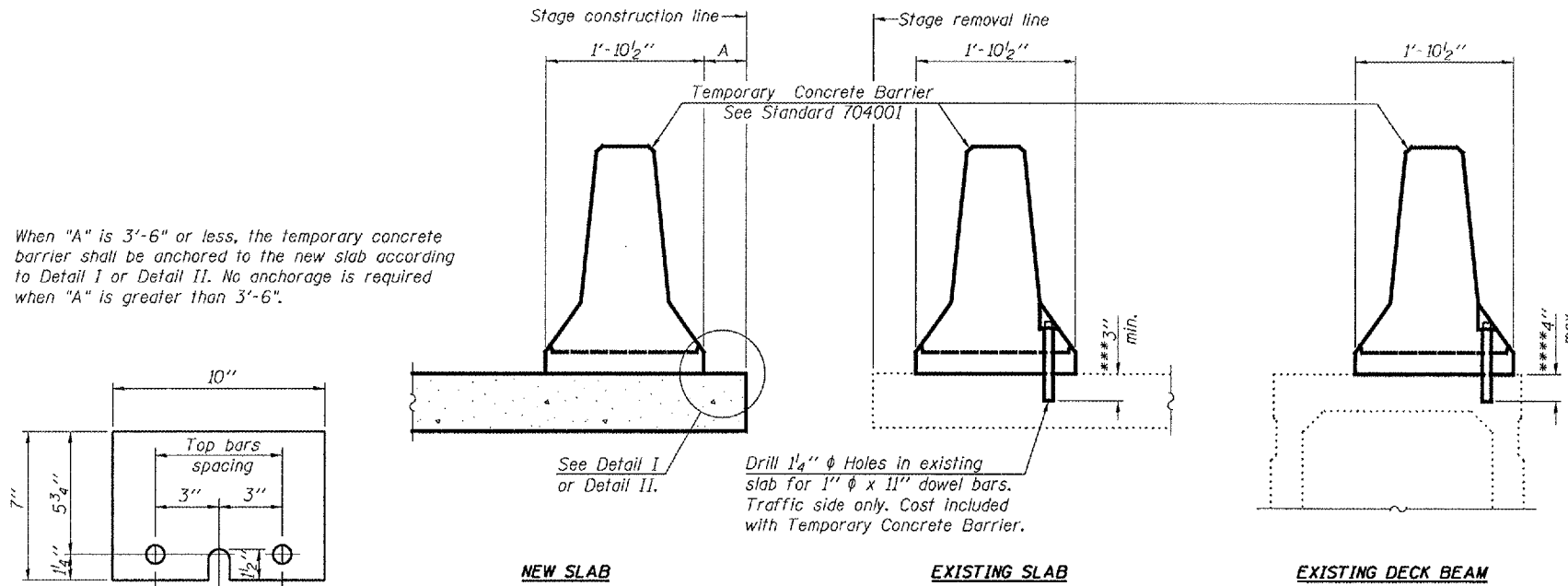


STATE OF ILLINOIS  
DEPARTMENT OF TRANSPORTATION

ROUTE NO.	SECTION	COUNTY	SHEET	SHEET	SHEET NO. 4 4 SHEETS
		Knox	13	13	
FED. ROAD DIST. NO. 7		ILLINOIS	FED. AID PROJECT		

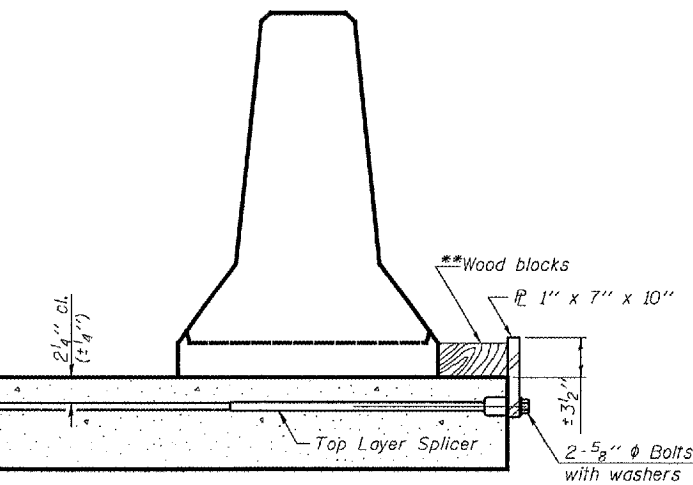
Contract Number: 68780



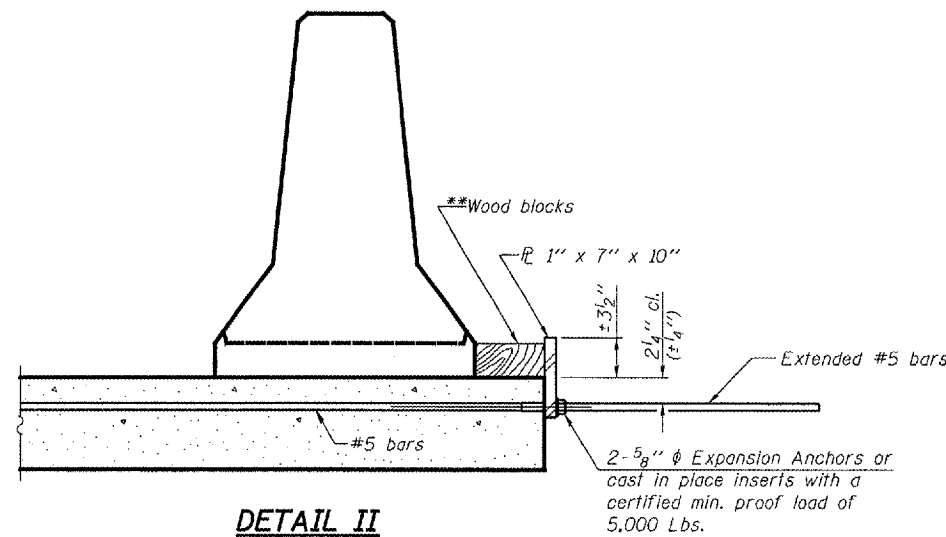
SECTIONS THRU SLAB OR DECK BEAM

STEEL RETAINER PL 1" x 7" x 10"

\* Required only with Detail II



DETAIL I

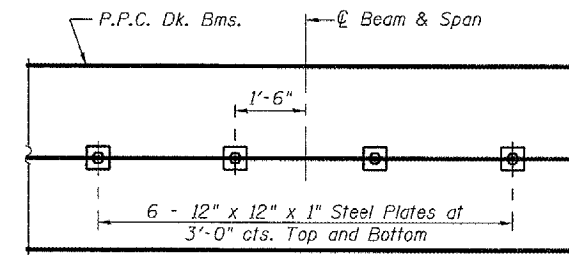


DETAIL II

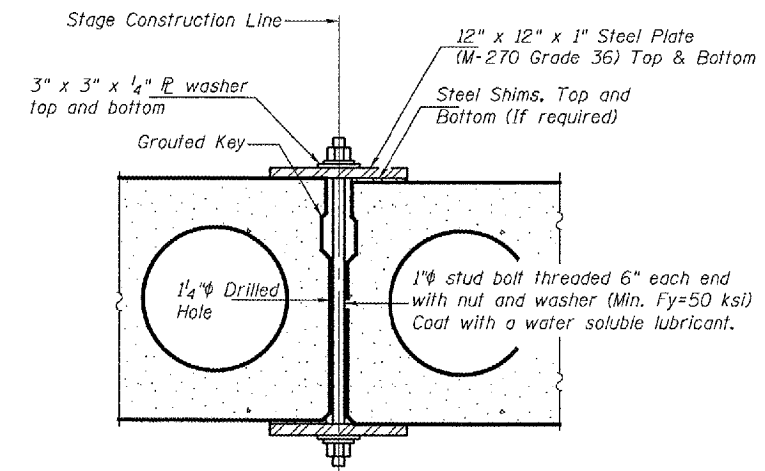
\*\*Wood blocks may be omitted when required to provide minimum stage traffic lane width. When the wood blocks are omitted, the concrete barrier shall be in direct contact with the steel retainer plate.

NOTES

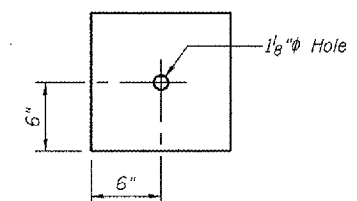
- \*\*\*\*Dimension shown is minimum required embedment into concrete. If hot-mix asphalt wearing surface is present, minimum embedment shall be in addition to wearing surface depth.
- \*\*\*\*If existing deck beam is to remain in place after stage construction, embedment shall only be into wearing surface and not into existing deck beam concrete.
- Detail I - With Bar Splicer or Couplers: Connect one (1) 1"x7"x10" steel PL to the top layer of couplers with 2-5/8" phi bolts screwed to coupler at approximate C of each barrier panel.
- Detail II - With Extended Reinforcement Bars: Connect one (1) 1"x7"x10" steel PL to the concrete slab or concrete wearing surface with 2-5/8" phi Expansion Anchors or cast in place inserts spaced between the top layer of reinforcement at approximate C of each barrier panel.
- Cost of anchorage is included with Temporary Concrete Barrier. The 1" x 7" x 10" plate shall not be removed until stage II construction forms and all reinforcement bars are in place and the concrete is ready to be placed.



PLAN



SECTION



CLAMPING PLATE

Notes:  
See Special Provisions for Stage Construction Precast Prestressed Concrete Deck Beams.  
See Stage Construction Detail for traffic lane.  
Cost is included with Precast Prestressed Concrete Deck Beams.

STAGE DETAILS  
S.B.I. ROUTE 8  
KNOX COUNTY  
SN 048-0013

DESIGNED	A.T.H.
CHECKED	A.J.B.
DRAWN	Drew Christopher
CHECKED	A.T.H. A.J.B.

EXAMINED	February 26, 2008
PASSED	Ralph E. Anderson