

STATE OF ILLINOIS
DEPARTMENT OF TRANSPORTATION

ROUTE NO.	SECTION	COUNTY	SHEET NO.	SHEET NO.
FAP 317		Fulton	12	9
FED. ROAD DIST. NO. 7	ILLINOIS	FED. AID PROJECT-		

Contract Number: 68782

GENERAL NOTES

The contractor is advised that the existing PPC Deck Beams are in a deteriorated condition with reduced load carrying capacity. It is the contractor's responsibility to account for the condition of the beams when developing construction procedures.

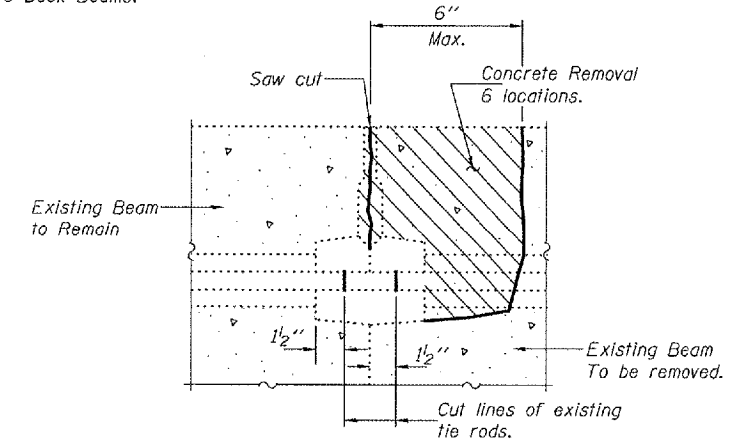
If the contractor's procedure for existing beam removal or placement of new beams involves placement of cranes or other heavy equipment on the bridge, a detailed procedure shall be submitted to the Engineer for approval. The procedure shall include calculations, prepared and sealed by an Illinois Licensed Structural Engineer, verifying that the equipment and procedure used will not overstress the new or existing beams. To distribute load to multiple beams and protect the existing surface, in all cases a double layer mat of heavy timbers shall be used at all times under crane tracks or wheels and any outriggers in the down position. If necessary, shims shall be used under the crane mat to ensure uniform contact with the underlying beams. If heavy equipment will be placed on new PPC deck beams, the following shall be done prior to placement of the timber mats: placement and tightening of transverse tie assemblies, grouting and curing the dowel rods 24 hours minimum and grouting and curing the shear keys.

The top surface of the beams shall be finished according to the IDOT Manual for Fabrication of Precast Prestressed Concrete Products.

Plan dimensions and details relative to existing plans are subject to routine variations. The Contractor shall field verify existing dimensions and details affecting new construction and make necessary approved adjustments prior to construction or ordering of materials. Such variations shall not be cause for additional compensation for a change in scope of the work, however, the Contractor will be paid for the quantity actually furnished based upon the unit price bid for the work.

Temporary concrete barrier shall only be anchored into the overlay and not into the PPC Deck Beams.

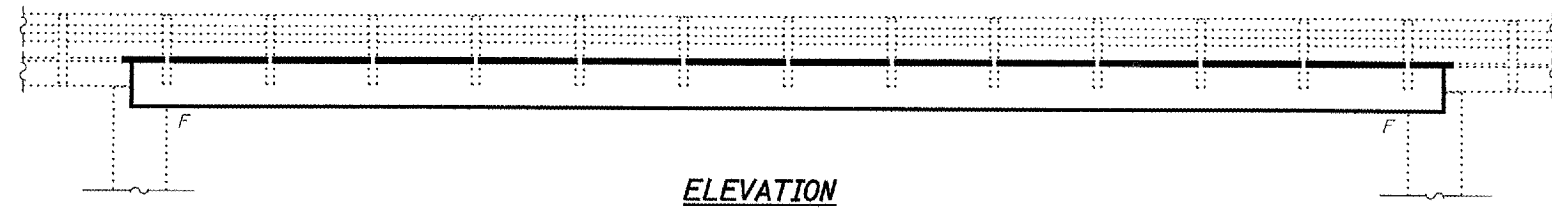
Any damage done to the bridge during beam removal shall be repaired by the Contractor. Cost to be included in the cost of Removal of Existing PPC Deck Beams.



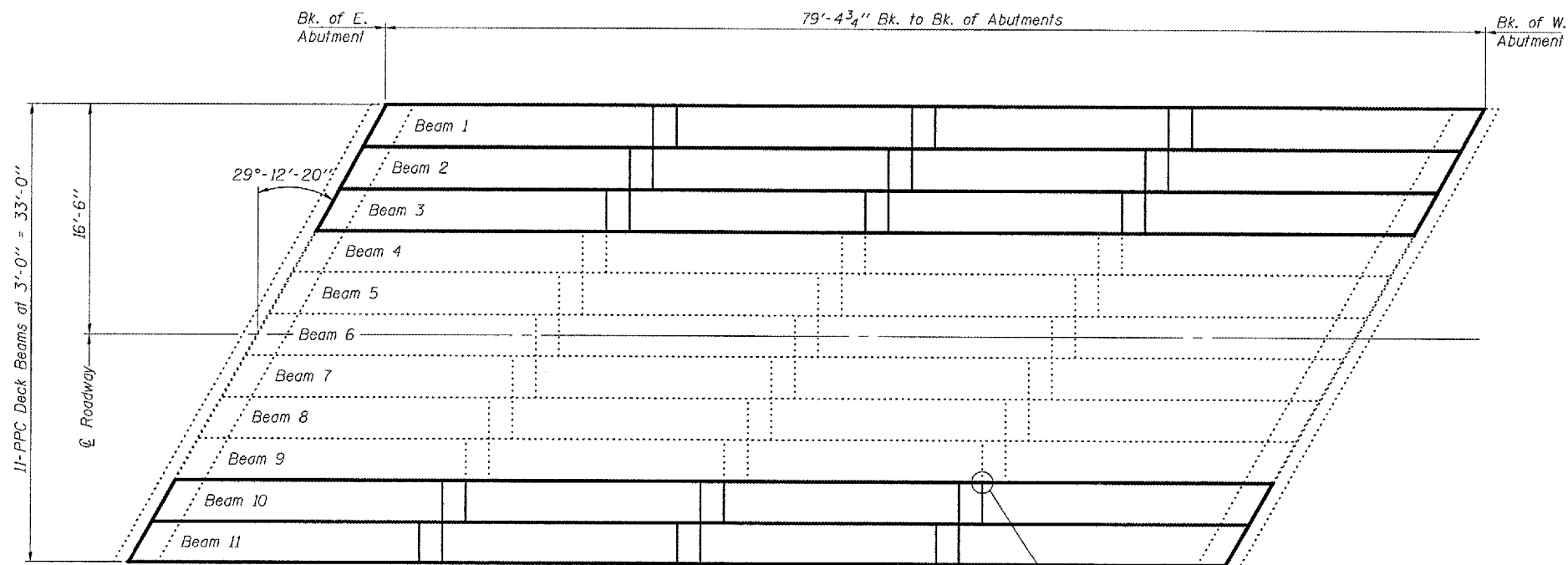
**BEAM REMOVAL DETAIL
AT TRANSVERSE TIES**

TOTAL BILL OF MATERIAL

ITEM	UNIT	QUANTITY
Removal of Existing PPC Deck Beams	Sq. Ft.	1188
Precast Prestressed Concrete Deck Beams (33" Depth)	Sq. Ft.	1188
Hot-Mix Asphalt Surface Removal	Sq. Yd.	10.8
HMA Surface Course Mix "D" N50	Tons	21.7
PC Mortar Fairing Course	Foot	396
Waterproofing Membrane System	Sq. Yd.	143
Removing and Re-erecting Existing Railing	Foot	159
	--	--



ELEVATION

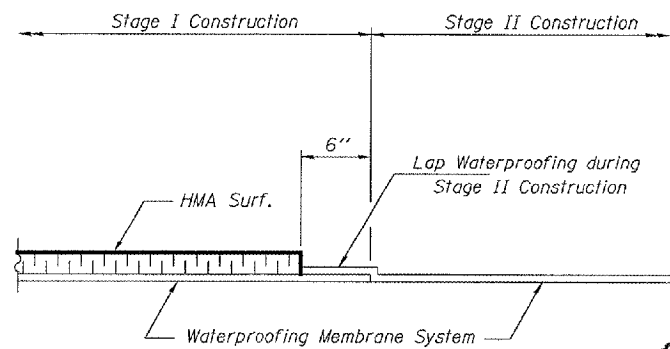


PLAN

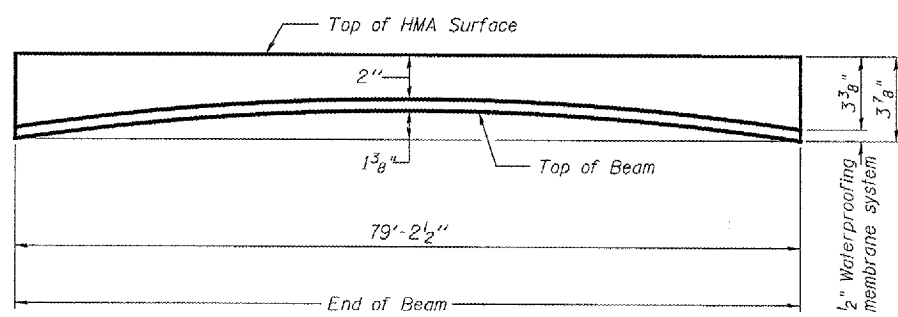
Existing tie rod to be cut. See detail this sheet. (Typ.)

DESIGN STRESSES

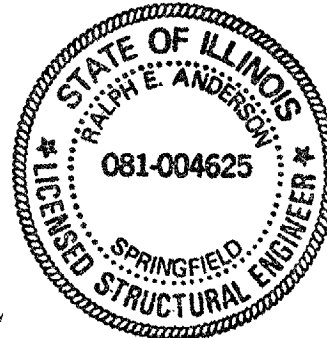
PRECAST PRESTRESSED UNITS
 $f'c = 5,000$ psi
 $f'ci = 4,000$ psi
 $f's = 270,000$ psi ($1/2$ " ϕ low lax strands)
 $f'si = 201,960$ psi ($1/2$ " ϕ low lax strands)



**WATERPROOFING TREATMENT
AT STAGE CONSTRUCTION**



ANTICIPATED INITIAL CAMBER DIAGRAM



DESIGNED <i>Adrian i. Hallaway</i>	FEBRUARY 25, 2008
CHECKED <i>[Signature]</i>	EXAMINED <i>[Signature]</i>
DRAWN <i>Steffen</i>	PASSED <i>[Signature]</i>
CHECKED <i>ATH</i>	<i>[Signature]</i>

EXPIRES 11-30-2008

**PLAN & ELEVATION
SBI RT. 78
FULTON COUNTY
SN 029-0018**